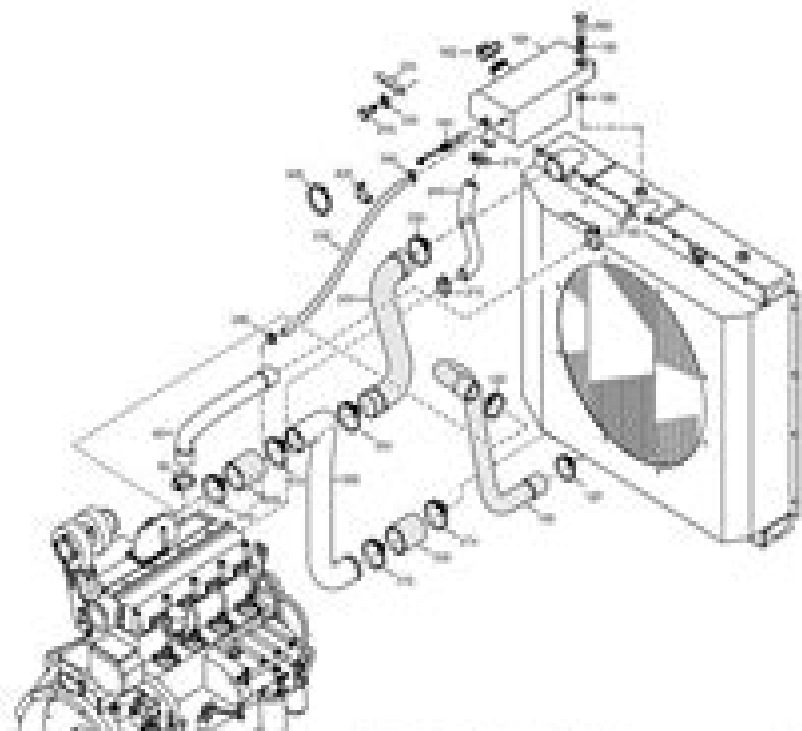


STANDARD

FRONT LOADING



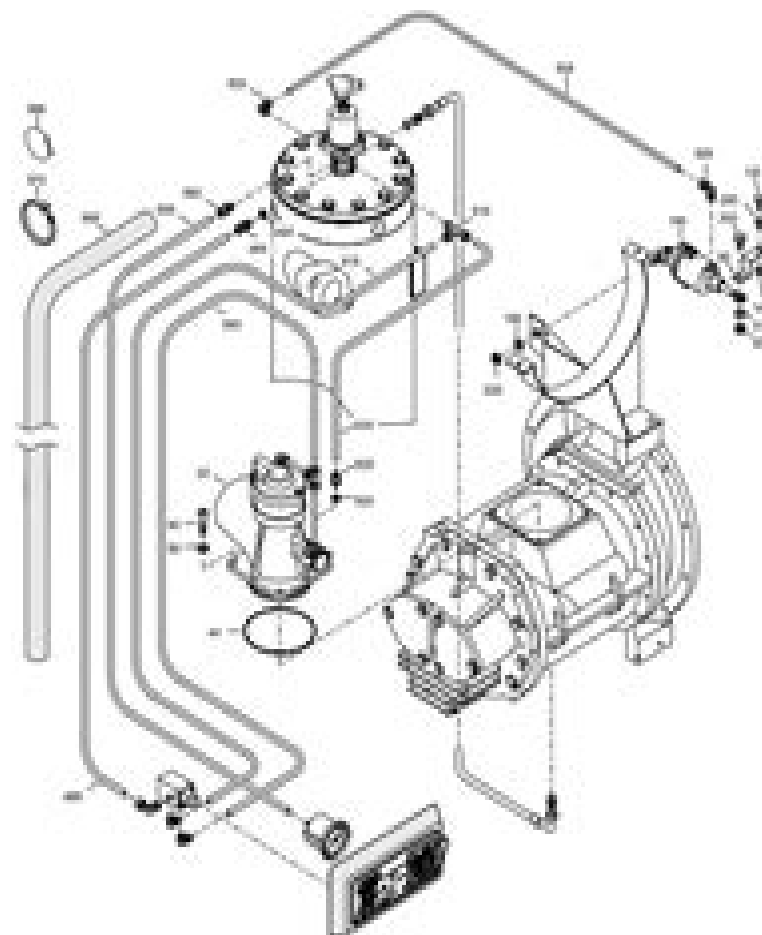
REF.	REF. NUMBER	DESCRIPTION	QTY	REF.	REF. NUMBER	DESCRIPTION	QTY
01	100 0110 01	BOX	1	30	107 010 01	WIRE CLAMP	1
02	107 010 01	WIRE CLAMP	1	31	101 000 01	BRACKET	1
03	100 0114 01	WIRE	1	32	100 100 01	CABLE TIE	1
04	107 010 01	WIRE CLAMP	1				
05	100 0100 01	TOPWALL	1				
06	101 0010 01	Adjustable Pad	1				
07	100 0100 01	LEVEL VEHICLE	1				
08	100 1000 01	FLAT WASHER	1				
09	100 0100 01	WATER HOSE	1				
10	100 0100 01	WIRE	1				
11	107 010 01	WIRE CLAMP	1				
12	107 010 01	WIRE CLAMP	1				
13	107 100 01	WIRE BRACKET	1				
14	100 1000 01	LOCK WASHER	1				
15	100 0000 01	BRACKET	1				
16	075 000 01	FLAT WASH	1				
17	107 010 01	WIRE CLAMP	1				
18	100 0100 01	WIRE	1				
19	107 010 01	WIRE CLAMP	1				
20	100 0100 01	WIRE	1				
21	107 010 01	WIRE CLAMP	1				
22	100 0100 01	WIRE	1				
23	107 010 01	WIRE CLAMP	1				
24	100 0100 01	WIRE INTERCOOLER	1				

REF. 100 1000 01

10

STANDARD

INSULATED SYSTEM



10

REF. 100 1000 01

Atlas Copco Manual

CO Houle



Atlas Copco Manual:

Atlas Copco Manual Atlas Copco AB.,1993 *Atlas Copco Manual* Atlas Copco MCT AB.,1978 **Atlas Copco** ,1979
Atlas Copco Manual ,1971 Atlas Copco manual Torngny Rogert,S. Bertil Andersson,1975 **Atlas Copco Manual** t.
editor Rogert,1975 *Atlas Copco Manual* ,1978 *Compressed Air Manual* Atlas Copco Compressor AB,1998 Drilling
and Blasting of Rocks E. Lopez Jimeno,C. Lopez Jimino,Ayala Carcedo,1995-01-01 Rock breakage with explosives has existed
since the seventeenth century when black powder came into use in mining Since then it has progressed from the invention of
dynamite to the use of heavy ANFO During the past two decades there have been numerous technical contributions which
have brought a better understanding of rock fragmentation with explosives an improvement in drilling equipment and a
noticeable evolution in the development of new explosives and blasting accessories The Geomining Technological Institute of
Spain ITCE aware of this progress and of the importance which the breakage process has acquired in mining and civil
engineering projects has ordered the publication of Drilling and Blasting of Rocks The purpose of this Handbook is to give
basic knowledge of the drilling systems the types of available explosives and the accessories and the parameters that
intervene in blast designing whether controllable or not at the same time the objectives and contents contribute to improved
safety in mining The Handbook is meant for all professionals who are involved with explosives in mining operations and civil
engineering projects as well as for students of technical schools *Atlas Copco Air Compressor - Blg 16 Operation Manual* J.
B. Hopkinson,1962 Mining and Rock Construction Technology Desk Reference Agne Rustan,Claude Cunningham,William
Fourney,Alex Spathis,K.R.Y. Simha,2010-11-10 A comprehensive and illustrated desk reference with terms definitions
explanations abbreviations trade names quantifications units and symbols used in rock mechanics drilling and blasting Now
including rock mechanics as well this updated edition presents 5127 terms 637 symbols 507 references 236 acronyms 108
formulas 68 figures 47 ta **Compressor Installation Manual** ,1967 **Innovation and the Rise of the Tunnelling
Industry** Graham West,2005-06-30 This book studies the historical development of the tunnelling industry detailing it s
technical innovations Index of Technical Publications United States. Department of the Army,1977 **Manual** Atlas
Copco ab,1982 *Fish Rearing Manual* ,1981 CIM Bulletin Canadian Institute of Mining and Metallurgy,Canadian
Institute of Mining, Metallurgy and Petroleum,1972-07 *Manual* ,1982 *Civil Engineering* ,1979 The Compressor
Plant Atlas Copco (Stockholm),1953

Adopting the Melody of Expression: An Emotional Symphony within **Atlas Copco Manual**

In a world consumed by screens and the ceaseless chatter of fast communication, the melodic elegance and emotional symphony developed by the written word often fade in to the background, eclipsed by the persistent noise and interruptions that permeate our lives. Nevertheless, nestled within the pages of **Atlas Copco Manual** a wonderful literary prize full of natural thoughts, lies an immersive symphony waiting to be embraced. Crafted by a wonderful musician of language, that charming masterpiece conducts visitors on a mental journey, well unraveling the hidden melodies and profound impact resonating within each cautiously constructed phrase. Within the depths of the emotional assessment, we can examine the book is key harmonies, analyze its enthralling writing model, and submit ourselves to the profound resonance that echoes in the depths of readers souls.

<https://netdata.businesstraveller.com/data/publication/index.jsp/1999%20Bmw%20K1200lt%20Factory%20Service%20Repair%20Manual.pdf>

Table of Contents Atlas Copco Manual

1. Understanding the eBook Atlas Copco Manual
 - The Rise of Digital Reading Atlas Copco Manual
 - Advantages of eBooks Over Traditional Books
2. Identifying Atlas Copco Manual
 - Exploring Different Genres
 - Considering Fiction vs. Non-Fiction
 - Determining Your Reading Goals
3. Choosing the Right eBook Platform
 - Popular eBook Platforms
 - Features to Look for in an Atlas Copco Manual
 - User-Friendly Interface
4. Exploring eBook Recommendations from Atlas Copco Manual

- Personalized Recommendations
- Atlas Copco Manual User Reviews and Ratings
- Atlas Copco Manual and Bestseller Lists
- 5. Accessing Atlas Copco Manual Free and Paid eBooks
 - Atlas Copco Manual Public Domain eBooks
 - Atlas Copco Manual eBook Subscription Services
 - Atlas Copco Manual Budget-Friendly Options
- 6. Navigating Atlas Copco Manual eBook Formats
 - ePub, PDF, MOBI, and More
 - Atlas Copco Manual Compatibility with Devices
 - Atlas Copco Manual Enhanced eBook Features
- 7. Enhancing Your Reading Experience
 - Adjustable Fonts and Text Sizes of Atlas Copco Manual
 - Highlighting and Note-Taking Atlas Copco Manual
 - Interactive Elements Atlas Copco Manual
- 8. Staying Engaged with Atlas Copco Manual
 - Joining Online Reading Communities
 - Participating in Virtual Book Clubs
 - Following Authors and Publishers Atlas Copco Manual
- 9. Balancing eBooks and Physical Books Atlas Copco Manual
 - Benefits of a Digital Library
 - Creating a Diverse Reading Collection Atlas Copco Manual
- 10. Overcoming Reading Challenges
 - Dealing with Digital Eye Strain
 - Minimizing Distractions
 - Managing Screen Time
- 11. Cultivating a Reading Routine Atlas Copco Manual
 - Setting Reading Goals Atlas Copco Manual
 - Carving Out Dedicated Reading Time
- 12. Sourcing Reliable Information of Atlas Copco Manual

- Fact-Checking eBook Content of Atlas Copco Manual
 - Distinguishing Credible Sources
13. Promoting Lifelong Learning
- Utilizing eBooks for Skill Development
 - Exploring Educational eBooks
14. Embracing eBook Trends
- Integration of Multimedia Elements
 - Interactive and Gamified eBooks

Atlas Copco Manual Introduction

In the digital age, access to information has become easier than ever before. The ability to download Atlas Copco Manual has revolutionized the way we consume written content. Whether you are a student looking for course material, an avid reader searching for your next favorite book, or a professional seeking research papers, the option to download Atlas Copco Manual has opened up a world of possibilities. Downloading Atlas Copco Manual provides numerous advantages over physical copies of books and documents. Firstly, it is incredibly convenient. Gone are the days of carrying around heavy textbooks or bulky folders filled with papers. With the click of a button, you can gain immediate access to valuable resources on any device. This convenience allows for efficient studying, researching, and reading on the go. Moreover, the cost-effective nature of downloading Atlas Copco Manual has democratized knowledge. Traditional books and academic journals can be expensive, making it difficult for individuals with limited financial resources to access information. By offering free PDF downloads, publishers and authors are enabling a wider audience to benefit from their work. This inclusivity promotes equal opportunities for learning and personal growth. There are numerous websites and platforms where individuals can download Atlas Copco Manual. These websites range from academic databases offering research papers and journals to online libraries with an expansive collection of books from various genres. Many authors and publishers also upload their work to specific websites, granting readers access to their content without any charge. These platforms not only provide access to existing literature but also serve as an excellent platform for undiscovered authors to share their work with the world. However, it is essential to be cautious while downloading Atlas Copco Manual. Some websites may offer pirated or illegally obtained copies of copyrighted material. Engaging in such activities not only violates copyright laws but also undermines the efforts of authors, publishers, and researchers. To ensure ethical downloading, it is advisable to utilize reputable websites that prioritize the legal distribution of content. When downloading Atlas Copco Manual, users should also consider the potential security risks associated with online platforms. Malicious actors may exploit vulnerabilities in unprotected websites to

distribute malware or steal personal information. To protect themselves, individuals should ensure their devices have reliable antivirus software installed and validate the legitimacy of the websites they are downloading from. In conclusion, the ability to download Atlas Copco Manual has transformed the way we access information. With the convenience, cost-effectiveness, and accessibility it offers, free PDF downloads have become a popular choice for students, researchers, and book lovers worldwide. However, it is crucial to engage in ethical downloading practices and prioritize personal security when utilizing online platforms. By doing so, individuals can make the most of the vast array of free PDF resources available and embark on a journey of continuous learning and intellectual growth.

FAQs About Atlas Copco Manual Books

1. Where can I buy Atlas Copco Manual books? Bookstores: Physical bookstores like Barnes & Noble, Waterstones, and independent local stores. Online Retailers: Amazon, Book Depository, and various online bookstores offer a wide range of books in physical and digital formats.
2. What are the different book formats available? Hardcover: Sturdy and durable, usually more expensive. Paperback: Cheaper, lighter, and more portable than hardcovers. E-books: Digital books available for e-readers like Kindle or software like Apple Books, Kindle, and Google Play Books.
3. How do I choose a Atlas Copco Manual book to read? Genres: Consider the genre you enjoy (fiction, non-fiction, mystery, sci-fi, etc.). Recommendations: Ask friends, join book clubs, or explore online reviews and recommendations. Author: If you like a particular author, you might enjoy more of their work.
4. How do I take care of Atlas Copco Manual books? Storage: Keep them away from direct sunlight and in a dry environment. Handling: Avoid folding pages, use bookmarks, and handle them with clean hands. Cleaning: Gently dust the covers and pages occasionally.
5. Can I borrow books without buying them? Public Libraries: Local libraries offer a wide range of books for borrowing. Book Swaps: Community book exchanges or online platforms where people exchange books.
6. How can I track my reading progress or manage my book collection? Book Tracking Apps: Goodreads, LibraryThing, and Book Catalogue are popular apps for tracking your reading progress and managing book collections. Spreadsheets: You can create your own spreadsheet to track books read, ratings, and other details.
7. What are Atlas Copco Manual audiobooks, and where can I find them? Audiobooks: Audio recordings of books, perfect for listening while commuting or multitasking. Platforms: Audible, LibriVox, and Google Play Books offer a wide

selection of audiobooks.

8. How do I support authors or the book industry? Buy Books: Purchase books from authors or independent bookstores. Reviews: Leave reviews on platforms like Goodreads or Amazon. Promotion: Share your favorite books on social media or recommend them to friends.
9. Are there book clubs or reading communities I can join? Local Clubs: Check for local book clubs in libraries or community centers. Online Communities: Platforms like Goodreads have virtual book clubs and discussion groups.
10. Can I read Atlas Copco Manual books for free? Public Domain Books: Many classic books are available for free as they're in the public domain. Free E-books: Some websites offer free e-books legally, like Project Gutenberg or Open Library.

Find Atlas Copco Manual :

1999 bmw k1200lt factory service repair manual

1998 yamaha 30 mshw outboard service repair maintenance manual factory

1999 acura tl floor mats manual

~~*1999 alfa romeo 156 manual*~~

1998 mercedes c230 service repair manual 98

1998 opel astra g service manual

1999 bayliner ciera 3055 owners manual

1998 yamaha 15mshw outboard service repair maintenance manual factory

~~*1998 seadoo xp limited service manua*~~

1998 mercedes sl500 manual

1999 125 hp mercury outboard service manual

1999 acura cl owners manual pd

1998 polaris xplorer 400 repair manual

1999 dodge neon parts user manual

1999 audi a4 power steering reservoir manua

Atlas Copco Manual :

eugene onegin a novel in verse pushkin alexander falen james e - Dec 08 2022

web pushkin s masterpiece eugene onegin a novel in verse tells the intersecting stories of three men and three women in the russia of the 1820s showcasing its author s wit and intelligence throughout his engaging and suspenseful narrative

[eugene onegin a novel in verse penguin classics amazon es](#) - Nov 07 2022

web eugene onegin a novel in verse penguin classics tapa blanda 25 noviembre 2008 edición en inglés de alexander pushkin autor stanley mitchell escritor de borradores introducción traductor

[eugene onegin a novel in verse alexander pushkin google](#) - Mar 11 2023

web sep 10 1998 eugene onegin is the master work of the poet whom russians regard as the fountainhead of their literature set in 1820s imperial russia pushkin s novel in verse follows the emotions and destiny of three men onegin the bored fop lensky the minor elegiast and a stylized pushkin himself and the fates and affections of three women

eugene onegin penguin classics amazon com - May 13 2023

web nov 25 2008 eugene onegin penguin classics pushkin alexander mitchell stanley mitchell stanley mitchell stanley 9780140448108 amazon com books books literature fiction poetry enjoy fast free delivery exclusive deals and award winning movies tv shows with prime try prime and start saving today with fast free delivery buy

[eugene onegin a novel in verse oxford world s classics](#) - Feb 27 2022

web pushkin s masterpiece eugene onegin a novel in verse tells the intersecting stories of three men and three women in the russia of the 1820s showcasing its author s wit and intelligence throughout his engaging and suspenseful narrative russian language purists argue that this classic should be read only in its original tongue but this

eugene onegin a novel in verse oxford world s classics - May 01 2022

web buy eugene onegin a novel in verse oxford world s classics new by pushkin alexander falen james e isbn 9780192838995 from amazon s book store everyday low prices and free delivery on eligible orders

eugene onegin a novel in verse google books - Jun 14 2023

web jan 29 2009 set in 1820s imperial russia pushkin s novel in verse follows the emotions and destiny of three men onegin the bored fop lensky the minor elegiast and a stylized pushkin himself and

eugene onegin a novel in verse penguin classics e michael - Mar 31 2022

web eugene onegin aleksandr pushkin 2021 02 26 eugene onegin is one of the most popular russian classics of all time written in verse it is pushkin s answer to the byronic hero in england and further elevates pushkin as the best russian poet a bored rich nobleman comes to rural russia where he meets a young woman with whom he falls in

eugene onegin a novel in verse vol 1 goodreads - Jan 29 2022

web set in imperial russia during the 1820s pushkin s novel in verse follows the emotions and destiny of three men onegin the bored fop lensky the minor elegiast a stylized pushkin himself and the fates and affections of three women tatyana the

provincial beauty her sister olga pushkin s mercurial muse

[eugene onegin a novel in verse amazon com](#) - Sep 05 2022

web set in 1820s russia pushkin s novel in verse follows the fates of three men and three women it was pushkin s own favourite work and this new translation conveys the literal sense and the poetic music of the original eugene onegin is the master work of the poet whom russians regard as the fountainhead of their literature set in 1820s

[eugene onegin a novel in verse in two volumes](#) - Oct 06 2022

web dec 21 1981 eugene onegin a novel in verse in two volumes princeton bollingen paperbacks pushkin aleksandr nabokov vladimir on amazon com free shipping on qualifying offers eugene onegin a novel in verse in two volumes princeton bollingen paperbacks eugene onegin penguin classics alexander

eugene onegin a novel in verse oxford world s classics - Apr 12 2023

web mar 25 2009 pushkin s masterpiece eugene onegin a novel in verse tells the intersecting stories of three men and three women in the russia of the 1820s showcasing its author s wit and intelligence throughout his engaging and suspenseful narrative russian language purists argue that this classic should be read only in its original tongue but this

buy eugene onegin a novel in verse penguin classics - Jul 03 2022

web amazon in buy eugene onegin a novel in verse penguin classics alexander pushkin book online at best prices in india on amazon in read eugene onegin a novel in verse penguin classics alexander pushkin book reviews author details and more at amazon in free delivery on qualified orders

[eugene onegin a novel in verse amazon com tr](#) - Aug 16 2023

web eugene onegin is the master work of the poet whom russians regard as the fountainhead of their literature set in 1820s russia pushkin s verse novel follows the fates of three men and three women

eugene oneguine onegin by aleksandr sergeevich pushkin - Aug 04 2022

web dec 27 2007 eugene oneguine onegin a romance of russian life in verse language english loc class pg language and literatures slavic including russian languages and literature subject russia social life and customs fiction subject novels in verse category text ebook no 23997 release date dec 27 2007 copyright status public

eugene onegin a novel in verse penguin classics english - Jun 02 2022

web compre eugene onegin a novel in verse penguin classics english edition de pushkin alexander mitchell stanley mitchell stanley na amazon com br confira também os ebooks mais vendidos lançamentos e livros digitais exclusivos

[eugene onegin a novel in verse penguin classics](#) - Jul 15 2023

web sep 4 2008 eugene onegin a novel in verse penguin classics kindle edition by pushkin alexander mitchell stanley mitchell stanley download it once and read it on your kindle device pc phones or tablets use features like bookmarks note

taking and highlighting while reading eugene onegin a novel in verse penguin classics

eugene onegin a novel in verse penguin classics e alexander - Dec 28 2021

web you may not be perplexed to enjoy all books collections eugene onegin a novel in verse penguin classics e that we will categorically offer it is not not far off from the costs its virtually what you obsession currently this eugene onegin a novel in verse penguin classics e as one of the most functional sellers

eugene onegin a novel in verse text vol 1 google books - Jan 09 2023

web jul 31 2018 nabokov s eugene onegin remains the most famous and frequently cited english language version of the most celebrated poem in russian literature a translation that reflects a lifelong admiration of pushkin on the part of one of the twentieth century s most brilliant writers

eugene onegin a novel in verse penguin classics - Feb 10 2023

web eugene onegin a novel in verse penguin classics mitchell stanley pushkin alexander mitchell stanley isbn 9780140448108 kostenloser versand für alle bücher mit versand und verkauf duch amazon

sample level 3 example questions hakiaccess com - Feb 27 2023

web rope manoeuvres 20 what should the overall minimum strength requirement of a rope access anchor system be when rigging a set of rope for descent icop part 2 2 11 2 6 2 11 2 9 2 11 2 10 climbing techniques rope rescues 21 detail five key safety factors when considering lead climbing as a method of access icop part 3 annex l l 3

what is rope access flyability - Sep 24 2022

web the primary purpose of ropes access is to enable workers to access difficult to reach locations without scaffolding cradles or aerial platforms a rope access technician will use ropes to descend ascend or traverse ropes while held in place by a harness and sometimes a rope access work seat as well rope access first came into use for

rope access questions answers book - Aug 24 2022

web rope access questions answers 1 001 asvab practice questions for dummies access code card 1 year online subscription aug 16 2021 your tactical guide to maximizing your asvab score want to score higher on the asvab purchasing this access code card gives you a one year renewable online subscription to 1 001 asvab

vision rope access services interview questions ambitionbox - Feb 15 2022

web apr 18 2023 vision rope access services interview questions and answers interview rounds and process 2023 gd topics test pattern shared by employees and candidates

faqs irata international - Jan 29 2023

web faqs find answers to the most frequently asked questions about all things technician related including who can sign your irata logbook how to become an irata qualified instructor and how you can order replacement documentation training

sample level 3 theory questions sja it services - Jun 21 2022

web sample level 3 theory questions form 009r 01 06 1 of 1 association house 99 west street tel 44 0 1252 739150 fax 44 0
list four situations where the loading of the equipment or system used for rope access could exceed one person i e beyond
normal deployment 4 what is the swl of a sewn tape sling with a breaking load of 25kn

rope access level 1 flashcards quizlet - Oct 06 2023

web a component of the access work plan which identifies hazards the hazard mitigation methods and outlines requirements
to promptly rescue the rope access worker study with quizlet and memorize flashcards containing terms like access work
plan jha access zone anchor anchorage and more

rope access wikipedia - Oct 26 2022

web rope access or industrial climbing or commercial climbing is a form of work positioning initially developed from
techniques used in climbing and caving which applies practical ropework to allow workers to access difficult to reach
locations without the use of

rope access logbook questions and answers pacific ropes - Jun 02 2023

web what happens if i lose my logbook what if there is no l3 to sign my logbook click here to get the answers to all your
questions on rope access logbooks

sample level 3 theory questions rope access - Jul 03 2023

web 1 what are the five steps to risk assessment 2 if the first is to avoid the hazard summarise hierarchy of measures as
stated in the work at height regulations 2005 regulation 6 avoidance of risks from work at height 3 what information should
be available on site as recommended by the irata icop 4

step by step guide irata international - Mar 31 2023

web irata technicians are required to take re validation training and assessment every three years to ensure that they remain
current and maintain safe working practices rope access technicians not engaged in rope access work for 180 days or

17 rope access technician interview questions and answers - Aug 04 2023

web jul 22 2022 interview 17 rope access technician interview questions and answers learn what skills and qualities
interviewers are looking for from a rope access technician what questions you can expect and how you should go about
answering them interview insights published jul 22 2022

global rope access interview questions answers 2023 - May 21 2022

web global rope access interview questions and answers interview rounds and process 2023 gd topics test pattern shared by
employees and candidates

irata theory questions l1 pacific ropes - May 01 2023

web 1 what does irata stand for a international rope access trade association b industrial rope access trade association c international rope access training association d industrial rope access training association 2

50 rope access industry questions linkedin - Dec 28 2022

web jun 29 2022 6 is a person on ground necessary this depends on the job and if you climb up or down 7 how long time does it take to be irata certified it takes around one week to be trained this includes

rope access interview questions glassdoor - Apr 19 2022

web oct 27 2021 3 rope access interview questions learn about interview questions and interview process for 3 companies

30 rope access technician interview questions and answers - Sep 05 2023

web sep 29 2023 30 rope access technician interview questions and answers 1 can you detail your experience with different rope access techniques as a rope access technician you ll be required 2 how do you ensure your safety and the safety of others while working at height safety is a top priority in any

what is rope access keltic falcon rope access experts - Jul 23 2022

web what is rope access rope access refers to a set of techniques where ropes and specialized hardware are used as the primary means of providing access and support to workers generally a two rope system is employed the working rope supports the worker and the safety rope provides back up fall protection why use rope access modern

rope access solutions interview questions answers hr - Mar 19 2022

web find best rope access solutions interview questions and answers for freshers and experienced these questions can surely help in preparing for rope access solutions interview or job this page contains the most recently asked technical questions and answers in the rope access solutions

take a free irata rope access level 1 exam practice test - Nov 26 2022

web jul 31 2023 for irata certification candidates must pass a written exam an oral exam and practical exams given by independent irata assessors or sprat evaluators here you can take free practice tests of the aws cwi cswip asnt ndt asme nace ampp and api exams with the latest questions and answers

eshowe umfolozicollege co za - Jul 02 2022

web umfolozi tvet college is one of 9 public technical and vocational education training tvet colleges in the province of kwazulu natal and one of only 50 in the country the college has 8 main campuses chief albert luthuli eshowe esikhawini mandeni and richtek sundumbili isithebe bambanana and nkandla in addition 6 skills centres

plant operation theory n3 question paper - Aug 03 2022

web ebook title plant operation theory n3 question paper read plant operation theory n3 question paper pdf on your android iphone ipad or pc directly the following pdf file is submitted in 10 apr 2020 ebook id

[past exam paper memo n3 engineering n1 n6 past papers](#) - Apr 11 2023

web plant operation theory n3 11040023 4 april 2017 x paper 09 00 12 00 this question paper consists of 5 pages 1 steam table and 1 formula sheet department of higher education and training republic of south africa national certificate plant operation theory n3 time 3 hours marks 100

[plant operation theory n3 question papers pdf filler](#) - Mar 10 2023

web 02 provide details about the specific plant operation including the name and location of the plant the type of operation being conducted and any relevant permits or licenses 03 fill in the date and time of the operation as well as the expected duration 04

plant operation theory n3 question papers form signnow - Oct 05 2022

web quick steps to complete and e sign plant operation theory n3 study guide pdf online use get form or simply click on the template preview to open it in the editor start completing the fillable fields and carefully type in required information

[n3 plant operation theory hardcopy hybridlearning co za](#) - Nov 06 2022

web n3 plant operation theory hardcopy n3 format 204 pages modules chemistry of polymerisation catalysts combustion gasification of coal coking transfer of heat heat transfer in liquids heat exchangers thermal insulation pumps compression compressors instrumentation control systems past examination papers

plant operation theory n3 past papers study guides and notes - Aug 15 2023

web may 30 2022 find plant operation theory n3 previous exam question papers with memorandums for answers 2022 2021 2020 2019 and more prescribed textbooks and study guides most of the resources are in pdf format for easy download

[plant operation theory n3 previous question papers 2023](#) - Dec 27 2021

web plant operation theory n3 previous question papers arithmetic tales sep 29 2021 this textbook covers a wide array of topics in analytic and multiplicative number theory suitable for graduate level courses extensively revised and extended this advanced edition takes a deeper dive into the subject with the

[plant operation theory n3 ams istanbul edu tr](#) - Sep 04 2022

web n3 chapter 3 booklection comon this page you can read or download plant operation theory n3 exams question papers in pdf format if you don t see any interesting for you use our search form on bottom plant operation theory n3 exams question papers joomlaxe2015 plant operation theory and question paper august n3 is additionally

[plant operation theory n3 ams istanbul edu tr](#) - Feb 09 2023

web theory n3 previous question papers pdf n3 plant operation theory hardcopy n3 format 204 pages modules chemistry of polymerisation catalysts combustion gasification of coal coking transfer of heat heat transfer in liquids heat exchangers thermal insulation pumps compression

[plant operation theory n3 question paper - Jun 01 2022](#)

web plant operation theory n3 question paper this is likewise one of the factors by obtaining the soft documents of this plant operation theory n3 question paper by online you might not require more grow old to spend to go to the books start as without difficulty as search for them in some cases you likewise attain not discover the broadcast

[plant operation theory n3 previous question papers copy - Apr 30 2022](#)

web may 31 2023 plant operation theory n3 exams question papers joomlaxe plant operation theory n3 past exam papers download plant operation theory n3 past exam papers document

free plant operation theory n3 question paper - Jan 28 2022

web plant operation theory n3 question paper jan 27 2021 oswaal jee main chapterwise topicwise solved papers 2019 2023 question banks physics chemistry mathematics set of 3 books for 2024 exam mar 21 2023 solutions to deep questions jul 25 2023 unified field theory was an expression first used by einstein

plant operation theory past exam papers and memos mytvvet - May 12 2023

web plant operation theory plant operation theory n1 n3 past exam papers and memos from the year 2015 to the latest paper n1 n2 n3 2023 new plant operation theory n1 apr

download free plant operation theory n3 previous question papers - Feb 26 2022

web aug 29 2023 net jrf paper 1 and paper 2 net jrf paper i and paper ii teaching and research aptitude paper 1 paper i net jrf exam guide manual books net jrf previous year questions mcq description of the product crisp revision with concept wise revision

plant operation theory n3 question paper 2022 db mwpai - Mar 30 2022

web 2 plant operation theory n3 question paper 2022 02 28 problem each new concept is clearly and briefly described whenever possible by relating it to previous topics then the student is given carefully chosen examples to deepen understanding of the basic ideas and how they are applied in engineering the examples and case studies are taken from

chemical plant operation past exam papers and memos mytvvet - Jan 08 2023

web chemical plant operation n4 n6 past exam papers and memos from the year 2015 to the latest paper n4 n5 n6 chemical plant operation n3 apr aug nov 2018 chemical plant operation n3 r15 00 per question paper download

plant operation theory tvet exam papers - Jul 14 2023

web download plant operation theory previous question papers our apps tvet exam download plant operation theory past exam papers and memos from 2005 to 2020 plant operation theory n1 plant operation theory n3 2019 april qp memo august qp memo november

read free plant operation theory n3 - Dec 07 2022

web web exam papers plant operation theory n3 the steel and metal digest apr 14 2020 bleach plant operations mar 06 2022
addressing modern process plant operations in an easy to understand format this comprehensive book sources plant
operation theory n3 previous question papers feb 07 2022

plant operation theory n3 ekurhuleni technical college - Jun 13 2023

web plant operation theory n3 11040023 25 august 2021 x paper 09 00 12 00 drawing instruments and nonprogrammable
calculators may be used this question paper consists of 4 pages and 1 formula sheet 158q1g2102 please turn over
department of higher education and training republic of south africa