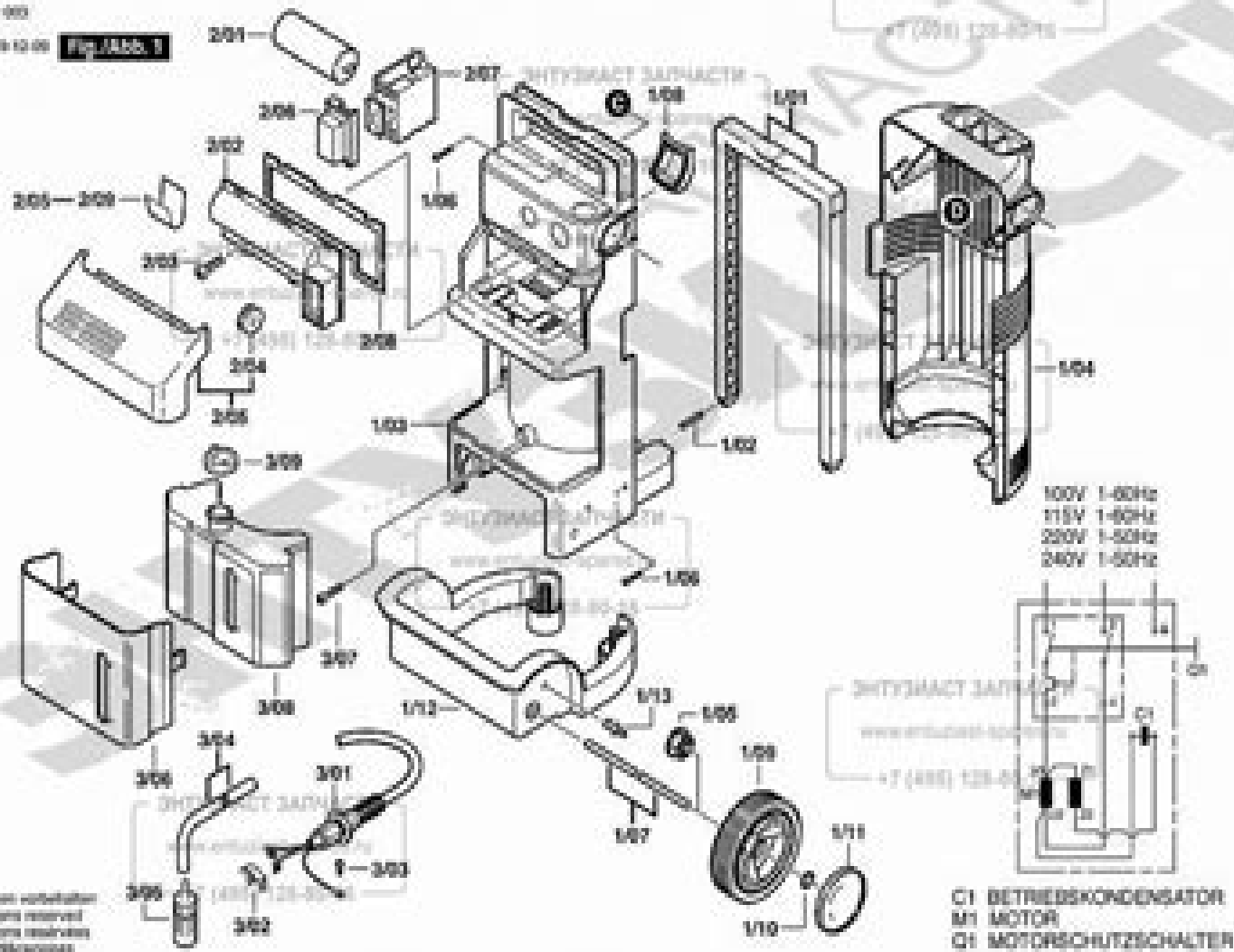


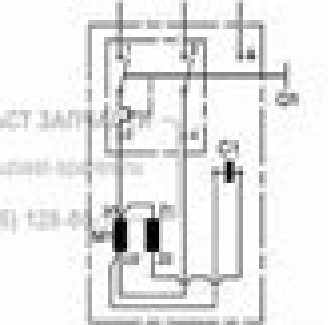
ЭЛЕМЕНТ ЗАПЧАСТИ
www.bosch-pt.com
+7 (495) 120-80-10

ЭЛЕМЕНТ ЗАПЧАСТИ
www.bosch-pt.com
+7 (495) 120-80-10

0 600 809 003
09-10-09 **Fig./Abb. 1**



100V 1-60Hz
115V 1-60Hz
200V 1-50Hz
240V 1-50Hz



C1 BETRIEBSKONDENSATOR
M1 MOTOR
Q1 MOTORSCHUTZSCHALTER

Änderungen vorbehalten
Modifications reserved
Modificaciones reservadas
Bauw. modifikace

Bosch Ahr 15pressure Washer Manual



Bosch

Bosch Ahr 15pressure Washer Manual:

Washing Machine WFR2860 and WFR2460 Bosch,2001 The text provides user instructions for a Bosch washing machine

This is likewise one of the factors by obtaining the soft documents of this **Bosch Ahr 15pressure Washer Manual** by online. You might not require more era to spend to go to the book instigation as skillfully as search for them. In some cases, you likewise complete not discover the declaration Bosch Ahr 15pressure Washer Manual that you are looking for. It will completely squander the time.

However below, gone you visit this web page, it will be thus agreed easy to acquire as with ease as download lead Bosch Ahr 15pressure Washer Manual

It will not allow many grow old as we tell before. You can attain it while fake something else at house and even in your workplace. appropriately easy! So, are you question? Just exercise just what we give below as skillfully as review **Bosch Ahr 15pressure Washer Manual** what you past to read!

https://netdata.businessstraveller.com/data/scholarship/fetch.php/zenji_love_everyone.pdf

Table of Contents Bosch Ahr 15pressure Washer Manual

1. Understanding the eBook Bosch Ahr 15pressure Washer Manual
 - The Rise of Digital Reading Bosch Ahr 15pressure Washer Manual
 - Advantages of eBooks Over Traditional Books
2. Identifying Bosch Ahr 15pressure Washer Manual
 - Exploring Different Genres
 - Considering Fiction vs. Non-Fiction
 - Determining Your Reading Goals
3. Choosing the Right eBook Platform
 - Popular eBook Platforms
 - Features to Look for in an Bosch Ahr 15pressure Washer Manual
 - User-Friendly Interface
4. Exploring eBook Recommendations from Bosch Ahr 15pressure Washer Manual

- Personalized Recommendations
 - Bosch Ahr 15pressure Washer Manual User Reviews and Ratings
 - Bosch Ahr 15pressure Washer Manual and Bestseller Lists
5. Accessing Bosch Ahr 15pressure Washer Manual Free and Paid eBooks
 - Bosch Ahr 15pressure Washer Manual Public Domain eBooks
 - Bosch Ahr 15pressure Washer Manual eBook Subscription Services
 - Bosch Ahr 15pressure Washer Manual Budget-Friendly Options
 6. Navigating Bosch Ahr 15pressure Washer Manual eBook Formats
 - ePub, PDF, MOBI, and More
 - Bosch Ahr 15pressure Washer Manual Compatibility with Devices
 - Bosch Ahr 15pressure Washer Manual Enhanced eBook Features
 7. Enhancing Your Reading Experience
 - Adjustable Fonts and Text Sizes of Bosch Ahr 15pressure Washer Manual
 - Highlighting and Note-Taking Bosch Ahr 15pressure Washer Manual
 - Interactive Elements Bosch Ahr 15pressure Washer Manual
 8. Staying Engaged with Bosch Ahr 15pressure Washer Manual
 - Joining Online Reading Communities
 - Participating in Virtual Book Clubs
 - Following Authors and Publishers Bosch Ahr 15pressure Washer Manual
 9. Balancing eBooks and Physical Books Bosch Ahr 15pressure Washer Manual
 - Benefits of a Digital Library
 - Creating a Diverse Reading Collection Bosch Ahr 15pressure Washer Manual
 10. Overcoming Reading Challenges
 - Dealing with Digital Eye Strain
 - Minimizing Distractions
 - Managing Screen Time
 11. Cultivating a Reading Routine Bosch Ahr 15pressure Washer Manual
 - Setting Reading Goals Bosch Ahr 15pressure Washer Manual
 - Carving Out Dedicated Reading Time
 12. Sourcing Reliable Information of Bosch Ahr 15pressure Washer Manual

- Fact-Checking eBook Content of Bosch Ahr 15pressure Washer Manual
 - Distinguishing Credible Sources
13. Promoting Lifelong Learning
- Utilizing eBooks for Skill Development
 - Exploring Educational eBooks
14. Embracing eBook Trends
- Integration of Multimedia Elements
 - Interactive and Gamified eBooks

Bosch Ahr 15pressure Washer Manual Introduction

Free PDF Books and Manuals for Download: Unlocking Knowledge at Your Fingertips In today's fast-paced digital age, obtaining valuable knowledge has become easier than ever. Thanks to the internet, a vast array of books and manuals are now available for free download in PDF format. Whether you are a student, professional, or simply an avid reader, this treasure trove of downloadable resources offers a wealth of information, conveniently accessible anytime, anywhere. The advent of online libraries and platforms dedicated to sharing knowledge has revolutionized the way we consume information. No longer confined to physical libraries or bookstores, readers can now access an extensive collection of digital books and manuals with just a few clicks. These resources, available in PDF, Microsoft Word, and PowerPoint formats, cater to a wide range of interests, including literature, technology, science, history, and much more. One notable platform where you can explore and download free Bosch Ahr 15pressure Washer Manual PDF books and manuals is the internet's largest free library. Hosted online, this catalog compiles a vast assortment of documents, making it a veritable goldmine of knowledge. With its easy-to-use website interface and customizable PDF generator, this platform offers a user-friendly experience, allowing individuals to effortlessly navigate and access the information they seek. The availability of free PDF books and manuals on this platform demonstrates its commitment to democratizing education and empowering individuals with the tools needed to succeed in their chosen fields. It allows anyone, regardless of their background or financial limitations, to expand their horizons and gain insights from experts in various disciplines. One of the most significant advantages of downloading PDF books and manuals lies in their portability. Unlike physical copies, digital books can be stored and carried on a single device, such as a tablet or smartphone, saving valuable space and weight. This convenience makes it possible for readers to have their entire library at their fingertips, whether they are commuting, traveling, or simply enjoying a lazy afternoon at home. Additionally, digital files are easily searchable, enabling readers to locate specific information within seconds. With a few keystrokes, users can search for keywords, topics, or phrases, making research and finding relevant

information a breeze. This efficiency saves time and effort, streamlining the learning process and allowing individuals to focus on extracting the information they need. Furthermore, the availability of free PDF books and manuals fosters a culture of continuous learning. By removing financial barriers, more people can access educational resources and pursue lifelong learning, contributing to personal growth and professional development. This democratization of knowledge promotes intellectual curiosity and empowers individuals to become lifelong learners, promoting progress and innovation in various fields. It is worth noting that while accessing free Bosch Ahr 15pressure Washer Manual PDF books and manuals is convenient and cost-effective, it is vital to respect copyright laws and intellectual property rights. Platforms offering free downloads often operate within legal boundaries, ensuring that the materials they provide are either in the public domain or authorized for distribution. By adhering to copyright laws, users can enjoy the benefits of free access to knowledge while supporting the authors and publishers who make these resources available. In conclusion, the availability of Bosch Ahr 15pressure Washer Manual free PDF books and manuals for download has revolutionized the way we access and consume knowledge. With just a few clicks, individuals can explore a vast collection of resources across different disciplines, all free of charge. This accessibility empowers individuals to become lifelong learners, contributing to personal growth, professional development, and the advancement of society as a whole. So why not unlock a world of knowledge today? Start exploring the vast sea of free PDF books and manuals waiting to be discovered right at your fingertips.

FAQs About Bosch Ahr 15pressure Washer Manual Books

1. Where can I buy Bosch Ahr 15pressure Washer Manual books? Bookstores: Physical bookstores like Barnes & Noble, Waterstones, and independent local stores. Online Retailers: Amazon, Book Depository, and various online bookstores offer a wide range of books in physical and digital formats.
2. What are the different book formats available? Hardcover: Sturdy and durable, usually more expensive. Paperback: Cheaper, lighter, and more portable than hardcovers. E-books: Digital books available for e-readers like Kindle or software like Apple Books, Kindle, and Google Play Books.
3. How do I choose a Bosch Ahr 15pressure Washer Manual book to read? Genres: Consider the genre you enjoy (fiction, non-fiction, mystery, sci-fi, etc.). Recommendations: Ask friends, join book clubs, or explore online reviews and recommendations. Author: If you like a particular author, you might enjoy more of their work.
4. How do I take care of Bosch Ahr 15pressure Washer Manual books? Storage: Keep them away from direct sunlight and in a dry environment. Handling: Avoid folding pages, use bookmarks, and handle them with clean hands. Cleaning:

Gently dust the covers and pages occasionally.

5. Can I borrow books without buying them? Public Libraries: Local libraries offer a wide range of books for borrowing. Book Swaps: Community book exchanges or online platforms where people exchange books.
6. How can I track my reading progress or manage my book collection? Book Tracking Apps: Goodreads, LibraryThing, and Book Catalogue are popular apps for tracking your reading progress and managing book collections. Spreadsheets: You can create your own spreadsheet to track books read, ratings, and other details.
7. What are Bosch Ahr 15pressure Washer Manual audiobooks, and where can I find them? Audiobooks: Audio recordings of books, perfect for listening while commuting or multitasking. Platforms: Audible, LibriVox, and Google Play Books offer a wide selection of audiobooks.
8. How do I support authors or the book industry? Buy Books: Purchase books from authors or independent bookstores. Reviews: Leave reviews on platforms like Goodreads or Amazon. Promotion: Share your favorite books on social media or recommend them to friends.
9. Are there book clubs or reading communities I can join? Local Clubs: Check for local book clubs in libraries or community centers. Online Communities: Platforms like Goodreads have virtual book clubs and discussion groups.
10. Can I read Bosch Ahr 15pressure Washer Manual books for free? Public Domain Books: Many classic books are available for free as they're in the public domain. Free E-books: Some websites offer free e-books legally, like Project Gutenberg or Open Library.

Find Bosch Ahr 15pressure Washer Manual :

zenji love everyone

~~osha manual physicians~~

1 001 series 7 exam practice questions for dummies

~~audi a6 manual repair~~

workshop manual for stihl ms 181 chainsaw

199mercedes e 320

how to survive and grow richer in the tough times ahead

~~be irresistible guide~~

~~mercruiser alpha one carburetor diagram~~

suzuki every landy manual transmission

[voltage stabilizer block diagram](#)

[4th grade sunday school lessons](#)

voltaire et la police

improved techniques for the extraction of primary forms of energy

manual alfa romeo 159 sw

Bosch Ahr 15pressure Washer Manual :

for the game playing for keeps book 2 english edi full pdf - Jul 24 2022

web for the game playing for keeps book 2 english edi families at play playing for real playing games or being played paid to play a beautiful game game usability start something that matters making school a game worth playing a world of excesses the games book seven games a human history

for the game playing for keeps book 2 english edi pdf - Sep 06 2023

web for the game playing for keeps book 2 english edi pdf is available in our book collection an online access to it is set as public so you can get it instantly our books collection spans in multiple countries allowing you to get the most

for the game playing for keeps book 2 english edi pdf - Sep 25 2022

web in the well played game games guru bernard de koven explores the interaction of play and games offering players as well as game designers educators and scholars a guide to how games work

for the game playing for keeps book 2 english edi lisa b - May 02 2023

web for the game playing for keeps book 2 english edi is available in our digital library an online access to it is set as public so you can get it instantly our books collection hosts in multiple locations allowing you to get the most less latency time to download any of our books like this one kindly say the for the game playing for keeps

for the game playing for keeps book 2 english edition by - Jul 04 2023

web playing for keeps the game book 2 series the game book 2 by emma hart adult from new york times and usa today bestselling author emma hart es the second book in the game series and the story everyone wanted after the love game she s in love with him he s trying not to love her when on facebook playing games my screen keeps

[for the game playing for keeps book 2 english edi pdf](#) - May 22 2022

web for the game playing for keeps book 2 english edi 1 for the game playing for keeps book 2 english edi game user experience and player centered design paid to play social exclusion power and video game play a world of excesses eurogames play to learn on the design of game playing agents gaming serious games how to play

playing for keeps 3 book series kindle edition amazon co uk - Feb 16 2022

web play with me play with me is a book 2 in the playing for keeps series a series of interconnected standalone mature hockey romance stories that contain lots of heat swoon laughs and a ride on an emotional rollercoaster each book can be read on its own but for the best reading experience reading in order is recommended

for the game playing for keeps book 2 english edi 2023 - Apr 20 2022

web 2 for the game playing for keeps book 2 english edi 2023 01 27 of the latest android apps games music movies tv books magazines more anytime anywhere across your devices games android apps on google playgamesgames com has a huge collection of fun games totally new ones

for the game playing for keeps book 2 english edi - Mar 20 2022

web play the game and more action games max games the game mind game wikipedia play tons of free online games gamesgames com how to play the game mind game wikihow play free online games free games arkadium play the game idioms by the free dictionary for the game playing for keeps book 2 english edi

playing for keeps book 2 playing the game duet kindle edition - Feb 28 2023

web apr 3 2018 delivering to lebanon 66952 choose location for most accurate options kindle store select the department you want to search in

for the game playing for keeps book 2 english edi lisa b - Apr 01 2023

web you could buy lead for the game playing for keeps book 2 english edi or get it as soon as feasible you could quickly download this for the game playing for keeps book 2 english edi after getting deal

for the game playing for keeps book 2 english edi download - Oct 27 2022

web for the game playing for keeps book 2 english edi 3 3 broadening the visual style of games has become increasingly sophisticated and the complexities of game play are ever more challenging meanwhile the iconography and generic forms of games are increasingly influencing a whole range of other media from films and television to books and

books similar to playing for keeps the game 2 goodreads - Nov 27 2022

web from new york times and usa today bestselling author emma hart comes the second book in the game series and the story everyone wanted after the love game she s in love with him he s trying no

for the game playing for keeps book 2 english edi lisa b - Jun 03 2023

web with an all new standalone novel if you like sexy confident men who know how to handle a stick on and off the ice and smart women who are strong enough to keep all those big egos in check this series is for you books can be enjoyed in any order playing for keeps david halberstam 2012 12 18 the pulitzer prize winning journalist

for the game playing for keeps book 2 english edi download - Aug 25 2022

web it is your definitely own time to feint reviewing habit along with guides you could enjoy now is for the game playing for

keeps book 2 english edi below for the game playing for keeps book 2 english edi 2022 04 16

loading interface goodreads - Jan 30 2023

web discover and share books you love on goodreads

for the game playing for keeps book 2 english edi pdf - Aug 05 2023

web mar 20 2023 for the game playing for keeps book 2 english edi 2 11 downloaded from uniport edu ng on march 20 2023

by guest obsessions and naked greed are exposed it s about the influence of big media the fans and the hype they subsist on the clash of ethics the terrible physical demands of modern sports from drugs to body size the unreal

for the game playing for keeps book 2 english edi 2023 - Jun 22 2022

web for the game playing for keeps book 2 english edi 3 3 and a little bit of luck to take on one eyed monster win big or get soaked in make it rain by trying to find the umbrella full of cash the more you play the more you ll win fun prizes and unlock bigger

for the game playing for keeps book 2 english edition by - Dec 29 2022

web jun 8 2023 if you associate tradition such a referred for the game playing for keeps book 2 english edition by amber garza books that will find the money for you worth fetch the categorically best seller from us nowfrom numerous favored authors for the game playing for keeps book 2 ebook playing for keeps the game book 2 epub emma

for the game playing for keeps book 2 english edi lisa b kamps - Oct 07 2023

web for the game playing for keeps book 2 english edi for the game playing for keeps book 2 english edi 2 downloaded from rjonline org on 2021 06 23 by guest about the bro code but there s just something about tyler that makes her want to take a chance and risk so much more than her brother s ire

ross wilson anatomy and physiology colouring and workbook elsevier - Jan 27 2023

web jan 20 2023 paperback this workbook aims to help students build their confidence and consolidate their studies in anatomy and physiology fully updated in its sixth edition the workbook provides full page colouring exercises for every system of the body designed to help the reader to test their memory and reinforce their knowledge

anatomy and physiology coloring workbook ch 4 skin and body - May 19 2022

web learn test match q chat created by itsny02 terms in this set 79 1 mucous tissue type epithelial sheet with underlying connective tissue lamina propria common locations hollow organs of the respiratory digestive urinary and reproductive tracts functions absorption and secretion 2 serous tissue type epithelial

solved 114 anatomy physiology coloring workbook 17 chegg - Aug 22 2022

web transcribed image text 114 anatomy physiology coloring workbook 17 several criteria are applied to the naming of muscles these are provided in column b identify which criteria pertain to the muscles listed in column a and enter the correct

letter s in the answer blank items may have more than one answer column a column b 1

anatomy and physiology coloring workbook 12th edition quizlet - Oct 04 2023

web our resource for anatomy and physiology coloring workbook includes answers to chapter exercises as well as detailed information to walk you through the process step by step with expert solutions for thousands of practice problems you can take the guesswork out of studying and move forward with confidence

ross wilson anatomy and physiology colouring and workbook - Nov 24 2022

web nov 2 2022 description this workbook aims to help students build their confidence and consolidate their studies in anatomy and physiology fully updated in its sixth edition the workbook provides full page colouring exercises for every system of the body designed to help the reader to test their memory and reinforce their knowledge

anatomy and physiology coloring workbook 11th edition quizlet - Sep 03 2023

web our resource for anatomy and physiology coloring workbook includes answers to chapter exercises as well as detailed information to walk you through the process step by step with expert solutions for thousands of practice problems you can take the guesswork out of studying and move forward with confidence

anatomy physiology coloring workbook a complete study - Apr 17 2022

web mar 16 2014 as an incredibly engaging study guide that can be used either independently or in conjunction with any a p book the anatomy and physiology coloring workbook helps you get the most out of your a p classes dr elaine marieb thoughtfully crafted the text to include a wide range of coloring activities and self assessments

muscle anatomy workbook pages 97 111 murrieta valley - Apr 29 2023

web 106 anatomy physiology coloring workbook muscles of the arm and forearm 22 identify the muscles described in column a by choosing a response from column b enter the correct letter in the answer blank then select different colors for each muscle description provided with a color coding circle and use them to color in the coding

chapter one introduction astephensscience - May 31 2023

web consists of individual skeletal muscles as organs such as the pectoralis fill in the terms and color the regions of the body the anatomical names are given first with the common names in parentheses cephalic head body and color them with different colors b c answer key a dorsal body cavity b cranial cavity c spinal canal d

anatomy and physiology coloring book pdf - Feb 13 2022

web lippincott physiology pdf download link 2020 edition anatomy and physiology textbook pdf free download 2023 lippincott biochemistry 7th edition pdf download link on brs biochemistry pdf 7th edition download 2023 critical care nursing diagnosis and management pdf 8th edition direct link medical students

anatomy coloring pages a fun effective revision tool kenhub - Mar 17 2022

web oct 30 2023 the good news there are several ways to get back on track it s simply a matter of finding a way of studying which engages you and even helps you to forget you re learning at all enter anatomy coloring pages a fun stimulating and effective way to learn anatomy that you may never have thought of

anatomy and physiology coloring workbook 12th edition textbook chegg - Jul 01 2023

web access anatomy and physiology coloring workbook 12th edition solutions now our solutions are written by chegg experts so you can be assured of the highest quality

anatomy and physiology coloring workbook a complete study - Oct 24 2022

web mar 7 2023 anatomy and physiology coloring workbook a complete study guide global edition 12th edition published by pearson march 7 2023 2023 elaine n marieb holyoke community college simone brito fresno city college

anatomy and physiology coloring workbook pearson - Mar 29 2023

web jul 14 2021 anatomy and physiology coloring workbook a complete study guide switch content of the page by the role toggle i m a student i m an educator the content would be changed according to the role anatomy and physiology coloring workbook a complete study guide 12th edition

ross wilson anatomy and physiology colouring a - Jul 21 2022

web description this workbook aims to help students build their confidence and consolidate their studies in anatomy and physiology fully updated in its sixth edition the workbook provides full page colouring exercises for every system of the body designed to help the reader to test their memory and reinforce their knowledge

anatomy coloring books how to use free pdf kenhub - Aug 02 2023

web oct 23 2023 by coloring in everything from nerve courses and bifurcations to muscle origins and insertions from multiple views and dissection layers this human anatomy coloring book allows you to reinforce your understanding of anatomical structures and have fun at the same time

anatomy and physiology coloring workbook a complete study - Dec 26 2022

web jul 14 2021 anatomy and physiology coloring workbook simplifies your study of a p through a wide range of engaging coloring activities exercises and self assessments highlights include new crossword puzzles along with

anatomy physiology coloring workbook a complete study guide - Jun 19 2022

web language english xiii 352 pages 28 cm this workbook is an excellent tool for use by itself or with any human anatomy physiology text along with its review of the human body from microscopic to macroscopic levels the

anatomy and physiology coloring workbook pearson de - Feb 25 2023

web one answer gross anatomy of the skeletal muscles muscles of the head 18 identify the major muscles described in column a by choosing a response from column b enter the correct letter in the answer blank select a different color for each

muscle described and color in the coding circle and corresponding muscle on figure 6 6

[ross wilson anatomy and physiology colouring a elsevier uk](#) - Sep 22 2022

web this workbook aims to help students build their confidence and consolidate their studies in anatomy and physiology fully updated in its sixth edition the workbook provides full page colouring exercises for every system of the body designed to help the reader to test their memory and reinforce their knowledge students can label diagrams answer

11 logique et raisonnements enseignementsup recherche gouv fr - Feb 12 2023

web la logique est le fondement du raisonnement mathématique

[cours logique et raisonnement universit e de batna 2 studocu](#) - Jan 31 2022

web feb 21 2021 i définition le raisonnement logique ou simplement logique pour faire court est l une des compétences fondamentales de la pensée efficace cela fonctionne

[logique et raisonnements partie 2 raisonnements](#) - Nov 09 2022

web la logique est la discipline qui s attaque à la notion de validité des raisonnements toutefois la manière de traiter cette notion les fondements le formalisme utilisé etc

[raisonnement logique exemples et de définition de](#) - Nov 28 2021

[math ematiques mpsi 2021 2022 cnrs](#) - May 15 2023

web apr 1 2012 cours et exercices de mathématiques pour les étudiants retrouvez le polycopié sur exo7 emath fr chapitre logique et raisonnements partie 1 logiqueplan assertions

logique et raisonnement mathématique wikipédia - Aug 18 2023

web lanégationde $x^2 = 10$ et $x = 3$ est $x^2 = 10$ ou $x = 3$ exemple l implicationetl équivalence l implication $p \rightarrow q$ est vraie lorsque non p ou q est vraie onditalorsque p

[logique et raisonnements e math](#) - Sep 19 2023

la logique est le fondement du raisonnement mathématique

logique et raisonnement mathématique wikiwand - Jan 11 2023

web utiliser un raisonnement par l absurde ou par contraposition effectuer un raisonnement par r ecurrence simple ou double et plus si affinit es appliquer une r ecurrence forte

[pdf logique raisonnement et rationalité researchgate](#) - Jul 05 2022

web may 4 2011 en ce sens le raisonnement logique sert à analyser argumenter raisonner justifier ou vérifier toutes formes de raisonnement il se veut précis et exact tout en se

logique et raisonnements partie 2 raisonnements canal u - Jun 04 2022

web sep 5 2023 le raisonnement logique est le processus consistant à suivre la pensée logique étape par étape pour parvenir à une conclusion et il peut être testé de diverses

cours complet introduction à la logique et raisonnements - Sep 07 2022

web apr 5 2014 logique raisonnement et rationalité et le problème de la normativité chez Kant Frege et la philosophie de la logique contemporaine philosophie 2014 Dumas

définition de raisonnement logique concept et sens - May 03 2022

web la logique et le raisonnement sont des compétences incontournables pour réussir les maths en classe préparatoire mpsi et mp2i dans ce cours vous apprendrez à

logique et raisonnement exercices corrigés mpsi mp2i - Dec 30 2021

web le raisonnement est une manière logique d'organiser le discours dans les textes argumentatifs on relève plusieurs modes de raisonnement qu'il est important de

licence l1 logique et raisonnement fiche de cours - Oct 08 2022

web il existe plusieurs types d'inférences inductives mais par souci de concision cette section abordera les trois types les plus courants raisonnement d'instances spécifiques à des

logique ensembles raisonnements e math - Mar 13 2023

web l1 logique et raisonnements pour utiliser le dispositif vous devez créer votre compte sur la plateforme et vous inscrire gratuitement au cours apprendre à bien rédiger un

logique et raisonnements partie 1 logique youtube - Apr 14 2023

web 1 a est fausse car sa négation qui est $\exists x \exists y \exists z (x \neq y \wedge y \neq z \wedge x \neq z)$ est vraie Étant donné $\exists x \exists y (x \neq y)$ il existe toujours un $y \neq x$ tel que $x \neq y$ par exemple on peut prendre $y = x + 1$ et alors

logique et raisonnement cours mpsi mp2i - Mar 01 2022

web sep 22 2023 j'ai soigneusement sélectionné ces exercices pour vous permettre de mettre en pratique les connaissances acquises durant le cours logique et raisonnement et

chapitre 1 logique et raisonnements éditions ellipses fr - Dec 10 2022

web logique et raisonnement fiche de cours 1 la logique a assertion ou proposition logique une assertion ou proposition logique est une affirmation formée par des mots

plus de 55 questions et solutions de raisonnement logique et - Apr 02 2022

web n n n n 2 1 3 se lit il existe un unique entier naturel n non nul tel que n n 1 2 est égal à 3 logique et raisonnements 3 raisonnement mathématiques alors

chapitre 1 logique et raisonnements éditions ellipses fr - Jun 16 2023

web 1 non a qui est vraie si a est fausse et fausse sinon qu on appelle la negation not ee a 2 a ou b qui est vraie si l une des deux assertions est vraie et fausse sinon qu on

5 4 types d interference global - Aug 06 2022

web sep 10 2012 logique et raisonnements partie 2 raisonnements chapitre logique et raisonnements partie 2

raisonnements plan raisonnement direct cas par cas

les modes de raisonnement mymaxicours - Oct 28 2021

chapitre 1 logique et raisonnements - Jul 17 2023

web logique et raisonnements 3 objectifs les les incontournables incontournables manipuler les quantificateurs raisonner par implication ou par equivalence utiliser un