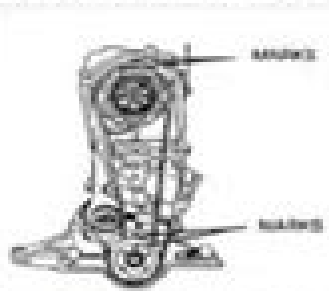


# Kia Sephia 1992-1997 Workshop Manual

- Turn the camshaft two turns clockwise, and align the timing belt pulley mark with the timing mark.
- Verify that the camshaft pulley marks are aligned with the cylinder head cover mark. If not aligned, remove the timing belt and inspect for tensioner installation.

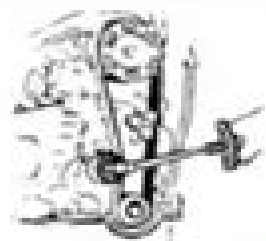


- Loosen the tensioner lock bolt to apply tension to the timing belt.

**CAUTION**  
Do not use to apply tension after 1/2 turn of the tensioner spring.

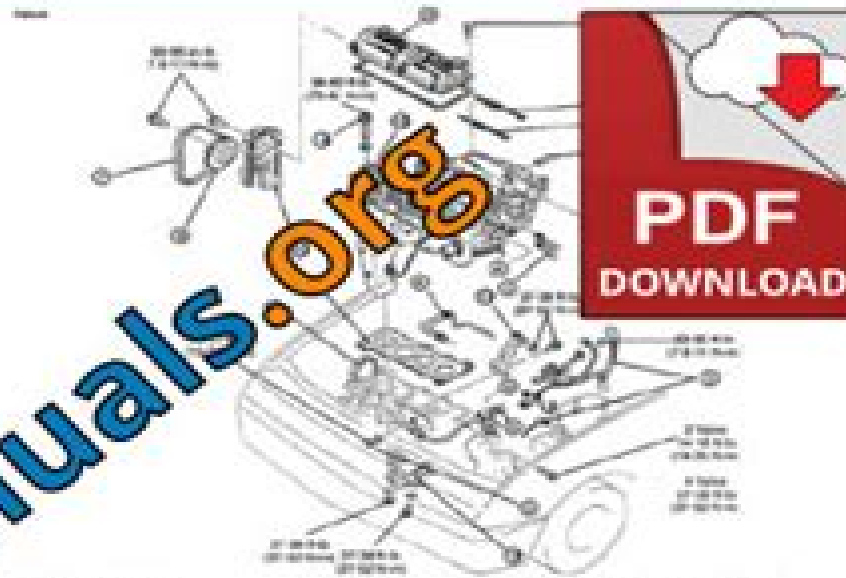
- Tighten the tensioner lock bolt.

Tightening torque: 14.10 Nm (10.20 ft-lb)

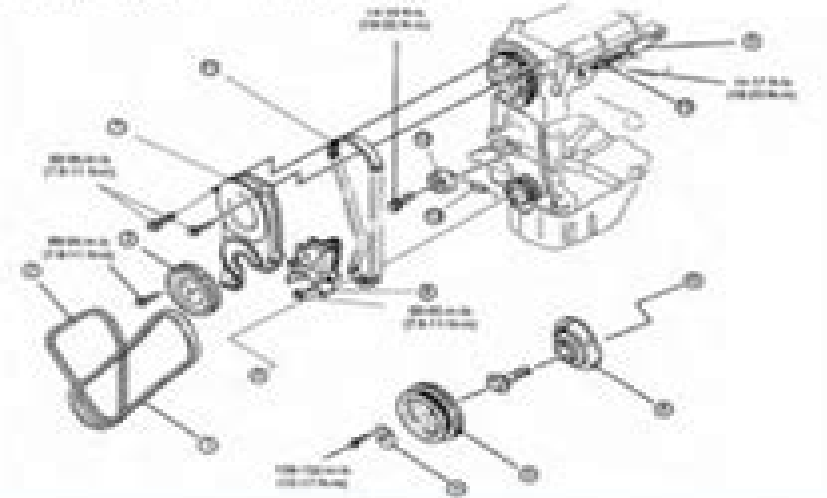


- Turn the camshaft 2 turns clockwise and verify that the marks are correctly aligned.
- Check the timing belt deflection by applying a force of 220 (200) newtons between the camshaft pulley and the crankshaft pulley.  
If the timing belt deflection is not correct, adjust the tensioner lock bolt on the spring to fully extended and repeat steps 4-6 above or replace the timing spring.

Deflection: 0.40 (0.01) in (10.4 (0.25) mm)



- |                          |                             |                                  |
|--------------------------|-----------------------------|----------------------------------|
| 1. Air filter assembly   | 7. Drive belt               | 15. Water manifold bracket       |
| 2. Air filter element    | 8. Water pump pulley        | 16. Cylinder head bolt           |
| 3. Throttle cable (A/T)  | 9. Cylinder head cover      | 17. Cylinder head                |
| 4. Hose                  | 10. Timing belt cover upper | 18. Cylinder head gasket (Front) |
| 5. Hose                  | 11. Timing belt             |                                  |
| 6. Water bypass pipe kit | 12. Front exhaust pipe      |                                  |



Workshopmanuals.org

# 1997 Kia Sephia Repair Guide

**Consumer Reports Books Editors**



## **1997 Kia Sephia Repair Guide:**

*Chilton's Import Auto Service Manual*, 2000 Contains general information for technicians on the specifications MIL resetting and DTC retrieval accessory drive belts timing belts brakes oxygen sensors electric cooling fans and heater cores of twenty one types of import cars **Complete Car Cost Guide 1997** IntelliChoice, Inc,1997-02 **Dispute Settlement Reports 1998: Volume 6, Pages 2199-2752** World Trade Organization,2001-01-25 The authorized paginated WTO Dispute Settlement Reports in English cases for 1998 *The Complete Car Cost Guide, 1996* Inc Intellichoice,1996-03 **The Car Book, 1998** Jack Gillis,1997-11-27 Completely updated The Car Book 1998 provides more of the information new car buyers want in a user friendly format that stands head and shoulders above the competition Divided alphabetically by maker and then model the guide contains full page entries for 140 new cars and minivans featuring a brief narrative summary and photo of each model *Automobile Book 1997* Consumer Guide,Consumer Guide Editors,1996-12 Passenger cars sport utility vehicles trucks and minivans are all discussed in this invaluable guide to the new 1997 vehicles Over 170 cars trucks and vans are reviewed and rated in every important category from price to handling to options Don t make an uninformed decision get the guide that takes the hassle out of car buying Large format *Kia Sephia & Spectra Automotive Repair Manual* Joe L. Hamilton,John Harold Haynes,2005 **The Used Car Book, 1996-1997** Jack Gillis,1996-05 Written by the nation s foremost automobile consumer expert this information packed sourcebook is still the best guide available for used car buyers With full page entries on more than 150 models of used cars and minivans this is the book for anyone in the market for a used car Photos *The Car Book* Jack Gillis,1998 **The Complete Car Cost Guide 2001** Inc Intellichoice,IntelliChoice, Incorporated,2001-03 **The Car Book 2008** Jack Gillis,Amy Curran,David Iberkleid,Julia Redmon,2008 **Buying Guide 2001** Consumer Reports,2000-11 This compact book contains the best buying advice from Consumer Reports along with expert strategies for finding many products at the best prices Includes advice for shopping online by mail order or in stores lab test results and a preview of the 2001 model year vehicles *Chilton's Kia Sephia & Spectra 1994-09 Repair Manual* Joe L. Hamilton,2010 Covers all U S and Canadian models of Sephia 1994 through 2001 and Spectra 2000 through 2009 *Consumer Reports Used Car Buying Guide* Consumer Reports,2004-03-02 This trustworthy guide has step by step advice on used cars from selection to shopping strategies vehicle inspection negotiation techniques and closing the deal Also includes details about all checks performances and how to find a good mechanic *Naked and Not Ashamed* Sabrina Nottage,2013-05 *Naked and Not Ashamed* is about a woman who grew up on the streets of Liberty City surrounded by a life full of drugs alcohol violence and uncertainty would ever come out from her distasteful environment and become the woman that God has design for her to be During Sabrina s childhood she was molested and was led into a life full of promiscuity broken relationships and making bad decisions for over twenty years Raised by her mother and abused by men that were supposed to be her father her leaders and close relatives Sabrina did not know her self worth or where she had

come from since her father was not in her life On this journey to discovering her identity and her true purpose she met many people from all walks of life sharing the same stories and the same pains as her but she also discovers that in order to move ahead she must first close the gaps of her dreadful past and forgive those that abuse her while finding her way as becoming a woman and a minister As she embarks on this journey there were many pitfalls dark tunnels and rejection that she had to endure She would have to also face those that once cared for her and confront her father about why he wasn't in her life but it is through this discovery that Sabrina also finds that God unlocks the doors of her past and gives her peace and understanding of why she went through the abuse After overcoming many adversities in life Sabrina goals dreams and a vision she saw for herself years ago had begun to surface once she began to heal and accept life for what it truly is Sabrina shares her fears tears and intimate moments of being vulnerable transparently and narrates her life story with foundational scriptures and hard felt poetry She exclaims If you just Let go and Allow God to lead and guide you then you will discover that He knows the way home Sabrina finally triumphs through her missing pieces to her puzzle when she finally realizes her GOD GIVEN POTENTIAL

The Car Book 2005 Jack Gillis,2004      **The Car Book, 1995** Jack Gillis,1994 Up to date thorough and highly accessible the 1995 edition of The Car Book contains everything a car buyer needs to know about this year's 140 new car and minivan models Each full page entry provides a clear summary of the model a photo easy to use charts that contain an overall rating for that model and more

**Consumer Reports Used Car Buying Guide** Consumer Reports Books Editors,2001-02 Consumer Reports Used Car Buying Guide gives shoppers comprehensive advice on more than 200 models including reliability histories for 1992-1999 models of cars SUVs minivans and pickup trucks 225 photos charts

Pennsylvania State Reports Pennsylvania. Supreme Court,2011 Containing cases decided by the Supreme Court of Pennsylvania

Kia Sephia, Spectra and Sportage J.J. Haynes,2011-08-15 Complete coverage for your Kia Sephia Spectra and Sportage covering Sephia 1994 thru 2001 Spectra 2000 thru 2009 and Sportage 2005 thru 2010 Routine Maintenance Tune up procedures Engine repair Cooling and heating Air Conditioning Fuel and exhaust Emissions control Ignition Brakes Suspension and steering Electrical systems Wiring diagrams With a Haynes manual you can do it yourself from simple maintenance to basic repairs Haynes writes every book based on a complete teardown of the vehicle We learn the best ways to do a job and that makes it quicker easier and cheaper for you Our books have clear instructions and hundreds of photographs that show each step Whether you're a beginner or a pro you can save big with Haynes Step by step procedures Easy to follow photos Complete troubleshooting section Valuable short cuts Color spark plug diagnosis

Embark on a transformative journey with Written by is captivating work, Grab Your Copy of **1997 Kia Sephia Repair Guide** . This enlightening ebook, available for download in a convenient PDF format Download in PDF: , invites you to explore a world of boundless knowledge. Unleash your intellectual curiosity and discover the power of words as you dive into this riveting creation. Download now and elevate your reading experience to new heights .

<https://netdata.businesstraveller.com/files/book-search/index.jsp/Lamborghini%20Murcielago%20Sv%20Lp%20670%20Full%20Service%20Repair%20Manual.pdf>

## **Table of Contents 1997 Kia Sephia Repair Guide**

1. Understanding the eBook 1997 Kia Sephia Repair Guide
  - The Rise of Digital Reading 1997 Kia Sephia Repair Guide
  - Advantages of eBooks Over Traditional Books
2. Identifying 1997 Kia Sephia Repair Guide
  - Exploring Different Genres
  - Considering Fiction vs. Non-Fiction
  - Determining Your Reading Goals
3. Choosing the Right eBook Platform
  - Popular eBook Platforms
  - Features to Look for in an 1997 Kia Sephia Repair Guide
  - User-Friendly Interface
4. Exploring eBook Recommendations from 1997 Kia Sephia Repair Guide
  - Personalized Recommendations
  - 1997 Kia Sephia Repair Guide User Reviews and Ratings
  - 1997 Kia Sephia Repair Guide and Bestseller Lists
5. Accessing 1997 Kia Sephia Repair Guide Free and Paid eBooks
  - 1997 Kia Sephia Repair Guide Public Domain eBooks
  - 1997 Kia Sephia Repair Guide eBook Subscription Services

- 1997 Kia Sephia Repair Guide Budget-Friendly Options
- 6. Navigating 1997 Kia Sephia Repair Guide eBook Formats
  - ePub, PDF, MOBI, and More
  - 1997 Kia Sephia Repair Guide Compatibility with Devices
  - 1997 Kia Sephia Repair Guide Enhanced eBook Features
- 7. Enhancing Your Reading Experience
  - Adjustable Fonts and Text Sizes of 1997 Kia Sephia Repair Guide
  - Highlighting and Note-Taking 1997 Kia Sephia Repair Guide
  - Interactive Elements 1997 Kia Sephia Repair Guide
- 8. Staying Engaged with 1997 Kia Sephia Repair Guide
  - Joining Online Reading Communities
  - Participating in Virtual Book Clubs
  - Following Authors and Publishers 1997 Kia Sephia Repair Guide
- 9. Balancing eBooks and Physical Books 1997 Kia Sephia Repair Guide
  - Benefits of a Digital Library
  - Creating a Diverse Reading Collection 1997 Kia Sephia Repair Guide
- 10. Overcoming Reading Challenges
  - Dealing with Digital Eye Strain
  - Minimizing Distractions
  - Managing Screen Time
- 11. Cultivating a Reading Routine 1997 Kia Sephia Repair Guide
  - Setting Reading Goals 1997 Kia Sephia Repair Guide
  - Carving Out Dedicated Reading Time
- 12. Sourcing Reliable Information of 1997 Kia Sephia Repair Guide
  - Fact-Checking eBook Content of 1997 Kia Sephia Repair Guide
  - Distinguishing Credible Sources
- 13. Promoting Lifelong Learning
  - Utilizing eBooks for Skill Development
  - Exploring Educational eBooks
- 14. Embracing eBook Trends

- Integration of Multimedia Elements
- Interactive and Gamified eBooks

### **1997 Kia Sephia Repair Guide Introduction**

In today's digital age, the availability of 1997 Kia Sephia Repair Guide books and manuals for download has revolutionized the way we access information. Gone are the days of physically flipping through pages and carrying heavy textbooks or manuals. With just a few clicks, we can now access a wealth of knowledge from the comfort of our own homes or on the go. This article will explore the advantages of 1997 Kia Sephia Repair Guide books and manuals for download, along with some popular platforms that offer these resources. One of the significant advantages of 1997 Kia Sephia Repair Guide books and manuals for download is the cost-saving aspect. Traditional books and manuals can be costly, especially if you need to purchase several of them for educational or professional purposes. By accessing 1997 Kia Sephia Repair Guide versions, you eliminate the need to spend money on physical copies. This not only saves you money but also reduces the environmental impact associated with book production and transportation. Furthermore, 1997 Kia Sephia Repair Guide books and manuals for download are incredibly convenient. With just a computer or smartphone and an internet connection, you can access a vast library of resources on any subject imaginable. Whether you're a student looking for textbooks, a professional seeking industry-specific manuals, or someone interested in self-improvement, these digital resources provide an efficient and accessible means of acquiring knowledge. Moreover, PDF books and manuals offer a range of benefits compared to other digital formats. PDF files are designed to retain their formatting regardless of the device used to open them. This ensures that the content appears exactly as intended by the author, with no loss of formatting or missing graphics. Additionally, PDF files can be easily annotated, bookmarked, and searched for specific terms, making them highly practical for studying or referencing. When it comes to accessing 1997 Kia Sephia Repair Guide books and manuals, several platforms offer an extensive collection of resources. One such platform is Project Gutenberg, a nonprofit organization that provides over 60,000 free eBooks. These books are primarily in the public domain, meaning they can be freely distributed and downloaded. Project Gutenberg offers a wide range of classic literature, making it an excellent resource for literature enthusiasts. Another popular platform for 1997 Kia Sephia Repair Guide books and manuals is Open Library. Open Library is an initiative of the Internet Archive, a non-profit organization dedicated to digitizing cultural artifacts and making them accessible to the public. Open Library hosts millions of books, including both public domain works and contemporary titles. It also allows users to borrow digital copies of certain books for a limited period, similar to a library lending system. Additionally, many universities and educational institutions have their own digital libraries that provide free access to PDF books and manuals. These libraries often offer academic texts, research papers, and technical manuals, making them invaluable resources for students.

and researchers. Some notable examples include MIT OpenCourseWare, which offers free access to course materials from the Massachusetts Institute of Technology, and the Digital Public Library of America, which provides a vast collection of digitized books and historical documents. In conclusion, 1997 Kia Sephia Repair Guide books and manuals for download have transformed the way we access information. They provide a cost-effective and convenient means of acquiring knowledge, offering the ability to access a vast library of resources at our fingertips. With platforms like Project Gutenberg, Open Library, and various digital libraries offered by educational institutions, we have access to an ever-expanding collection of books and manuals. Whether for educational, professional, or personal purposes, these digital resources serve as valuable tools for continuous learning and self-improvement. So why not take advantage of the vast world of 1997 Kia Sephia Repair Guide books and manuals for download and embark on your journey of knowledge?

### **FAQs About 1997 Kia Sephia Repair Guide Books**

**What is a 1997 Kia Sephia Repair Guide PDF?** A PDF (Portable Document Format) is a file format developed by Adobe that preserves the layout and formatting of a document, regardless of the software, hardware, or operating system used to view or print it. **How do I create a 1997 Kia Sephia Repair Guide PDF?** There are several ways to create a PDF: Use software like Adobe Acrobat, Microsoft Word, or Google Docs, which often have built-in PDF creation tools. Print to PDF: Many applications and operating systems have a "Print to PDF" option that allows you to save a document as a PDF file instead of printing it on paper. Online converters: There are various online tools that can convert different file types to PDF. **How do I edit a 1997 Kia Sephia Repair Guide PDF?** Editing a PDF can be done with software like Adobe Acrobat, which allows direct editing of text, images, and other elements within the PDF. Some free tools, like PDFescape or Smallpdf, also offer basic editing capabilities. **How do I convert a 1997 Kia Sephia Repair Guide PDF to another file format?** There are multiple ways to convert a PDF to another format: Use online converters like Smallpdf, Zamzar, or Adobe Acrobat's export feature to convert PDFs to formats like Word, Excel, JPEG, etc. Software like Adobe Acrobat, Microsoft Word, or other PDF editors may have options to export or save PDFs in different formats. **How do I password-protect a 1997 Kia Sephia Repair Guide PDF?** Most PDF editing software allows you to add password protection. In Adobe Acrobat, for instance, you can go to "File" -> "Properties" -> "Security" to set a password to restrict access or editing capabilities. Are there any free alternatives to Adobe Acrobat for working with PDFs? Yes, there are many free alternatives for working with PDFs, such as: LibreOffice: Offers PDF editing features. PDFsam: Allows splitting, merging, and editing PDFs. Foxit Reader: Provides basic PDF viewing and editing capabilities. How do I compress a PDF file? You can use online tools like Smallpdf, ILovePDF, or desktop software like Adobe Acrobat to compress PDF files without significant quality loss. Compression reduces the file size,



making it easier to share and download. Can I fill out forms in a PDF file? Yes, most PDF viewers/editors like Adobe Acrobat, Preview (on Mac), or various online tools allow you to fill out forms in PDF files by selecting text fields and entering information. Are there any restrictions when working with PDFs? Some PDFs might have restrictions set by their creator, such as password protection, editing restrictions, or print restrictions. Breaking these restrictions might require specific software or tools, which may or may not be legal depending on the circumstances and local laws.

**Find 1997 Kia Sephia Repair Guide :**

*lamborghini murcielago sv lp 670 full service repair manual*

*link belt rtc803specifications and capacities 114391*

**peugeot 405 repair service manual**

mightier than the sword the clifton chronicles

zenoah g26 marine engine manual

section 2review modern biology answers

97 model suzuki dr 250 manual

manual alinea dj s1e

**nissan frontier d22 nissan np 300 2001 2004 repair manual**

*bosch alternator for a 580 super k 4x4 backhoe*

*be my human moonlit skies book 2*

distribution transformer testing guide with diagrams

**american odyssey guided activity answers chapter 25**

**essex county deeds 1639-1678 abstracts of volumes 1-4 copys essex county massachusetts**

*how to survive and prosper after the year 2000 computer crash*

**1997 Kia Sephia Repair Guide :**

**the many lives of michael bloomberg book by eleanor** - Dec 14 2020

*the many lives of michael bloomberg audible com* - May 31 2022

web sep 10 2023 mr bloomberg is the founder of bloomberg and bloomberg philanthropies served as mayor of new york from 2002 to 2013 and was a candidate for

*the many lives of michael bloomberg metrofocus* - Oct 04 2022

web the many lives of michael bloomberg by eleanor randolph narrated by steven jay cohen try for 0 00 14 95 month after 30 days cancel anytime buy for 17 99 buy for

**michael bloomberg is giving his friends a copy of his new** - Feb 25 2022

web sep 5 2023 2 15 citigroup inc s 41 share price reflects too much fear and investors looking for a long term opportunity should buy the stock according to wells fargo co

the many lives of michael bloomberg amazon com tr - Apr 29 2022

web sep 11 2023 sept 11 2023 mourners gathered in grief in lower manhattan on monday hugging each other and fighting back tears as they commemorated their lost loved ones

**the many lives of michael bloomberg simon schuster** - Jul 13 2023

web mar 16 2021 a vivid timely study of bloomberg s brand of plutocracy publishers weekly this engaging and insightful biography recounts mayor bloomberg s vigorous

the many lives of michael bloomberg innovation money and - Nov 05 2022

web apr 2 2014 famous political figures philanthropists michael bloomberg michael bloomberg is a billionaire businessman and a former three term mayor of new york

**chinese yuan to depreciate against dollar gradually saxo says** - Mar 17 2021

what 50 million can buy inside the sleek new white house - Jul 21 2021

web mar 16 2021 the many lives of michael bloomberg is a smart and engaging book about one of the most important men in our time anyone interested in how to become a

9 11 anniversary victims families gather at ground zero the - Nov 24 2021

web september 12 2023 at 2 30 am pdt it s been more than a decade since america s carmakers have tied pay to inflation now workers want to change that after seeing

**the many lives of michael bloomberg amazon com** - Aug 14 2023

web the many lives of michael bloomberg is a smart and engaging book about one of the most important men in our time anyone interested in how to become a billionaire how to

**the many lives of michael bloomberg amazon co uk** - Sep 03 2022

web arama yapmak istediğiniz kategoriye seçin

mtv vmas 2023 see the full list of winners cnn - Aug 22 2021

web sep 14 2023 tv shows september 13th 2023 8 12 pm pdt redmond wong market strategist for greater china at saxo

discusses the outlook for the chinese economy the

[uaw contract 2023 deadline hinges on pay raises inflation](#) - Jun 19 2021

web the many lives of michael bloomberg is a smart and engaging book about one of the most important men in our time

anyone interested in how to become a billionaire how to

*the many lives of michael bloomberg review not* - Feb 08 2023

web sep 18 2019 billionaire businessman former mayor political powerhouse a look at the multifaceted michael bloomberg

for more information on the many lives of michael

[the many lives of michael bloomberg barnes noble](#) - Feb 13 2021

[the many lives of michael bloomberg google books](#) - Jan 07 2023

web buy the many lives of michael bloomberg by randolph eleanor isbn 9781476772202 from amazon s book store everyday

low prices and free delivery on eligible orders

**michael bloomberg founder of bloomberg lp new york city** - Jul 01 2022

web aug 27 2019 mike bloomberg and his advisers are embracing the forthcoming the many lives of michael bloomberg by

n y times veteran eleanor randolph out

**citigroup c at 41 a share is worth buying wells fargo** - Sep 22 2021

web sep 11 2023 by hatem mohareb september 11 2023 at 11 45 am edt hundreds of people are feared dead in eastern

libya after the mediterranean storm daniel caused

**the many lives of michael bloomberg amazon com** - Jan 15 2021

*the many lives of michael bloomberg goodreads* - Jun 12 2023

web sep 10 2019 the author of the many lives of michael bloomberg she lives in manhattan with her husband and teenaged

daughter product details publisher simon

*the many lives of michael bloomberg innovation money and* - Mar 09 2023

web with unprecedented access the veteran new york times reporter and editorial writer who covered new york city and

state politics offers a revealing portrait of one of the richest

**michael bloomberg wikipedia** - Jan 27 2022

web 2 days ago mtv first planted its flag in pop culture with its debut on august 1 1981 yes those of us who grew up

watching mtv for hours waiting for our favorite videos to play

**the many lives of michael bloomberg ebooks com** - Dec 06 2022

web eleanor randolph simon schuster 30 480p isbn 978 1 4767 7220 2 the tech mogul turned new york city mayor proved billionaires can be good politicians according to this

**nikki haley and mike pence rise in the polls without spending** - Oct 24 2021

web sep 11 2023 american cave explorer mark dickey has been rescued from a deep cave in turkey after he became ill during an expedition more than nine days ago and was unable

**a look at the many lives of michael bloomberg youtube** - Mar 29 2022

web sep 10 2023 mike pence drives his ford pickup truck to meet donors near his hometown in indiana for the first republican debate in milwaukee nikki haley stayed at a hotel

**the many lives of michael bloomberg google books** - Apr 10 2023

web isbn 9781476772226 title the many lives of michael bloomberg author eleanor randolph imprint simon schuster language english number of pages 480

**the many lives of michael bloomberg by eleanor randolph** - Aug 02 2022

web former new york city mayor michael bloomberg has officially entered the democratic presidential primary race eleanor randolph author of the book the many

**opinion michael bloomberg how biden and congress should** - Dec 26 2021

web sep 8 2023 by michael d shear reporting from the situation room sept 8 2023 the white house situation room the ultrasecure facility known to west wing insiders simply

*hundreds feared dead in eastern libya after storm flooding* - Apr 17 2021

**was michael bloomberg new york city s greatest** - May 11 2023

web randolph recounts mayor bloomberg s vigorous approach to new york city s care including his attempts at education reform contract control anti smoking and anti

**the many lives of michael bloomberg amazon com** - Nov 12 2020

**american mark dicky rescued after more than week in turkish cave** - May 19 2021

**werner heisenberg in selbstzeugnissen und bilddokumenten** - Dec 12 2022

web abebooks com werner heisenberg in selbstzeugnissen und bilddokumenten rowohlts monographien 240 german edition 9783499502408 and a great selection of similar new used and collectible books available now at great prices

**werner heisenberg mit selbstzeugnissen und bilddokumenten** - Jun 18 2023

web werner heisenberg mit selbstzeugnissen und bilddokumenten inproceedings hermann1984wernerh title werner heisenberg mit selbstzeugnissen und bilddokumenten author armin hermann year 1984 a hermann published 1984 philosophy

**werner heisenberg in selbstzeugnissen und bilddokumente** - Mar 15 2023

web werner heisenberg in selbstzeugnissen und bilddokumenten rowohlts monographien 240

werner heisenberg in selbstzeugnissen und bilddokumenten - Feb 14 2023

web werner heisenberg by hermann armin 1979 11 rowohlt edition taschenbuch in german deutsch 23 26 tausend werner heisenberg in selbstzeugnissen und bilddokumenten by hermann armin open library

**werner heisenberg biography life family children young son** - Mar 03 2022

web german physicist werner heisenberg was a leader in physics winning the 1932 nobel prize in physics for his discovery of the uncertainty principle which states that it is impossible to specify the exact position and momentum of

**description werner heisenberg in selbstzeugnissen und** - Jul 07 2022

web werner heisenberg in selbstzeugnissen und bilddokumenten saved in bibliographic details main author hermann armin 1933 format print book language werner heisenberg in der wissenschafts und zeitgeschichte ein forschungsbericht by metzler gabriele 1967 published 1995 the role of

**werner heisenberg in selbstzeugnissen und bilddokumenten** - May 17 2023

web werner heisenberg in selbstzeugnissen und bilddokumenten by armin hermann 1976 rowohlt edition in german deutsch 1 13 tsd werner heisenberg in selbstzeugnissen und bilddokumenten by armin hermann open library

werner heisenberg in selbstzeugnissen und bilddokumenten - May 05 2022

web physicists germany biography 152 pages ill ports 19 cm book nnl aleph990013468900205171

werner heisenberg by hermann armin open library - Aug 08 2022

web jan 15 2023 werner heisenberg in selbstzeugnissen und bilddokumenten by hermann armin 0 ratings 1 want to read 0 currently reading 0 have read

**werner heisenberg in selbstzeugnissen und bilddokumenten** - Apr 16 2023

web select search scope currently catalog all catalog articles website more in one search catalog books media more in the stanford libraries collections articles journal articles other e resources

**werner heisenberg in selbstzeugnissen und bilddok book** - Oct 22 2023

web werner heisenberg in selbstzeugnissen und bilddok beethoven apr 19 2021 the origins of physical anthropology nov 07 2022 deutsche nationalbibliographie und bibliographie des im ausland erschienenen deutschsprachigen schrifttums jan 29 2022 europäische hochschulschriften aug 24 2021 nov 26 2021

*werner heisenberg in selbstzeugnissen und bilddok 2022* - Sep 21 2023

web 6 werner heisenberg in selbstzeugnissen und bilddok 2022 08 22 erinnern und vergessen sind grundlegende prozesse menschlichen lebens wie weit aber reicht die verformende kraft des gedächtnisses tatsächlich die moderne

*werner heisenberg in selbstzeugnissen und bilddokumenten* - Jan 13 2023

web werner heisenberg in selbstzeugnissen und bilddokumenten release date 1976 05 format paperback

**staff view werner heisenberg in selbstzeugnissen und** - Sep 09 2022

web werner heisenberg in selbstzeu cite this email this print export record export to ris citavi zotero etc export to endnote export to reworks export to ppn to da3 save to list self archive werner heisenberg in selbstzeugnissen und bilddokumenten saved in bibliographic details main author hermann armin 1933 format print

**werner heisenberg in selbstzeugnissen und bilddok albert** - Apr 04 2022

web werner heisenberg in selbstzeugnissen und bilddok is available in our digital library an online access to it is set as public so you can get it instantly our books collection saves in multiple countries allowing you to get the most less latency time to download any of our books like this one merely said the werner heisenberg in

**werner heisenberg in selbstzeugnissen und bilddokumenten** - Nov 11 2022

web buy werner heisenberg in selbstzeugnissen und bilddokumenten by armin hermann online at alibris we have new and used copies available in 1 editions starting at 3 26 shop now

*werner heisenberg in selbstzeugnissen und bilddokumenten* - Oct 10 2022

web jan 1 1976 werner heisenberg in selbstzeugnissen und bilddokumenten rowohlts monographien 240 german edition hermann armin on amazon com free shipping on qualifying offers werner heisenberg in selbstzeugnissen und bilddokumenten rowohlts monographien 240 german edition

*werner heisenberg in selbstzeugnissen und bilddokumenten* - Jul 19 2023

web werner heisenberg in selbstzeugnissen und bilddokumenten book read reviews from world s largest community for readers

werner heisenberg in selbstzeugnissen und bilddokumenten - Aug 20 2023

web werner heisenberg in selbstzeugnissen und bilddokumenten reinbek bei hamburg rowohlt 1976 ocolc 654139869 named person werner heisenberg werner heisenberg werner heisenberg werner heisenberg werner heisenberg werner heisenberg material type biography document type book all authors

*werner heisenberg humboldt universität zu berlin* - Jun 06 2022

web may 20 2015 the physicist werner heisenberg did his degree in munich in the minimum study period of three years and was appointed to universität leipzig in 1927 at the young age of 26 from 1942 to 1945 he headed the kaiser wilhelm institute

of physics in berlin dahlem and also taught as a professor at berliner universität he played a leading role

*tutti i colori della matematica ediz verde con quaderno di* - Feb 17 2023

web tutti i colori della matematica ediz blu algebra con quaderno di inclusione e recupero per per il 1 biennio delle scuole superiori con e book con espansione online vol 2

colori della matematica con quaderno di inclusione e recupero - Aug 11 2022

web colori della matematica con algebra quaderno di inclusione e recupero ediz gialla per le scuole superiori con e book con espansione online vol 1 9788849423150 5

colori della matematica con quaderno inclusione e recupero - Oct 13 2022

web colori della matematica con quaderno di inclusione e recupero ediz gialla per il biennio degli ist professionali per l industria e l artigianato con ebook con vol 1

colori della matematica con quaderno di inclusione e recupero - May 20 2023

web colori della matematica con quaderno di inclusione e recupero ediz gialla per il biennio degli ist professionali per l industria e l artigianato con ebook con espansione

**colori della matematica con algebra quaderno di inclusione e** - Aug 23 2023

web colori della matematica con algebra quaderno di inclusione e recupero ediz gialla per le scuole superiori con e book con espansione online vol 1 copertina flessibile

*colori della matematica con quaderno di inclusione e recupero* - Jun 21 2023

web colori della matematica con quaderno di inclusione e recupero ediz bianca per il biennio degli ist professionali alberghieri con ebook con espansione online vol 1

**tutti i colori della matematica ediz blu con** - Nov 14 2022

web colori della matematica con quaderno di inclusione e recupero ediz bianca per il biennio degli ist professionali alberghieri con ebook con espansione online vol 2 di

*colori della matematica con quaderno di inclusione e recupero* - Feb 05 2022

**colori della matematica con quaderno di inclusione e recupero** - Jul 10 2022

web acquista online il libro tutti i colori della matematica ediz blu geometria con quaderno di inclusione e recupero per per il 1 biennio delle scuole superiori con e book con

*colori della matematica ediz azzurra smart con quaderno di* - Sep 24 2023

web compra colori della matematica ediz azzurra smart con quaderno di inclusione e recupero per il triennio dei licei con e book con espansione online vol 5 spedizione gratuita su ordini idonei

*tutti i colori della matematica ediz blu geometria con* - Apr 07 2022

colori della matematica con quaderno di inclusione - Jul 22 2023

web colori della matematica con quaderno di inclusione e recupero ediz bianca per il biennio degli ist professionali alberghieri con ebook con espansione online vol 2

**tutti i colori della matematica ediz blu algebra con quaderno** - Dec 15 2022

web colori della matematica con quaderno di inclusione e recupero ediz bianca per il biennio degli ist professionali alberghieri con ebook con espansione online vol 2

**colori della matematica con quaderno di inclusione e recupero** - Mar 18 2023

web tutti i colori della matematica ediz blu con quaderno di inclusione e recupero per per il 1 biennio delle scuole superiori con e book con espansione online vol 1

colori della matematica con quaderno di inclusione e recupero - Sep 12 2022

web colori della matematica con quaderno di inclusione e recupero ediz gialla per il biennio degli ist professionali per l industria e l artigianato con ebook con vol 2

**colori della matematica con quaderno di inclusione e recupero** - Jun 09 2022

web tutti i colori della matematica ediz verde con quaderno di inclusione e recupero per il 1 biennio delle scuole superiori con e book con espansione online vol 1

colori della matematica con algebra quaderno di inclusione e - May 08 2022

web colori della matematica con quaderno di inclusione e recupero ediz gialla per il biennio degli ist professionali per l industria e l artigianato con ebook con espansione

**colori della matematica con quaderno di inclusione e** - Apr 19 2023

web tutti i colori della matematica ediz verde con quaderno di inclusione e recupero per il 1 biennio delle scuole superiori con e book con espansione online vol 1 copertina

**tutti i colori della matematica ediz verde con quaderno di** - Mar 06 2022

*tutti i colori della matematica ediz blu con quaderno di* - Jan 16 2023

web colori della matematica con quaderno inclusione e recupero ediz bianca per il secondo biennio delle scuole superiori con e book con espansione online vol a di