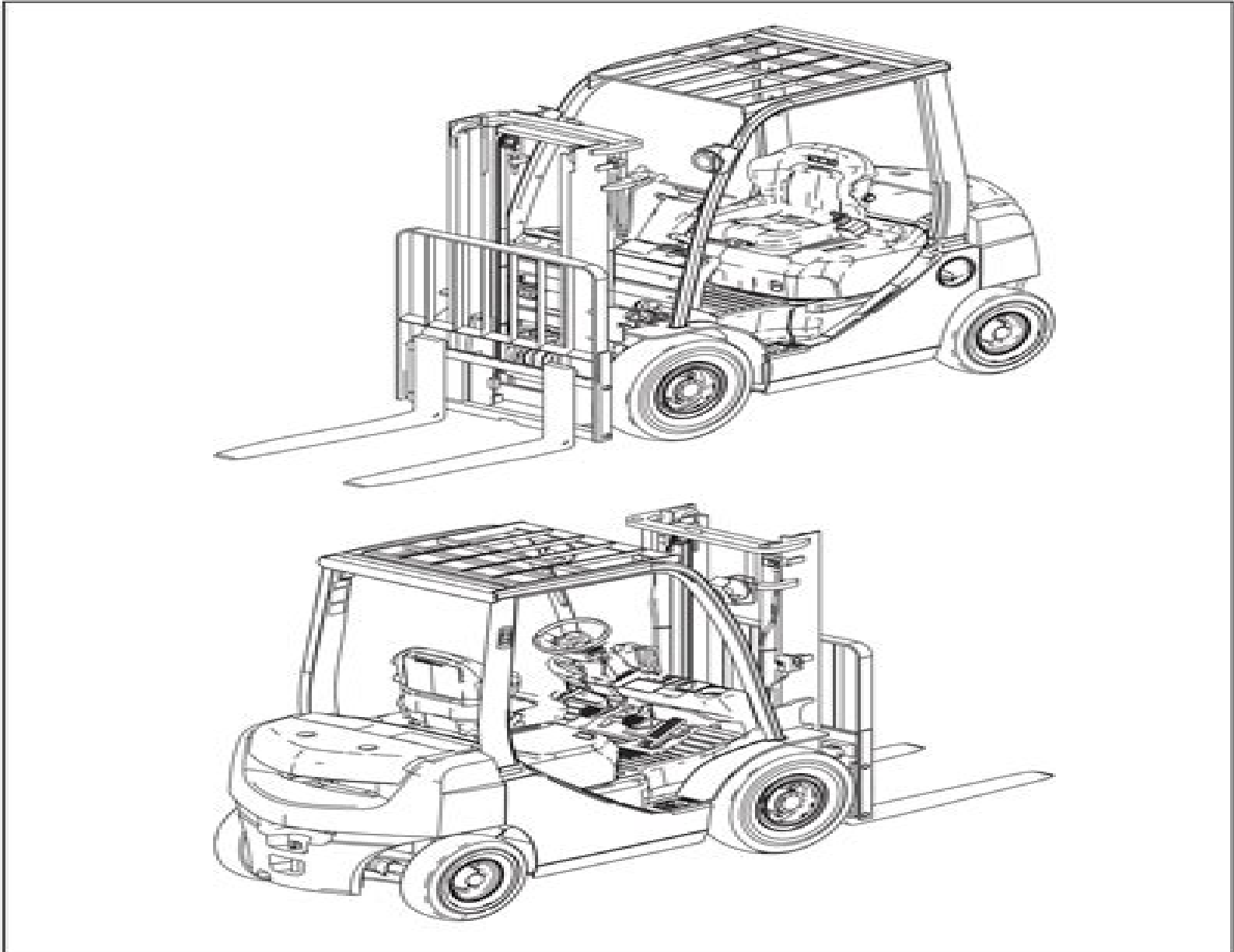


# EXTERIOR VIEWS



# 775bobcat Service Manual

**Christian Drosten**



## **775bobcat Service Manual:**

Getting the books **775bobcat Service Manual** now is not type of challenging means. You could not unaided going afterward ebook hoard or library or borrowing from your friends to right to use them. This is an agreed simple means to specifically get lead by on-line. This online broadcast 775bobcat Service Manual can be one of the options to accompany you considering having additional time.

It will not waste your time. understand me, the e-book will extremely look you other event to read. Just invest tiny times to gain access to this on-line publication **775bobcat Service Manual** as skillfully as review them wherever you are now.

<https://netdata.businessstraveller.com/About/publication/default.aspx/Boeing%20777%20System%20Schematics%20Manual.pdf>

## **Table of Contents 775bobcat Service Manual**

1. Understanding the eBook 775bobcat Service Manual
  - The Rise of Digital Reading 775bobcat Service Manual
  - Advantages of eBooks Over Traditional Books
2. Identifying 775bobcat Service Manual
  - Exploring Different Genres
  - Considering Fiction vs. Non-Fiction
  - Determining Your Reading Goals
3. Choosing the Right eBook Platform
  - Popular eBook Platforms
  - Features to Look for in an 775bobcat Service Manual
  - User-Friendly Interface
4. Exploring eBook Recommendations from 775bobcat Service Manual
  - Personalized Recommendations
  - 775bobcat Service Manual User Reviews and Ratings
  - 775bobcat Service Manual and Bestseller Lists

5. Accessing 775bobcat Service Manual Free and Paid eBooks
  - 775bobcat Service Manual Public Domain eBooks
  - 775bobcat Service Manual eBook Subscription Services
  - 775bobcat Service Manual Budget-Friendly Options
6. Navigating 775bobcat Service Manual eBook Formats
  - ePub, PDF, MOBI, and More
  - 775bobcat Service Manual Compatibility with Devices
  - 775bobcat Service Manual Enhanced eBook Features
7. Enhancing Your Reading Experience
  - Adjustable Fonts and Text Sizes of 775bobcat Service Manual
  - Highlighting and Note-Taking 775bobcat Service Manual
  - Interactive Elements 775bobcat Service Manual
8. Staying Engaged with 775bobcat Service Manual
  - Joining Online Reading Communities
  - Participating in Virtual Book Clubs
  - Following Authors and Publishers 775bobcat Service Manual
9. Balancing eBooks and Physical Books 775bobcat Service Manual
  - Benefits of a Digital Library
  - Creating a Diverse Reading Collection 775bobcat Service Manual
10. Overcoming Reading Challenges
  - Dealing with Digital Eye Strain
  - Minimizing Distractions
  - Managing Screen Time
11. Cultivating a Reading Routine 775bobcat Service Manual
  - Setting Reading Goals 775bobcat Service Manual
  - Carving Out Dedicated Reading Time
12. Sourcing Reliable Information of 775bobcat Service Manual
  - Fact-Checking eBook Content of 775bobcat Service Manual
  - Distinguishing Credible Sources
13. Promoting Lifelong Learning

- Utilizing eBooks for Skill Development
  - Exploring Educational eBooks
14. Embracing eBook Trends
- Integration of Multimedia Elements
  - Interactive and Gamified eBooks

### **775bobcat Service Manual Introduction**

In the digital age, access to information has become easier than ever before. The ability to download 775bobcat Service Manual has revolutionized the way we consume written content. Whether you are a student looking for course material, an avid reader searching for your next favorite book, or a professional seeking research papers, the option to download 775bobcat Service Manual has opened up a world of possibilities. Downloading 775bobcat Service Manual provides numerous advantages over physical copies of books and documents. Firstly, it is incredibly convenient. Gone are the days of carrying around heavy textbooks or bulky folders filled with papers. With the click of a button, you can gain immediate access to valuable resources on any device. This convenience allows for efficient studying, researching, and reading on the go. Moreover, the cost-effective nature of downloading 775bobcat Service Manual has democratized knowledge. Traditional books and academic journals can be expensive, making it difficult for individuals with limited financial resources to access information. By offering free PDF downloads, publishers and authors are enabling a wider audience to benefit from their work. This inclusivity promotes equal opportunities for learning and personal growth. There are numerous websites and platforms where individuals can download 775bobcat Service Manual. These websites range from academic databases offering research papers and journals to online libraries with an expansive collection of books from various genres. Many authors and publishers also upload their work to specific websites, granting readers access to their content without any charge. These platforms not only provide access to existing literature but also serve as an excellent platform for undiscovered authors to share their work with the world. However, it is essential to be cautious while downloading 775bobcat Service Manual. Some websites may offer pirated or illegally obtained copies of copyrighted material. Engaging in such activities not only violates copyright laws but also undermines the efforts of authors, publishers, and researchers. To ensure ethical downloading, it is advisable to utilize reputable websites that prioritize the legal distribution of content. When downloading 775bobcat Service Manual, users should also consider the potential security risks associated with online platforms. Malicious actors may exploit vulnerabilities in unprotected websites to distribute malware or steal personal information. To protect themselves, individuals should ensure their devices have reliable antivirus software installed and validate the legitimacy of the websites they are downloading from. In conclusion, the ability to download 775bobcat Service

Manual has transformed the way we access information. With the convenience, cost-effectiveness, and accessibility it offers, free PDF downloads have become a popular choice for students, researchers, and book lovers worldwide. However, it is crucial to engage in ethical downloading practices and prioritize personal security when utilizing online platforms. By doing so, individuals can make the most of the vast array of free PDF resources available and embark on a journey of continuous learning and intellectual growth.

## **FAQs About 775bobcat Service Manual Books**

1. Where can I buy 775bobcat Service Manual books? Bookstores: Physical bookstores like Barnes & Noble, Waterstones, and independent local stores. Online Retailers: Amazon, Book Depository, and various online bookstores offer a wide range of books in physical and digital formats.
2. What are the different book formats available? Hardcover: Sturdy and durable, usually more expensive. Paperback: Cheaper, lighter, and more portable than hardcovers. E-books: Digital books available for e-readers like Kindle or software like Apple Books, Kindle, and Google Play Books.
3. How do I choose a 775bobcat Service Manual book to read? Genres: Consider the genre you enjoy (fiction, non-fiction, mystery, sci-fi, etc.). Recommendations: Ask friends, join book clubs, or explore online reviews and recommendations. Author: If you like a particular author, you might enjoy more of their work.
4. How do I take care of 775bobcat Service Manual books? Storage: Keep them away from direct sunlight and in a dry environment. Handling: Avoid folding pages, use bookmarks, and handle them with clean hands. Cleaning: Gently dust the covers and pages occasionally.
5. Can I borrow books without buying them? Public Libraries: Local libraries offer a wide range of books for borrowing. Book Swaps: Community book exchanges or online platforms where people exchange books.
6. How can I track my reading progress or manage my book collection? Book Tracking Apps: Goodreads, LibraryThing, and Book Catalogue are popular apps for tracking your reading progress and managing book collections. Spreadsheets: You can create your own spreadsheet to track books read, ratings, and other details.
7. What are 775bobcat Service Manual audiobooks, and where can I find them? Audiobooks: Audio recordings of books, perfect for listening while commuting or multitasking. Platforms: Audible, LibriVox, and Google Play Books offer a wide selection of audiobooks.
8. How do I support authors or the book industry? Buy Books: Purchase books from authors or independent bookstores.

Reviews: Leave reviews on platforms like Goodreads or Amazon. Promotion: Share your favorite books on social media or recommend them to friends.

9. Are there book clubs or reading communities I can join? Local Clubs: Check for local book clubs in libraries or community centers. Online Communities: Platforms like Goodreads have virtual book clubs and discussion groups.
10. Can I read 775bobcat Service Manual books for free? Public Domain Books: Many classic books are available for free as they're in the public domain. Free E-books: Some websites offer free e-books legally, like Project Gutenberg or Open Library.

### Find 775bobcat Service Manual :

~~boeing 777 system schematics manual~~

**garden creatures earth sounds level two/ three**

**brolach alpha warriors of the demonic the demon series book 1**

*fishermen and fishing ways*

**bmw 97 318ti owners manual**

~~fishermen and fishing ways~~

~~economics lipsey 12th edition solutions manual~~

*nature vs nurture research paper*

zenith z50px2d 50 in hdtv service manual

**1 000 facts about the bible**

**boeing 777 wheel manual**

~~boeing 777 operations manual~~

*historic salem in four seasons a camera*

osha post program test answers

**bmw 99 323i manual**

### 775bobcat Service Manual :

**evolutionary dynamics and extensive form games researchgate** - Jul 01 2022

web jan 1 2003 in this paper we focus on dynamics for the sequence form of extensive form games providing three dynamics one realization equivalent to the normal form



*17 810s21 game theory lecture slides 4 extensive form* - May 11 2023

web mit 1 where we are where we are headed we now consider dynamic games where players make multiple sequential moves we still consider complete information

**evolutionary dynamics extensive form games mit pre copy** - Feb 08 2023

web evolutionary dynamics extensive form games mit pre evolutionary game dynamics game theory applications in network design the microeconomics of complex

*evolutionary dynamics and extensive form games mit press* - Jul 13 2023

web an analysis of standard evolutionary dynamics adapted to extensive form games evolutionary game theory attempts to predict individual behavior whether of humans or

*evolutionary dynamics extensive form games mit pre book* - Mar 09 2023

web evolutionary dynamics extensive form games mit pre works of game feb 28 2023 an exploration of the relationship between games and art that examines the ways that

**efficient evolutionary dynamics with extensive form games** - May 31 2022

web to the best of our knowledge we provide in this paper the first replicator dynamics applicable to the sequence form of an extensive form game allowing an exponential

efficient evolutionary dynamics with extensive form games - Apr 10 2023

web apr 4 2013 to the best of our knowledge we provide in this paper the first replicator dynamics applicable to the sequence form of an extensive form game allowing an

*evolutionary dynamics extensive form games mit pre pdf* - Jan 07 2023

web introduction evolutionary dynamics extensive form games mit pre pdf 2023 title evolutionary dynamics extensive form games mit pre pdf 2023

evolutionary dynamics and extensive form games vol 1 - Jan 27 2022

web the book offers a synthesis of current knowledge about extensive form games from an evolutionary perspective emphasizing connections between the extensive form

*efficient evolutionary dynamics with extensive form games* - Apr 29 2022

web dec 28 2020 the sequence form of an extensive form game allowing an exponential reduction of time and space w r t the currently adopted replicator dynamics for normal

evolutionary dynamics wikipedia - Oct 24 2021

web evolutionary dynamics evolutionary dynamics is the study of the mathematical principles according to which biological organisms as well as cultural ideas evolve and

*ross cressman evolutionary dynamics and extensive form* - Nov 05 2022

web feb 1 2006 download citation on feb 1 2006 william h sandholm published ross cressman evolutionary dynamics and extensive form games mit press

*evolutionary dynamics and extensive form games mit press* - Aug 14 2023

web jun 6 2003 evolutionary dynamics and extensive form games by ross cressman hardcover 330 pp 6 x 9 in 62 illus hardcover 9780262033053 published june 6

**efficient evolutionary dynamics with extensive form games** - Nov 24 2021

web apr 27 2013 pdf evolutionary game theory combines game theory and dynamical systems and is customarily adopted to describe evolutionary dynamics in

evolutionary dynamics and extensive form games google books - Feb 25 2022

web an analysis of standard evolutionary dynamics adapted to extensive form games evolutionary game theory attempts to predict individual behavior whether of humans or

**evolutionary dynamics and extensive form games books** - Dec 06 2022

web an analytics of standard evolutionary dynamics custom to extensive form games evolutionary game theory experiments to predict individual behavior whether of

**thursday dec 9 lecture 24 extensive form dynamic games** - Dec 26 2021

web the normal form game but to find a subgame perfect nash equilibrium with time consistent strategies we need a different game structure the extensive form game we will

**efficient evolutionary dynamics with extensive form games** - Mar 29 2022

web jun 30 2013 show full abstract paper we focus on dynamics for the sequence form of extensive form games providing three dynamics one realization equivalent to the

**evolutionary dynamics and extensive form games mit press** - Jun 12 2023

web 2003 index evolutionary dynamics and extensive form games ross cressman download citation file ris zotero reference manager easybib bookends mendeley

evolutionary game theory springerlink - Oct 04 2022

web aug 21 2020 importantly many classes of normal form games are weakly acyclic in better replies these include potential games dominance solvable games certain

evolutionary dynamics and extensive form games ideas repec - Sep 03 2022

web the book offers a synthesis of current knowledge about extensive form games from an evolutionary perspective emphasizing connections between the extensive form

[mit press](#) - Aug 02 2022

web mit press

**evolutionary dynamics and extensive form games mit press** - Sep 22 2021

web about mit press direct customer support librarians search dropdown menu header search search input search input auto suggest browse books about librarians

[aljabar linear elementer versi aplikasi jilid 1](#) - Oct 04 2022

web semoga bermanfaat jangan lupa like nya memberi saya semangat untuk terus buat video

**aljabar linear elementer by howard anton tokopedia** - Dec 26 2021

**aljabar linear elementer howard anton edisi 9 2022** - Aug 02 2022

web ya allah ampunilah dosa dosa kami la pangkanlah dada kami sehatkanlah kami dan berilah kami kekuatan sehingga kami mampu memperlihatkan kekuatan dan keindahan

**author search results onesearch id** - Dec 06 2022

web oleh howard anton alih bahasa pantur silaban i nyoman susila erlangga 1995

*aljabar linear howard anton edisi 9 transformasi linear lat* - May 31 2022

web jual beli aljabar linier elementer online terlengkap aman nyaman di tokopedia beli aneka produk aljabar linier elementer online terlengkap dengan mudah cepat aman

*aljabar linear elementer howard anton edisi 9 pdf full pdf* - Nov 05 2022

web 2 aljabar linear elementer howard anton edisi 9 2020 08 28 are increasingly a standard part of the undergraduate curriculum this outstanding text offers an unusual

**jual aljabar linier elementer murah terbaik tokopedia** - Jan 27 2022

web aljabar linier elementer oleh howard anton penerjemah pantur silaban i nyoman susila erlangga 1991 kata kunci linear algebra aljabar linier edisi third edition

**pdf aljabar linear elementer kurniawan** - Jul 01 2022

web may 6 2023 aljabar linear elementer howard anton edisi 9 is available in our book collection an online access to it is set as public so you can get it instantly our digital

*aljabar linear elementer universitas indonesia library* - Sep 03 2022

web elementary linear algebra 11th edition gives an elementary treatment of linear algebra that is suitable for a first course for undergraduate students the aim is to present the

*elementary linear algebra anton howard 9780470559918* - Nov 24 2021

**aljabar linier elementer anton and rorres** - Jun 12 2023

web isbn 9781118473504 howard anton textbook solutions verified chapter 1 systems of linear equations and matrices section 1 1 introduction to systems of linear equations

download buku aljabar linier howard anton - May 11 2023

web beli koleksi aljabar linear elementer howard anton online lengkap edisi harga terbaru september 2023 di tokopedia promo pengguna baru kurir instan bebas ongkir

elementary linear algebra by howard anton 10th edition - Feb 08 2023

web web jual beli buku aljabar linear elementer howard anton edisi 5 terlengkap secara online dengan mudah dan cepat kapanpun dimanapun di tokopedia sekarang lihat

aljabar linear elementer howard anton tokopedia - Mar 09 2023

web menampilkan 1 20 of 187 untuk pencarian howard anton lama mencari 0 09s elementary linear algebra application version edisi 7 oleh howard anton

elementary linear algebra 9th edition textbook solutions chegg - Aug 14 2023

web a linear equation in the variables to be one that can be expressed in the form where and are real constants to determine the linear equations among the given we need to

*elementary linear algebra anton howard amazon com tr kitap* - Apr 29 2022

web aljabar linear elementer by howard anton di tokopedia promo pengguna baru cicilan 0 kurir instan beli aljabar linear elementer by howard anton di

**aljabar linier elementer universitas indonesia library** - Sep 22 2021

download ebook aljabar linear elementer howard anton jilid 1 - Oct 24 2021

*pdf aljabar linier elementer nov andi academia edu* - Mar 29 2022

web feb 2 2010 there is a newer edition of this item elementary linear algebra 152 65 7 only 1 left in stock more on the way when it comes to learning linear algebra

**aljabar linear elementer howard anton alih bahasa pantur** - Jul 13 2023

web sep 13 2023 aljabar linear elementer howard anton alih bahasa pantur silaban i nyoman susila editor rizal hutauruk judul asli elementary linear algebra judul

elementary linear algebra 11th edition solutions and answers - Apr 10 2023

web download aljabar linear elementer howard anton pdf pdf type pdf date november 2020 size 175 7kb author rita fajriati

this document was uploaded by user and they

[aljabar linear elementer howard anton edisi 9 uniport edu](#) - Feb 25 2022

web you can download pdf versions of the user s guide manuals and ebooks about download ebook aljabar linear elementer howard anton jilid 1 you can also find and download

**download aljabar linear elementer howard anton pdf pdf** - Jan 07 2023

web edisi eighth edition catatan seri catatan umum catatan versi asli judul asli elementary linear algebra applications version deskripsi fisik xvii 526 p 25 cm

**holden hugs the world cyberlab sutd edu sg** - Aug 22 2022

web holden hugs the world aug 31 2023 from time to time everyone needs a hug fortunately that is what holden came to earth to do meet holden holden space when earth needed help it called out for some love so holden went down and gave earth a hug holden hugs the world is a wholesome tale about

[holden hugs the world](#) - Oct 04 2023

web holden hugs the world is a 2021 gold medal winner of the moonbeam spirit awards each year a handful of standouts are chosen for their dedication to children s literacy and for inspired writing illustrating and publishing available at amazon com for educational and wholesale orders contact customerservice ingrambook com 1 800 937 8200

[gaza mother i m not able to hug my children bbc news](#) - Feb 13 2022

web 1 day ago gaza mother i m not able to hug my children amani ahmed left her husband and children who are eight 13 and 15 in gaza last month unaware that war would break out just a few days later she

[every wcw wwe hulk hogan world title reign ranked](#) - Apr 17 2022

web dec 22 2019 hulk hogan remains polarizing for many fans but no one can discount what he has meant to the world of professional wrestling he was the man at the center of the rise of wwe in the 80s as hulkamania was a big part of the rock and wrestling connection and he helped bring wwe into the mainstream in the 90s he was the

**holden hugs the world by jon marro brightstory** - Apr 29 2023

web holden hugs the world is a wholesome tale about a being whose mission is to spread love by hugging each and every thing embracing the issues of diversity inclusion and environmental awareness holden s story invites readers to open their arms minds and hearts to a more connected and compassionate world

[holden hugs the world google books](#) - Jul 01 2023

web holden hugs the world is a wholesome tale about a being whose mission is to spread love by hugging each and every thing embracing the issues of diversity inclusion and environmental awareness holden s story invites readers to open their arms minds and hearts to a more connected and compassionate world

**holden hugs the world marro jon wojcik blair tsouprake** - Sep 22 2022

web dec 3 2019 holden hugs the world marro jon wojcik blair tsouprake irene on amazon com free shipping on qualifying offers holden hugs the world

*holden hugs the world by jon marro goodreads* - Sep 03 2023

web dec 3 2019 holden hugs the world is a wholesome tale about a being whose mission is to spread love by hugging each and every thing embracing the issues of diversity inclusion and environmental awareness holden s story invites readers to open their arms minds and hearts to a more connected and compassionate world 34 pages paperback

**holden hugs the world powell s books** - Nov 24 2022

web holden hugs the world by jon marro available in hardcover on powells com also read synopsis and reviews from time to time everyone needs a hug fortunately that is what holden came to earth to do meet

**hollywood hulk hogan amazon com** - Mar 17 2022

web nov 19 2002 hogan covers all the key moments in his long career his early incarnation in the late 1970s as super destroyer the birth of the good guy hulk hogan persona joining forces with vince mcmahon jr in the hugely popular wrestlemania events of the 1980s his admission in the early 1990s of his steroid use and his current reincarnation as a good

*holden hugs the world wildman s books* - Jan 27 2023

web holden hugs the world is a wholesome tale about a being whose mission is to spread love by hugging each and every thing embracing the issues of diversity inclusion and environmental awareness holden s story invites readers to open their arms minds and hearts to a more connected and compassionate world isbn 9781734190694

*holden hugs the world hardcover bunch of grapes bookstore* - Feb 25 2023

web holden hugs the world is a wholesome tale about a being whose mission is to spread love by hugging each and every thing embracing the issues of diversity inclusion and environmental awareness holden s story invites readers to open their arms minds and hearts to a more connected and compassionate world

**holden hugs the world** - May 19 2022

web holden hugs the world the world needs hugs jul 02 2023 hug therapy sep 23 2022 discover the healing power of hugs and how they can improve your life and your world in twnty one days with this amazing guide dr stone s prescription is for a twenty one second hug today and every day one of the many benefits of hugging is that

buy holden hugs the world book by jon marro - Jul 21 2022

web dec 3 2019 132 available add to cart select conditions good 12 58 new 10 05 see all editions book overview this description may be from another edition of this product from time to time everyone needs a hug fortunately

**holden hugs the world books2door** - Jun 19 2022

web find holden hugs the world from publishers worlds within books at books2door delivery free delivery for orders over 40 we aim to process and dispatch our orders within 24 hours the orders go into our warehouse to be picked packed and consolidated into one parcel where appropriate please note orders

[holden hugs the world by jon marro paperback barnes noble](#) - Dec 26 2022

web dec 3 2019 from time to time everyone needs a hug fortunately that is what holden came to earth to do meet holden holden space ldquo when earth needed help it called out for some love so holden went down and gave earth a

*holden hugs the world amazon com* - Aug 02 2023

web dec 3 2019 holden hugs the world is a wholesome tale about a being whose mission is to spread love by hugging each and every thing embracing the issues of diversity inclusion and environmental awareness holden s story invites readers to open their arms minds and hearts to a more connected and compassionate world read more

*holden hugs the world bookshop* - Mar 29 2023

web holden hugs the world is a wholesome tale about a being whose mission is to spread love by hugging each and every thing embracing the issues of diversity inclusion and environmental awareness holden s story invites readers to open their arms minds and hearts to a more connected and compassionate world

[holden hugs the world alibris](#) - Oct 24 2022

web holden hugs the world is a wholesome tale about a being whose mission is to spread love by hugging each and every thing on earth embracing the issues of diversity inclusion and environmental awareness holden s story invites readers to open their arms minds and hearts to a more connected and compassionate world read more

*holden hugs the world marro jon wojcik blair tsouprake* - May 31 2023

web hello select your address all