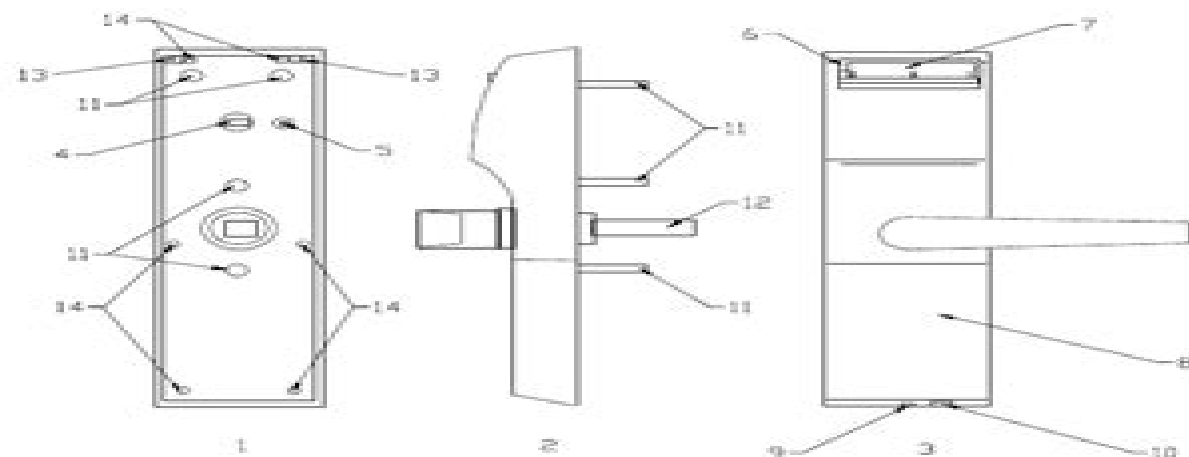


HT28 Dual / ADVANCE Dual Technology Lockset



- 1. Rear View
- 2. Side View
- 3. Front View
- 4. Privacy Indicator Connection
- 5. Clear Button
- 6. Light Indicators
- 7. Card Insertion Slot

- 8. Battery Access Cover
- 9. Battery Access Cover Screw
- 10. Portable Programmer Connection
- 11. Mounting Posts
- 12. Spindle
- 13. Escutcheon Screws
- 14. Back Cover Screws

[HT Dual shows above]

Onity Ht 28 Manual

WJ Hussar



Onity Ht 28 Manual:

The book delves into Onity Ht 28 Manual. Onity Ht 28 Manual is a vital topic that must be grasped by everyone, ranging from students and scholars to the general public. The book will furnish comprehensive and in-depth insights into Onity Ht 28 Manual, encompassing both the fundamentals and more intricate discussions.

1. The book is structured into several chapters, namely:

- Chapter 1: Introduction to Onity Ht 28 Manual
- Chapter 2: Essential Elements of Onity Ht 28 Manual
- Chapter 3: Onity Ht 28 Manual in Everyday Life
- Chapter 4: Onity Ht 28 Manual in Specific Contexts
- Chapter 5: Conclusion

2. In chapter 1, the author will provide an overview of Onity Ht 28 Manual. This chapter will explore what Onity Ht 28 Manual is, why Onity Ht 28 Manual is vital, and how to effectively learn about Onity Ht 28 Manual.
3. In chapter 2, this book will delve into the foundational concepts of Onity Ht 28 Manual. The second chapter will elucidate the essential principles that need to be understood to grasp Onity Ht 28 Manual in its entirety.
4. In chapter 3, this book will examine the practical applications of Onity Ht 28 Manual in daily life. This chapter will showcase real-world examples of how Onity Ht 28 Manual can be effectively utilized in everyday scenarios.
5. In chapter 4, the author will scrutinize the relevance of Onity Ht 28 Manual in specific contexts. This chapter will explore how Onity Ht 28 Manual is applied in specialized fields, such as education, business, and technology.
6. In chapter 5, the author will draw a conclusion about Onity Ht 28 Manual. This chapter will summarize the key points that have been discussed throughout the book.

The book is crafted in an easy-to-understand language and is complemented by engaging illustrations. It is highly recommended for anyone seeking to gain a comprehensive understanding of Onity Ht 28 Manual.

https://netdata.businesstraveller.com/book/book-search/Documents/a_familiar_star_romance_mystery_english_edition.pdf

Table of Contents Onity Ht 28 Manual

1. Understanding the eBook Onity Ht 28 Manual

- The Rise of Digital Reading Onity Ht 28 Manual
 - Advantages of eBooks Over Traditional Books
2. Identifying Onity Ht 28 Manual
 - Exploring Different Genres
 - Considering Fiction vs. Non-Fiction
 - Determining Your Reading Goals
 3. Choosing the Right eBook Platform
 - Popular eBook Platforms
 - Features to Look for in an Onity Ht 28 Manual
 - User-Friendly Interface
 4. Exploring eBook Recommendations from Onity Ht 28 Manual
 - Personalized Recommendations
 - Onity Ht 28 Manual User Reviews and Ratings
 - Onity Ht 28 Manual and Bestseller Lists
 5. Accessing Onity Ht 28 Manual Free and Paid eBooks
 - Onity Ht 28 Manual Public Domain eBooks
 - Onity Ht 28 Manual eBook Subscription Services
 - Onity Ht 28 Manual Budget-Friendly Options
 6. Navigating Onity Ht 28 Manual eBook Formats
 - ePub, PDF, MOBI, and More
 - Onity Ht 28 Manual Compatibility with Devices
 - Onity Ht 28 Manual Enhanced eBook Features
 7. Enhancing Your Reading Experience
 - Adjustable Fonts and Text Sizes of Onity Ht 28 Manual
 - Highlighting and Note-Taking Onity Ht 28 Manual
 - Interactive Elements Onity Ht 28 Manual
 8. Staying Engaged with Onity Ht 28 Manual
 - Joining Online Reading Communities
 - Participating in Virtual Book Clubs
 - Following Authors and Publishers Onity Ht 28 Manual

9. Balancing eBooks and Physical Books Onity Ht 28 Manual
 - Benefits of a Digital Library
 - Creating a Diverse Reading Collection Onity Ht 28 Manual
10. Overcoming Reading Challenges
 - Dealing with Digital Eye Strain
 - Minimizing Distractions
 - Managing Screen Time
11. Cultivating a Reading Routine Onity Ht 28 Manual
 - Setting Reading Goals Onity Ht 28 Manual
 - Carving Out Dedicated Reading Time
12. Sourcing Reliable Information of Onity Ht 28 Manual
 - Fact-Checking eBook Content of Onity Ht 28 Manual
 - Distinguishing Credible Sources
13. Promoting Lifelong Learning
 - Utilizing eBooks for Skill Development
 - Exploring Educational eBooks
14. Embracing eBook Trends
 - Integration of Multimedia Elements
 - Interactive and Gamified eBooks

Onity Ht 28 Manual Introduction

In today's digital age, the availability of Onity Ht 28 Manual books and manuals for download has revolutionized the way we access information. Gone are the days of physically flipping through pages and carrying heavy textbooks or manuals. With just a few clicks, we can now access a wealth of knowledge from the comfort of our own homes or on the go. This article will explore the advantages of Onity Ht 28 Manual books and manuals for download, along with some popular platforms that offer these resources. One of the significant advantages of Onity Ht 28 Manual books and manuals for download is the cost-saving aspect. Traditional books and manuals can be costly, especially if you need to purchase several of them for educational or professional purposes. By accessing Onity Ht 28 Manual versions, you eliminate the need to spend money on physical copies. This not only saves you money but also reduces the environmental impact associated with book production and transportation. Furthermore, Onity Ht 28 Manual books and manuals for download are incredibly convenient. With just a

computer or smartphone and an internet connection, you can access a vast library of resources on any subject imaginable. Whether you're a student looking for textbooks, a professional seeking industry-specific manuals, or someone interested in self-improvement, these digital resources provide an efficient and accessible means of acquiring knowledge. Moreover, PDF books and manuals offer a range of benefits compared to other digital formats. PDF files are designed to retain their formatting regardless of the device used to open them. This ensures that the content appears exactly as intended by the author, with no loss of formatting or missing graphics. Additionally, PDF files can be easily annotated, bookmarked, and searched for specific terms, making them highly practical for studying or referencing. When it comes to accessing Onity Ht 28 Manual books and manuals, several platforms offer an extensive collection of resources. One such platform is Project Gutenberg, a nonprofit organization that provides over 60,000 free eBooks. These books are primarily in the public domain, meaning they can be freely distributed and downloaded. Project Gutenberg offers a wide range of classic literature, making it an excellent resource for literature enthusiasts. Another popular platform for Onity Ht 28 Manual books and manuals is Open Library. Open Library is an initiative of the Internet Archive, a non-profit organization dedicated to digitizing cultural artifacts and making them accessible to the public. Open Library hosts millions of books, including both public domain works and contemporary titles. It also allows users to borrow digital copies of certain books for a limited period, similar to a library lending system. Additionally, many universities and educational institutions have their own digital libraries that provide free access to PDF books and manuals. These libraries often offer academic texts, research papers, and technical manuals, making them invaluable resources for students and researchers. Some notable examples include MIT OpenCourseWare, which offers free access to course materials from the Massachusetts Institute of Technology, and the Digital Public Library of America, which provides a vast collection of digitized books and historical documents. In conclusion, Onity Ht 28 Manual books and manuals for download have transformed the way we access information. They provide a cost-effective and convenient means of acquiring knowledge, offering the ability to access a vast library of resources at our fingertips. With platforms like Project Gutenberg, Open Library, and various digital libraries offered by educational institutions, we have access to an ever-expanding collection of books and manuals. Whether for educational, professional, or personal purposes, these digital resources serve as valuable tools for continuous learning and self-improvement. So why not take advantage of the vast world of Onity Ht 28 Manual books and manuals for download and embark on your journey of knowledge?

FAQs About Onity Ht 28 Manual Books

How do I know which eBook platform is the best for me? Finding the best eBook platform depends on your reading preferences and device compatibility. Research different platforms, read user reviews, and explore their features before

making a choice. Are free eBooks of good quality? Yes, many reputable platforms offer high-quality free eBooks, including classics and public domain works. However, make sure to verify the source to ensure the eBook credibility. Can I read eBooks without an eReader? Absolutely! Most eBook platforms offer web-based readers or mobile apps that allow you to read eBooks on your computer, tablet, or smartphone. How do I avoid digital eye strain while reading eBooks? To prevent digital eye strain, take regular breaks, adjust the font size and background color, and ensure proper lighting while reading eBooks. What the advantage of interactive eBooks? Interactive eBooks incorporate multimedia elements, quizzes, and activities, enhancing the reader engagement and providing a more immersive learning experience. Onity Ht 28 Manual is one of the best book in our library for free trial. We provide copy of Onity Ht 28 Manual in digital format, so the resources that you find are reliable. There are also many Ebooks of related with Onity Ht 28 Manual. Where to download Onity Ht 28 Manual online for free? Are you looking for Onity Ht 28 Manual PDF? This is definitely going to save you time and cash in something you should think about.

Find Onity Ht 28 Manual :

**a familiar star romance mystery english edition
manual alfa r36 espanol**

[onity ht 22 manual](#)

xtreme paper 97nov 21

method statement for electrical wiring

[where can i buy an owner manual for my car](#)

good food and how to cook it

dodge caravan brake service manual

~~naughty experiments lusty first time lesbian erotic romance english edition~~

what does a scholarship essay look like

2014 exams result jce

[practice 8 2 special right triangles form g answers](#)

~~germany since unification~~

97 nissan altima fuel box diagra

~~peugeot 405 wiring diagram problem~~

Onity Ht 28 Manual :

Test Bank for Fundamentals of Nursing 10th Edition by ... Feb 13, 2023 — This is a Test Bank (Study Questions) to help you study for your Tests. No delay, the download is quick and instantaneous right after you ... Test Bank for Fundamentals of Nursing 10th Edition by ... Test Bank for Fundamentals of Nursing, 10th Edition by Taylor is a comprehensive and essential assessment tool designed to support nursing educators. Fundamentals of Nursing 9th Edition Taylor Test Bank-1-10 Fundamentals of Nursing 9th Edition Taylor Test Bank-1-10 chapter introduction to nursing an oncology nurse with 15 years of experience, certification in ... Chapter 01 - Fundamentals of Nursing 9th edition - test bank Chapter 01 - Fundamentals of Nursing 9th edition - test bank. Course: Nursing I (NUR 131). Test Bank for Fundamentals of Nursing 10th by Taylor With over 2000 practice exam questions and answers, the Test Bank for Fundamentals of Nursing (10th) by Taylor will help you reinforce essential nursing concepts. Test Bank - Fundamentals of Nursing (9th Edition ... - Docsity Download Test Bank - Fundamentals of Nursing (9th Edition by Taylor).pdf and more Nursing Exams in PDF only on Docsity! Fundamentals of Nursing: Testbank: Taylor, C., et al Edition. 3rd edition ; Publisher. Lippincott Williams and Wilkins ; Publication date. December 18, 1996 ; Language. English ; Print length. 144 pages. Fundamentals of Nursing 9th Edition Taylor.pdf - TEST ... The nursing process is used by the nurse to identify the patient's health care needs and strengths, to establish and carry out a plan of care. Fundamentals of Nursing 10th Edition by taylor Test Bank Test Bank for Fundamentals of Nursing 10th Edition Chapter 1-47 | Complete Guide Version 2023. Download All Chapters. Fundamentals of Nursing NCLEX Practice Quiz (600 ... Oct 5, 2023 — 1 nursing test bank & nursing practice questions for fundamentals of nursing. With 600 items to help you think critically for the NCLEX. Discovery Workshop Manual This Workshop Manual is designed to assist skilled technicians in the efficient repair and maintenance of. Land Rover vehicles. Individuals who undertake their ... Workshop Manual Discovery I 1994-98 - Rovers North Workshop Manual & Binder 1994-98 Disco I. \$152.25 MSRP: \$164.94 You Save: 7.7%. Add with. Land Rover Discovery Workshop Manual Owners Edition ... This manual will help the practical owner carry out basic maintenance and repairs & includes workshop manuals SJR900ENWN & LRL0079Eng, parts catalogue RTC9947CF ... Manuals For Discovery I Need a manual for your Land Rover Discovery I? Head to RoverParts.com. We carry manuals for your Rover, along with the parts and accessories to service and ... 1996 Land Rover Discovery 1 Service Repair Manual Jul 9, 2022 — This Workshop Manual is designed to assist skilled technicians in the efficient repair and maintenance of Land Rover vehicles. Individuals who ... Discovery 1995-on Body Repair Manual The specification details and instructions set out in this Manual apply only to a range of vehicles and not ... 1. REPAIR. FRONT DOOR. Service repair no - 76.28. Repair Manuals & Literature for Land Rover Discovery Get the best deals on Repair Manuals & Literature for Land Rover Discovery when you shop the largest online selection at eBay.com. Land Rover Discovery (1989 - 1998) Detailed repair guides and DIY insights for 1989-1998 Land Rover Discovery's maintenance with a Haynes manual ... Chapter 1: Routine maintenance and

servicing pdf Land Rover Manuals Land Rover workshop manual and parts catalogue download pdf files for free, Defender, Discovery, Range Rover and Series Land Rover 4x4. Disco 1 - Workshop manual | LandyZone - Land Rover Forum Dec 5, 2019 — Hi I can PDF the original Discovery 200tdi workshop manual, first off am I allowed to post it on the forum?

Spreadsheet Modeling & Decision Analysis (6th Edition) ... Access Spreadsheet Modeling & Decision Analysis 6th Edition solutions now. Our solutions are written by Chegg experts so you can be assured of the highest ... Spreadsheet Modeling & Decision Analysis 6th Edition Access Spreadsheet Modeling & Decision Analysis 6th Edition Chapter 6 solutions now. Our solutions are written by Chegg experts so you can be assured of the ... Solution Manual for Spreadsheet Modeling and Decision ... Solution Manual for Spreadsheet Modeling and Decision Analysis a Practical Introduction to Management Science 6th Edition by Ragsdale Full Download - Free ... Solution Manual for Spreadsheet Modeling and Decision ... View Test prep - Solution Manual for Spreadsheet Modeling and Decision Analysis A Practical Introduction to Business from TEST BANK 132 at DeVry University, ... Solutions manual for spreadsheet modeling and decision ... May 25, 2018 — Solutions Manual for Spreadsheet Modeling and Decision Analysis A Practical Introduction to Business Analytics 7th Edition by Cliff Ragsdale ... Spreadsheet Modeling & Decision Analysis SPREADSHEET MODELING AND DECISION ANALYSIS, Sixth Edition, provides instruction in the most commonly used management science techniques and shows how these ... Practical Management Science 6th Edition, WINSTON Textbook solutions for Practical Management Science 6th Edition WINSTON and others in this series. View step-by-step homework solutions for your homework. Spreadsheet Modeling & Decision Analysis [6 ed.] ... SPREADSHEET MODELING AND DECISION ANALYSIS, Sixth Edition, provides instruction in the most commonly used management sci... Complete Solution Manual Spreadsheet Modeling And ... Jun 20, 2023 — Complete Solution Manual Spreadsheet Modeling And Decision Analysis A Practical Introduction To Business Analytics 8th Edition Questions & ... Solution Manual for Spreadsheet Modeling and Decision ... Solution Manual for Spreadsheet Modeling and Decision Analysis 8th Edition by Ragsdale. Chapter 1. Introduction to Modeling & Problem Solving.