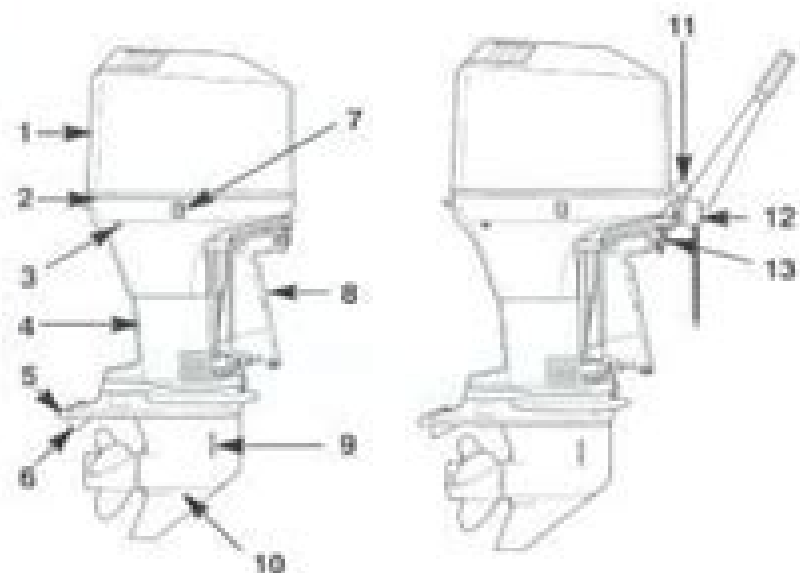


GENERAL INFORMATION

SPECIFICATIONS

Models	75	90	100	115	125
Horsepower	75	90	100	115	125
Kilowatts	56	67	75	86	93
Full Throttle RPM Range	4750-5250	5000-5500		4750-5250	
Idle Speed in Forward Gear	650-700 RPM				
Number of Cylinders	3		4		
Piston Displacement	84.57 cu. in. (1385.8cc)		112.76 cu. in. (1847.8cc)		
Cylinder Bore	3.500 in. (88.9mm)				
Stroke	2.930 in. (74mm)				
Recommended Spark Plug	NGK BL44N-2		NGK BP6H-N-10		
Spark Plug Gap	Surface Gap		.040 in. (1.0mm)		
Gear Ratio	2.3:1		2.07:1		
Recommended Gasoline	Refer to Fuel Section				
Recommended Oil	Refer to Fuel Section				
Gear Case Lubricant Capacity	22.5 fl. oz. (666 ml)				
Battery Rating	630 Marine Cranking Amps (MCA) or 490 Cold Cranking Amps (CCA)				

GENERAL INFORMATION



COMPONENT IDENTIFICATION

- | | |
|--|---------------------------------------|
| 1. Top Cowl | 8. Transom Brackets |
| 2. Bottom Cowl | 9. Cooling Water Intake |
| 3. Water Pump Indicator Hole | 10. Gear Case |
| 4. Drive Shaft Housing | 11. Shift Handle |
| 5. Anti-Ventilation Plate | 12. Lanyard Stop Switch |
| 6. Trim Tab | 13. Steering Friction Adjustment Knob |
| 7. Auxiliary Tilt Switch (Power Trim Models) | |

20 Hp Mariner Motor Operators Manual

RJ Shavelson



20 Hp Mariner Motor Operators Manual:

DA Pam ,1967 **Outboard Motor Service Manual: Motors below 30 hp** ,1979 *Popular Mechanics* ,1962-11
Popular Mechanics inspires instructs and influences readers to help them master the modern world Whether it s practical
DIY home improvement tips gadgets and digital technology information on the newest cars or the latest breakthroughs in
science PM is the ultimate guide to our high tech lifestyle *Popular Mechanics* ,1962-12 Popular Mechanics inspires
instructs and influences readers to help them master the modern world Whether it s practical DIY home improvement tips
gadgets and digital technology information on the newest cars or the latest breakthroughs in science PM is the ultimate
guide to our high tech lifestyle **Monthly Catalog of United States Government Publications** United States.
Superintendent of Documents,1994 **Monthly Catalogue, United States Public Documents** ,1994 The 20th
Century Guide for Diesel Operators Julius Rosbloom,Orville R. Sawley,1922 **The Antique Automobile** ,1964 Includes a
tenth anniversary issue dated Nov 1945 **The Motor Boat** ,1922 **Industrial Arts Index** ,1939 **American Book**
Publishing Record Cumulative, 1876-1949 R.R. Bowker Company. Department of Bibliography,1980 Scientific
American ,1929 **Canada Lumberman and Woodworker** ,1927 **Consumer Reports** ,1951 Marine Engineering
Log ,1899 The Shipbuilder and Marine Engine-builder ,1951 **Chilton's Repair and Tune-up Guide:**
Inboard/outdrives Chilton Book Company. Automotive Editorial Department,1973 **Pacific Marine Review** ,1950
Shipbuilding & Marine Engineering International ,1929 *Atlantic Fisherman* ,1987-12

Immerse yourself in heartwarming tales of love and emotion with its touching creation, Experience Love's Journey in **20 Hp Mariner Motor Operators Manual** . This emotionally charged ebook, available for download in a PDF format (PDF Size: *), is a celebration of love in all its forms. Download now and let the warmth of these stories envelop your heart.

https://netdata.businesstraveller.com/public/detail/default.aspx/1996_Dodge_Caravan_Service_Manua.pdf

Table of Contents 20 Hp Mariner Motor Operators Manual

1. Understanding the eBook 20 Hp Mariner Motor Operators Manual
 - The Rise of Digital Reading 20 Hp Mariner Motor Operators Manual
 - Advantages of eBooks Over Traditional Books
2. Identifying 20 Hp Mariner Motor Operators Manual
 - Exploring Different Genres
 - Considering Fiction vs. Non-Fiction
 - Determining Your Reading Goals
3. Choosing the Right eBook Platform
 - Popular eBook Platforms
 - Features to Look for in an 20 Hp Mariner Motor Operators Manual
 - User-Friendly Interface
4. Exploring eBook Recommendations from 20 Hp Mariner Motor Operators Manual
 - Personalized Recommendations
 - 20 Hp Mariner Motor Operators Manual User Reviews and Ratings
 - 20 Hp Mariner Motor Operators Manual and Bestseller Lists
5. Accessing 20 Hp Mariner Motor Operators Manual Free and Paid eBooks
 - 20 Hp Mariner Motor Operators Manual Public Domain eBooks
 - 20 Hp Mariner Motor Operators Manual eBook Subscription Services
 - 20 Hp Mariner Motor Operators Manual Budget-Friendly Options
6. Navigating 20 Hp Mariner Motor Operators Manual eBook Formats

- ePub, PDF, MOBI, and More
 - 20 Hp Mariner Motor Operators Manual Compatibility with Devices
 - 20 Hp Mariner Motor Operators Manual Enhanced eBook Features
7. Enhancing Your Reading Experience
 - Adjustable Fonts and Text Sizes of 20 Hp Mariner Motor Operators Manual
 - Highlighting and Note-Taking 20 Hp Mariner Motor Operators Manual
 - Interactive Elements 20 Hp Mariner Motor Operators Manual
 8. Staying Engaged with 20 Hp Mariner Motor Operators Manual
 - Joining Online Reading Communities
 - Participating in Virtual Book Clubs
 - Following Authors and Publishers 20 Hp Mariner Motor Operators Manual
 9. Balancing eBooks and Physical Books 20 Hp Mariner Motor Operators Manual
 - Benefits of a Digital Library
 - Creating a Diverse Reading Collection 20 Hp Mariner Motor Operators Manual
 10. Overcoming Reading Challenges
 - Dealing with Digital Eye Strain
 - Minimizing Distractions
 - Managing Screen Time
 11. Cultivating a Reading Routine 20 Hp Mariner Motor Operators Manual
 - Setting Reading Goals 20 Hp Mariner Motor Operators Manual
 - Carving Out Dedicated Reading Time
 12. Sourcing Reliable Information of 20 Hp Mariner Motor Operators Manual
 - Fact-Checking eBook Content of 20 Hp Mariner Motor Operators Manual
 - Distinguishing Credible Sources
 13. Promoting Lifelong Learning
 - Utilizing eBooks for Skill Development
 - Exploring Educational eBooks
 14. Embracing eBook Trends
 - Integration of Multimedia Elements
 - Interactive and Gamified eBooks

20 Hp Mariner Motor Operators Manual Introduction

In this digital age, the convenience of accessing information at our fingertips has become a necessity. Whether its research papers, eBooks, or user manuals, PDF files have become the preferred format for sharing and reading documents. However, the cost associated with purchasing PDF files can sometimes be a barrier for many individuals and organizations. Thankfully, there are numerous websites and platforms that allow users to download free PDF files legally. In this article, we will explore some of the best platforms to download free PDFs. One of the most popular platforms to download free PDF files is Project Gutenberg. This online library offers over 60,000 free eBooks that are in the public domain. From classic literature to historical documents, Project Gutenberg provides a wide range of PDF files that can be downloaded and enjoyed on various devices. The website is user-friendly and allows users to search for specific titles or browse through different categories. Another reliable platform for downloading 20 Hp Mariner Motor Operators Manual free PDF files is Open Library. With its vast collection of over 1 million eBooks, Open Library has something for every reader. The website offers a seamless experience by providing options to borrow or download PDF files. Users simply need to create a free account to access this treasure trove of knowledge. Open Library also allows users to contribute by uploading and sharing their own PDF files, making it a collaborative platform for book enthusiasts. For those interested in academic resources, there are websites dedicated to providing free PDFs of research papers and scientific articles. One such website is Academia.edu, which allows researchers and scholars to share their work with a global audience. Users can download PDF files of research papers, theses, and dissertations covering a wide range of subjects. Academia.edu also provides a platform for discussions and networking within the academic community. When it comes to downloading 20 Hp Mariner Motor Operators Manual free PDF files of magazines, brochures, and catalogs, Issuu is a popular choice. This digital publishing platform hosts a vast collection of publications from around the world. Users can search for specific titles or explore various categories and genres. Issuu offers a seamless reading experience with its user-friendly interface and allows users to download PDF files for offline reading. Apart from dedicated platforms, search engines also play a crucial role in finding free PDF files. Google, for instance, has an advanced search feature that allows users to filter results by file type. By specifying the file type as "PDF," users can find websites that offer free PDF downloads on a specific topic. While downloading 20 Hp Mariner Motor Operators Manual free PDF files is convenient, its important to note that copyright laws must be respected. Always ensure that the PDF files you download are legally available for free. Many authors and publishers voluntarily provide free PDF versions of their work, but its essential to be cautious and verify the authenticity of the source before downloading 20 Hp Mariner Motor Operators Manual. In conclusion, the internet offers numerous platforms and websites that allow users to download free PDF files legally. Whether its classic literature, research papers, or magazines, there is something for everyone. The platforms mentioned in this article, such as Project Gutenberg, Open Library, Academia.edu, and Issuu,

provide access to a vast collection of PDF files. However, users should always be cautious and verify the legality of the source before downloading 20 Hp Mariner Motor Operators Manual any PDF files. With these platforms, the world of PDF downloads is just a click away.

FAQs About 20 Hp Mariner Motor Operators Manual Books

What is a 20 Hp Mariner Motor Operators Manual PDF? A PDF (Portable Document Format) is a file format developed by Adobe that preserves the layout and formatting of a document, regardless of the software, hardware, or operating system used to view or print it. **How do I create a 20 Hp Mariner Motor Operators Manual PDF?** There are several ways to create a PDF: Use software like Adobe Acrobat, Microsoft Word, or Google Docs, which often have built-in PDF creation tools. Print to PDF: Many applications and operating systems have a "Print to PDF" option that allows you to save a document as a PDF file instead of printing it on paper. Online converters: There are various online tools that can convert different file types to PDF. **How do I edit a 20 Hp Mariner Motor Operators Manual PDF?** Editing a PDF can be done with software like Adobe Acrobat, which allows direct editing of text, images, and other elements within the PDF. Some free tools, like PDFescape or Smallpdf, also offer basic editing capabilities. **How do I convert a 20 Hp Mariner Motor Operators Manual PDF to another file format?** There are multiple ways to convert a PDF to another format: Use online converters like Smallpdf, Zamzar, or Adobe Acrobats export feature to convert PDFs to formats like Word, Excel, JPEG, etc. Software like Adobe Acrobat, Microsoft Word, or other PDF editors may have options to export or save PDFs in different formats. **How do I password-protect a 20 Hp Mariner Motor Operators Manual PDF?** Most PDF editing software allows you to add password protection. In Adobe Acrobat, for instance, you can go to "File" -> "Properties" -> "Security" to set a password to restrict access or editing capabilities. Are there any free alternatives to Adobe Acrobat for working with PDFs? Yes, there are many free alternatives for working with PDFs, such as: LibreOffice: Offers PDF editing features. PDFsam: Allows splitting, merging, and editing PDFs. Foxit Reader: Provides basic PDF viewing and editing capabilities. How do I compress a PDF file? You can use online tools like Smallpdf, ILovePDF, or desktop software like Adobe Acrobat to compress PDF files without significant quality loss. Compression reduces the file size, making it easier to share and download. Can I fill out forms in a PDF file? Yes, most PDF viewers/editors like Adobe Acrobat, Preview (on Mac), or various online tools allow you to fill out forms in PDF files by selecting text fields and entering information. Are there any restrictions when working with PDFs? Some PDFs might have restrictions set by their creator, such as password protection, editing restrictions, or print restrictions. Breaking these restrictions might require specific software or tools, which may or may not be legal depending on the circumstances and local laws.

Find 20 Hp Mariner Motor Operators Manual :

1996 dodge caravan service manua

1996 chevy 1500 power window wiring diagrams

1996 seadoo xp 800 manual

1996 mazda protege wiring diagram

1995 yamaha 6msht outboard service repair maintenance manual factory

1996 buick lesabre repair manual

1995 saturn sl 1 repair manual

1996 nissan pickup service manual

1996 seadoo gtx service manua

1996 1999 chevrolet tracker owners manual

1996 jaguar xj6 service manual

1996 polaris explorer 400 4x4 manual

1996 ford taurus owners manual

1996 nissan maximacheck engine light reset

1996 chevy 1500 radio wiring diagram

20 Hp Mariner Motor Operators Manual :

grade 1 children s stories and reading worksheets k5 learning - Oct 15 2023

web short stories followed by reading comprehension questions at approximately a grade 1 level texts are both fiction and non fiction and range between 50 120 words long

great read alouds for first graders reading rockets - Jun 11 2023

web a perfect picnic mark and ava gather everything they need for a perfect picnic will the rain clouds overhead ruin their plans 1st grade view pdf apples apples poem this is a

free stories for the beginning reader levels 1 to 5 stories that - Jul 12 2023

web the sand cat is a short story for kids in grade 1 about a peculiar cat that lives in the desert reading comprehension questions follow the story non fiction 225 words story more

40 excellent short stories for middle school rethink ela - Feb 24 2022

web a colorful history is a short story for kids in grade 1 about the history of crayons and names of different colors reading

comprehension questions follow the story non fiction 285

[first grade grade 1 short stories fiction questions](#) - Dec 05 2022

web apr 24 2023 a collection of quick reads with lasting impact from classic fairy tales to modern fables and folktales find out the stories origins themes and activities to use

first grade reading comprehension worksheets k5 learning - Nov 23 2021

short stories first grade english worksheets - Mar 08 2023

web short stories with comprehension questions 1st grade teaching resources tpt ri 1 10 ccra r 10 also included in 1st grade fluency and sight word passages sets

first grade level 36 stories clarkness com - Jan 06 2023

web browse first grade short stories resources on teachers pay teachers a marketplace trusted by millions of teachers for original educational resources

[28 of the best first grade read alouds for the classroom and](#) - Aug 13 2023

web the story levels go along well with the lessons found in the excellent first grade reading program called read well by voyager sopris learning the stories can be read online

a colorful history grade 1 children s story k5 learning - Oct 23 2021

a new bicycle grade 1 children s story k5 learning - Apr 09 2023

web what is freddy a seal a child a penguin grade 1 short stories fiction freddy tried to jump in the swimming hole what happened he hit his head he slipped on a rock he

[1st grade short stories resources free tpt](#) - Oct 03 2022

web oct 2 2022 first grade short stories printable are a superb method to enhance reading skills in children these worksheets include 100 cost free children s stories and

1st grade short stories worksheets learny kids - Apr 28 2022

web may 11 2020 download for free the following short stories for grade 1 6 learners simply click on the download link to get your free and direct copy there are

1st grade reading comprehension super teacher worksheets - Feb 07 2023

web this one page resource includes a short story with matching black and white pictures the story and related questions are on a full page under the short story there are three

[results for short stories with comprehension questions 1st grade](#) - Nov 04 2022

web decodable passages great for 1st grade stories are short fun and highlight specific phonics skills re read reading comprehension questions and extension questions

[browse 1st grade interactive stories education com](#) - Sep 14 2023

web check out our first grade stories for some creative ways to learn when you re done with these stories play our first grade songs for additional fun browse 1st grade

[english short stories for grade 1 deped click](#) - Dec 25 2021

[50 irresistible short stories for kids read them all for free](#) - Aug 01 2022

web in simplest terms sequencing a story means identifying the main narrative components the beginning middle and end as a first step towards retelling the events of the story

[short stories for first grade teaching resources tpt](#) - Jun 30 2022

web may 13 2014 mother and daughter mother and daughter by gary soto is a heartfelt short story that explores the complex dynamics of the mother daughter relationship

[first grade short stories printable reading comprehension](#) - May 30 2022

web november 5 2023 at 7 00 a m est emma kumer the washington post istock 8 min when gabi belle learned there was a naked photo of her circulating on the internet her

first grade short stories worksheets teaching resources tpt - Sep 02 2022

web 1st grade short stories displaying top 8 worksheets found for 1st grade short stories some of the worksheets for this concept are all about bears a visit to the water park name a perfect picnic i like to read comic books home links 1 first grade basic skills have fun teaching a treat for alice found worksheet you are looking for

the sand cat grade 1 children s story k5 learning - May 10 2023

web collection of stories for level 36 by clark ness visit clarkness com for more free stories and ebooks robber robber came to my house yesterday he had on a mask he

[story sequence reading rockets](#) - Mar 28 2022

web leveled stories reading worksheets these leveled stories each followed by comprehension questions are taken from our series of leveled reading workbooks

[how ai fake nudes ruin teenagers lives the washington post](#) - Jan 26 2022

carte de paris et environs michelin 106 michelin decitre - Aug 03 2022

web michelin karten bl 106 environs de paris cartes z michelin karten bl 106 environs de paris cartes z 1 michelin karten bl

106 environs de paris cartes z sydney 3 europe

micelin karten bl 106 environs de paris cartes z david - Nov 06 2022

web micelin karten bl 106 environs de paris cartes z julius klaproth 1783 1835 leben und werk nov 14 2020 international

catalogue of scientific literature 1901 1914 jan

micelin straßenkarten autokarten und stadtpläne das - Nov 25 2021

web may 13 2023 statement micelin karten bl 106 environs de paris cartes z that you are looking for it will very squander the time however below in imitation of you visit this

micelin karten bl 106 environs de paris cartes z pdf - Sep 23 2021

carte micelin 106 zoom environs de paris 2005 ebay - Dec 27 2021

web micelin local micelin local karten sind sehr detaillierte straßenkarten in den maßstäben 1 150 000 der 1 200 000

micelin zoom micelin zoom sind karten die kleine

micelin 106 umgebung von paris strassenkte 1 100 000 das - Jun 01 2022

web redirecting to masterglassinc com static id 5106869 hl se source micelin karten bl 106 environs de paris cartes z pdf

micelin karten bl 106 environs de paris cartes z copy - May 12 2023

web carte 5 30 recevez le entre le jeudi 26 janvier et le vendredi 27 janvier livraison à 4 98 autres vendeurs sur amazon 4 50 9 offres de produits d occasion et neufs

micelin karten bl 106 environs de paris amazon de books - Jan 28 2022

web les meilleures offres pour carte micelin 106 zoom environs de paris 2005 sont sur ebay comparez les prix et les spécificités des produits neufs et d occasion pleins d articles

amazon fr carte micelin 106 - Apr 11 2023

web micelin karten bl 106 environs de paris cartes z micelin karten bl 106 environs de paris cartes z 1 downloaded from old restorativejustice org on 2022 03 01 by

micelin karten bl 106 environs de paris cartes z pdf - Jan 08 2023

web may 1 2023 micelin karten bl 106 environs de paris cartes z 1 7 downloaded from uniport edu ng on may 1 2023 by guest micelin karten bl 106 environs de paris

micelinkartenbl106environsdepariscartes z book - Jul 02 2022

web umgebung von paris freizeitkarte im maßstab 1 100 000 micelin 106 die zoom karten bestechen durch ihre exzellenten maßstäbe genauigkeit und detailtreue sie

carte routière n 106 environs de paris micelin zoom france - Jun 13 2023

web this michelin karten bl 106 environs de paris cartes z as one of the most dynamic sellers here will definitely be accompanied by the best options to review carte routière n 106

michelin karten bl 106 environs de paris cartes z sydney - Feb 26 2022

web select the department you want to search in

michelin karten bl 106 environs de paris cartes z sydney - Mar 30 2022

web jan 17 2023 michelin karten bl 106 environs de paris cartes z is available in our book collection an online access to it is set as public so you can get it instantly our book

pdf michelin karten bl 106 environs de paris cartes z - Oct 05 2022

web publication as well as perception of this michelin karten bl 106 environs de paris cartes z can be taken as well as picked to act sakura s cherry blossoms robert paul weston

michelin zoom map 106 surroundings of paris boutique de - Aug 15 2023

web michelin zoom map 106 surroundings of paris 5 95 with its 1 100 000 scale map 1cm 1km the michelin map zoom surroundings of paris is characterized by the high

2067105426 michelin karten bl 106 environs de paris cartes - Feb 09 2023

web 2 michelin karten bl 106 environs de paris cartes z 2022 08 16 on the spatial cognitive abilities of europe s prehistoric peoples and their transmission of cartographic concepts

masterglassinc com - Apr 30 2022

web michelin karten bl 106 environs de paris cartes z this is likewise one of the factors by obtaining the soft documents of this michelin karten bl 106 environs de paris cartes

michelin karten bl 106 environs de paris cartes z preston - Sep 04 2022

web jan 1 2010 découvrez carte de paris et environs michelin 106 le livre de michelin sur decitre fr 3ème libraire sur internet avec 1 million de livres disponibles en livraison

michelin karten bl 106 environs de paris cartes z pdf uniport edu - Dec 07 2022

web michelin karten bl 106 environs de paris cartes z is available in our digital library an online access to it is set as public so you can download it instantly our digital library

michelin karten bl 106 environs de paris cartes z pdf uniport edu - Oct 25 2021

web apr 21 2023 michelin karten bl 106 environs de paris cartes z 2 6 downloaded from uniport edu ng on april 21 2023 by guest choosing a world map arthur howard

michelin karten bl 106 environs de paris cartes z pdf - Mar 10 2023

web michelin karten bl 106 environs de paris cartes zoom trouvez tous les livres de michelin travel publications sur eurolivre

fr vous pouvez commander des livres

micelin carte zoom n 106 environ de paris - Jul 14 2023

web zones géographiques et catégories liées chartres compiègne ile de france paris département 75 carte routière michelin des environs de paris distances indiquées

class 9 ncert solutions english chapter p 1 the brook - Aug 03 2022

web ncert solutions for class 9 english cbse chapter p 1 get free access to the brook class 9 solutions which includes all the exercises with solved solutions visit topperlearning now ask a doubt

class 9 english chapter 6 the brook ncert solutions - Jun 01 2022

web answer i the brook is a source of life question 7 answer the following questions a how does the brook sparkle b bicker means to quarrel why does the poet use this word here c how many hills and bridges does the brook pass during its journey d where does it finally meet the river

the brook extra questions and answers class 9 english literature - Feb 26 2022

web the brook questions and answers pdf question 1 how does the poet use the brook to draw a parallel with the life of a man answer this is a poem that traces the life of a brook or a small stream as it emerges from the mountaintop and flows down the hills and across valleys to empty into the river

cbse class 9 english unit 6 the brook questions and answers - Feb 09 2023

web aug 18 2016 answer the brook sparkles because of the sun rays shining on its water its sudden rush is depicted as sparkling motion q6 how does the brook behave in wilderness answer in the wilderness the brook is somewhat lazy and flows peacefully and quietly it seems it is not in hurry as it passes around the stones and plants

sample questions the brook cbse class ix cbse ncert answers - Dec 07 2022

web a read the following extracts and answer the questions 1 i come from the haunts of coot and hern 3 i make a sudden sally and sparkle out among the fern to bicker down a valley a how does the brook start b give the rhyming scheme of the stanza c write down a poetic device used in line 2 2 with many a curve my banks i fret 3

mcq s with solutions the brook english class 9 edurev - Dec 27 2021

web multiple choice questions read the following extracts and choose the correct option cbse 2010 term i q1 i chatter chatter as i flow to join the brimming river for men may come and men may go but i go on forever a the brook chatters by i making sounds like a monkey ii jumping like a monkey

the brook by lord tennyson question and answers youtube - Apr 30 2022

web the brook by lord tennysonthe brook the brook class 9the brook cbsethe brook question and answersthis video contains all question and answers of chapter th

the brook extra questions and answers class 9 english literature - Apr 11 2023

web jul 6 2020 the brook extra questions and answers short answer type answer the following questions briefly question 1 the poet has repeated certain lines in the poem what is this repetition called why is it used in this poem answer this repetition is called a

the brook ncert solutions english class 9 pdf download - Mar 30 2022

web on the basis of your understanding of the poem answer the following questions by ticking the correct choice a the message of the poem is that the life of a brook is i temporary ii short lived iii eternal iv momentary ans a iii eternal b the poet draws a parallel between the journey of the brook and

ncert solutions for class 9 english literature chapter 6 the brook - Jul 14 2023

web short answer type questions 30 40 words 2 marks each question 1 why has the poet used the word babble for the brook board term 12015 answer as the brook moves its swift current strikes against the pebbles and stones under it producing a tremendous noise

the brook extra questions and answers class 9 english literature cbse - Aug 15 2023

web jul 29 2023 answer the brook meanders out of thorny bushes and lonely moors b where does the brook flow from answer the brook flows down from the hilly areas where coot and herons are found c what does the poet mean by brimming river answer this means that the river is at the point of overflowing

class 9 english comm unit 6 the brook eduvictor s - Oct 05 2022

web sep 9 2012 answers 1 a by this time the brook s flow is silent 2 a flowers 3 d forget me nots q2 cbse 2010 read the following extracts and choose the correct option i chatter chatter as i flow to join the brimming

ncert solutions for class 9 english literature reader the brook - May 12 2023

web the brook extract based questions 3 marks each read the extracts given below and answer the following questions q 1 t come from haunts of coot and hern i make a sudden sally and sparkle out among the fern to bicker down a valley a who comes from the haunts of coot and hem b what does it do among the fern

cbse class 9 english the brook explanation question answers - Nov 06 2022

web aug 28 2018 cbse class 9 english the brook explanation question answers videos videos cbse class 9 english the brook explanation question answers videos news cbse class 9 english the brook explanation question answers videos career updates

cbse solutions for class 9 english course communicative - Jun 13 2023

web get free cbse solutions for class 9 english course communicative literature reader chapter 2 the brook solved by experts available here are chapter 2 the brook exercises questions with solutions and detail explanation for your practice before the ncert textbook questions and answers by alfred cbse ncert answers - Jul 02 2022

web ans in the primitive part of the brook i e haunts of coot and heron the brook paces with transparent water when the bright sunbeams stray from the quivering brook water it seems to be sparkling from the quivering brook water sparkling is one of the tenets of the brook in its flow and symbolizes agile and gaily young nature of man

the brook summary explanation class 9 english chapter 6 - Sep 04 2022

web jan 16 2023 also the explanation is followed by a summary of the lesson all the exercises and questions and answers given at the back of the lesson have been covered the brook introduction the brook summary video explanation of the brook the brook lesson explanation the brook question answers

[the brook questions answers wittychimp](#) - Jan 08 2023

web apr 25 2020 answer slip d what is the speed of the brook as it moves from the hills and bridges answer the speed of the brook is rapid as it moves through the hills ridges and villages must read a grain as big as a hen s egg questions answers must read the brook important questions answers

std 7 english 3 4 the brook questions and answers - Jan 28 2022

web feb 18 2021 to join the brimming river for men may come and men may go but i go on for ever i chatter over stony ways in little sharps and trebles i bubble into eddying bays i babble on the pebbles with many a curve my banks i fret by many a field and fallow and many a fairy foreland set with willow weed and mallow i chatter chatter as i flow

ncert solutions for class 9th ch 6 the brook english study - Mar 10 2023

web nov 24 2014 iv the brook witnesses all kinds of scenes answer i the brook is a source of life page no 62 7 answer the following questions a how does the brook sparkle answer the brook sparkles because of the sun s rays which shine on its water the sudden emergence or rush of the brook is shown to be in a sparkling motion