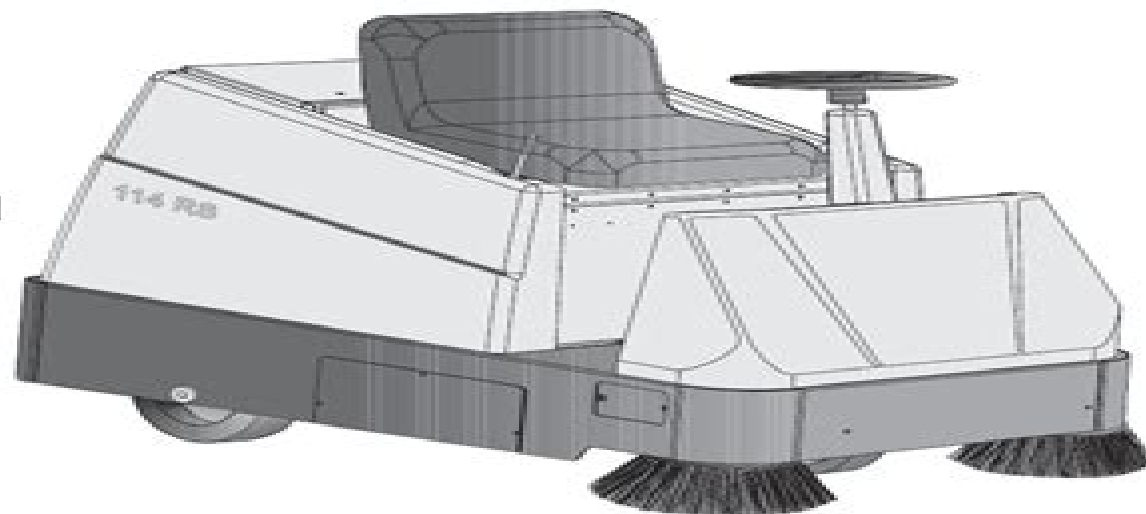




# ALTO®

## AMERICAN-LINCOLN TECHNOLOGY

Operator's Manual



114RS  
SWEEPER

Beginning with  
Serial No. 350661

### READ THIS BOOK!

This book has important information for the use and safe operation of this machine. Failure to read this book prior to operating or attempting any service or maintenance procedure to your machine could result in injury to you or to other personnel; damage to the machine or to other property could occur as well. You must have training in the operation of this machine before using it. If you or your operator (s) cannot read English, have this manual explained fully before attempting to operate this machine.

Si Ud. o sus operadores no pueden leer el Inglés, se hacen explicar este manual completamente antes de tratar el manejo o servicio de esta máquina.

All directions given in this book are as seen from the operator's position at the rear of the machine.

For new books, write to: Alto U.S., Inc., 1100 Haskins Road, Bowling Green, Ohio 43402

Part No. 2-86-00176  
981203

1996 American-Lincoln Technology®

ISO 9001



FILED 2007

Printed in the USA

# Alto Sweeper User Guide

**Christian G. Meyer**



## Alto Sweeper User Guide:

**Country Guide** ,1928    Regional Industrial Buying Guide ,2000    **Monthly Catalogue, United States Public Documents** ,1993    *Monthly Catalog of United States Government Publications* ,1993    Country Guide and Nor'west Farmer ,1928    **The Viking Opera Guide** Amanda Holden,Nicholas Kenyon,Stephen Walsh,1993 The book which was published early this year and is available unbundled from the CD ROM for 69 95 contains information on more than 800 composers and examines some 1 500 operas in detail Each composer s musical career is outlined with an assessment of his or her overall contribution to opera Opera entries include cast lists and orchestral forces a commentary on the background of the work a synopsis of the plot and a musical analysis identifying musical highlights and points of interest Recording and edition information is included For those who don t like to turn pages prefer to read from the screen or just like the click click of the mouse the CD ROM provides computer access via Windows to the information and pictures small black and whites of the book The CD ROM holds some enhancements notably three hours of music excerpts unheard by this reviewer who lacks the needed 16 bit sound card some according to the press release are as long as three to five minutes Annotation copyright by Book News Inc Portland OR    **The New Building Better English 9[-12** Mellie John,1955    The New Penguin Opera Guide Amanda Holden,2001 Provides biographical sketches for nearly 850 composers along with articles on approximately 2 000 works    Municipal Journal, Public Works Engineer and Contractors' Guide ,1939    **Scientific American** ,1893 Monthly magazine devoted to topics of general scientific interest    **The Billboard** ,1927    **The Delineator** R. S. O'Loughlin,H. F. Montgomery,Charles Dwyer,1919    *From the UNICEF Waterfront* ,1975    **Floor Covering Weekly** ,2000    *Microwave Journal* ,1967    **Bibliographic Guide to Music** New York Public Library. Music Division,2003    *Country Life in America* Liberty Hyde Bailey,Henry Hodgman Saylor,1908    Collier's ,1913    **Country Life** ,1908    Microwaves ,1967

This is likewise one of the factors by obtaining the soft documents of this **Alto Sweeper User Guide** by online. You might not require more get older to spend to go to the books foundation as skillfully as search for them. In some cases, you likewise pull off not discover the publication Alto Sweeper User Guide that you are looking for. It will enormously squander the time.

However below, in imitation of you visit this web page, it will be fittingly totally simple to get as well as download lead Alto Sweeper User Guide

It will not endure many become old as we run by before. You can get it even though affect something else at home and even in your workplace. consequently easy! So, are you question? Just exercise just what we have the funds for under as skillfully as review **Alto Sweeper User Guide** what you bearing in mind to read!

[https://netdata.businessstraveller.com/book/publication/index.jsp/manual\\_nintendo\\_dsi\\_xl\\_espanol.pdf](https://netdata.businessstraveller.com/book/publication/index.jsp/manual_nintendo_dsi_xl_espanol.pdf)

## **Table of Contents Alto Sweeper User Guide**

1. Understanding the eBook Alto Sweeper User Guide
  - The Rise of Digital Reading Alto Sweeper User Guide
  - Advantages of eBooks Over Traditional Books
2. Identifying Alto Sweeper User Guide
  - Exploring Different Genres
  - Considering Fiction vs. Non-Fiction
  - Determining Your Reading Goals
3. Choosing the Right eBook Platform
  - Popular eBook Platforms
  - Features to Look for in an Alto Sweeper User Guide
  - User-Friendly Interface
4. Exploring eBook Recommendations from Alto Sweeper User Guide
  - Personalized Recommendations

- Alto Sweeper User Guide User Reviews and Ratings
- Alto Sweeper User Guide and Bestseller Lists
- 5. Accessing Alto Sweeper User Guide Free and Paid eBooks
  - Alto Sweeper User Guide Public Domain eBooks
  - Alto Sweeper User Guide eBook Subscription Services
  - Alto Sweeper User Guide Budget-Friendly Options
- 6. Navigating Alto Sweeper User Guide eBook Formats
  - ePub, PDF, MOBI, and More
  - Alto Sweeper User Guide Compatibility with Devices
  - Alto Sweeper User Guide Enhanced eBook Features
- 7. Enhancing Your Reading Experience
  - Adjustable Fonts and Text Sizes of Alto Sweeper User Guide
  - Highlighting and Note-Taking Alto Sweeper User Guide
  - Interactive Elements Alto Sweeper User Guide
- 8. Staying Engaged with Alto Sweeper User Guide
  - Joining Online Reading Communities
  - Participating in Virtual Book Clubs
  - Following Authors and Publishers Alto Sweeper User Guide
- 9. Balancing eBooks and Physical Books Alto Sweeper User Guide
  - Benefits of a Digital Library
  - Creating a Diverse Reading Collection Alto Sweeper User Guide
- 10. Overcoming Reading Challenges
  - Dealing with Digital Eye Strain
  - Minimizing Distractions
  - Managing Screen Time
- 11. Cultivating a Reading Routine Alto Sweeper User Guide
  - Setting Reading Goals Alto Sweeper User Guide
  - Carving Out Dedicated Reading Time
- 12. Sourcing Reliable Information of Alto Sweeper User Guide
  - Fact-Checking eBook Content of Alto Sweeper User Guide

- Distinguishing Credible Sources
- 13. Promoting Lifelong Learning
  - Utilizing eBooks for Skill Development
  - Exploring Educational eBooks
- 14. Embracing eBook Trends
  - Integration of Multimedia Elements
  - Interactive and Gamified eBooks

### **Alto Sweeper User Guide Introduction**

Alto Sweeper User Guide Offers over 60,000 free eBooks, including many classics that are in the public domain. Open Library: Provides access to over 1 million free eBooks, including classic literature and contemporary works. Alto Sweeper User Guide Offers a vast collection of books, some of which are available for free as PDF downloads, particularly older books in the public domain. Alto Sweeper User Guide : This website hosts a vast collection of scientific articles, books, and textbooks. While it operates in a legal gray area due to copyright issues, its a popular resource for finding various publications. Internet Archive for Alto Sweeper User Guide : Has an extensive collection of digital content, including books, articles, videos, and more. It has a massive library of free downloadable books. Free-eBooks Alto Sweeper User Guide Offers a diverse range of free eBooks across various genres. Alto Sweeper User Guide Focuses mainly on educational books, textbooks, and business books. It offers free PDF downloads for educational purposes. Alto Sweeper User Guide Provides a large selection of free eBooks in different genres, which are available for download in various formats, including PDF. Finding specific Alto Sweeper User Guide, especially related to Alto Sweeper User Guide, might be challenging as theyre often artistic creations rather than practical blueprints. However, you can explore the following steps to search for or create your own Online Searches: Look for websites, forums, or blogs dedicated to Alto Sweeper User Guide, Sometimes enthusiasts share their designs or concepts in PDF format. Books and Magazines Some Alto Sweeper User Guide books or magazines might include. Look for these in online stores or libraries. Remember that while Alto Sweeper User Guide, sharing copyrighted material without permission is not legal. Always ensure youre either creating your own or obtaining them from legitimate sources that allow sharing and downloading. Library Check if your local library offers eBook lending services. Many libraries have digital catalogs where you can borrow Alto Sweeper User Guide eBooks for free, including popular titles. Online Retailers: Websites like Amazon, Google Books, or Apple Books often sell eBooks. Sometimes, authors or publishers offer promotions or free periods for certain books. Authors Website Occasionally, authors provide excerpts or short stories for free on their websites. While this might not be the Alto Sweeper User Guide full book , it can give you a taste of

the authors writing style. Subscription Services Platforms like Kindle Unlimited or Scribd offer subscription-based access to a wide range of Alto Sweeper User Guide eBooks, including some popular titles.

### FAQs About Alto Sweeper User Guide Books

1. Where can I buy Alto Sweeper User Guide books? Bookstores: Physical bookstores like Barnes & Noble, Waterstones, and independent local stores. Online Retailers: Amazon, Book Depository, and various online bookstores offer a wide range of books in physical and digital formats.
2. What are the different book formats available? Hardcover: Sturdy and durable, usually more expensive. Paperback: Cheaper, lighter, and more portable than hardcovers. E-books: Digital books available for e-readers like Kindle or software like Apple Books, Kindle, and Google Play Books.
3. How do I choose a Alto Sweeper User Guide book to read? Genres: Consider the genre you enjoy (fiction, non-fiction, mystery, sci-fi, etc.). Recommendations: Ask friends, join book clubs, or explore online reviews and recommendations. Author: If you like a particular author, you might enjoy more of their work.
4. How do I take care of Alto Sweeper User Guide books? Storage: Keep them away from direct sunlight and in a dry environment. Handling: Avoid folding pages, use bookmarks, and handle them with clean hands. Cleaning: Gently dust the covers and pages occasionally.
5. Can I borrow books without buying them? Public Libraries: Local libraries offer a wide range of books for borrowing. Book Swaps: Community book exchanges or online platforms where people exchange books.
6. How can I track my reading progress or manage my book collection? Book Tracking Apps: Goodreads, LibraryThing, and Book Catalogue are popular apps for tracking your reading progress and managing book collections. Spreadsheets: You can create your own spreadsheet to track books read, ratings, and other details.
7. What are Alto Sweeper User Guide audiobooks, and where can I find them? Audiobooks: Audio recordings of books, perfect for listening while commuting or multitasking. Platforms: Audible, LibriVox, and Google Play Books offer a wide selection of audiobooks.
8. How do I support authors or the book industry? Buy Books: Purchase books from authors or independent bookstores. Reviews: Leave reviews on platforms like Goodreads or Amazon. Promotion: Share your favorite books on social media or recommend them to friends.
9. Are there book clubs or reading communities I can join? Local Clubs: Check for local book clubs in libraries or

community centers. Online Communities: Platforms like Goodreads have virtual book clubs and discussion groups.

10. Can I read Alto Sweeper User Guide books for free? Public Domain Books: Many classic books are available for free as they're in the public domain. Free E-books: Some websites offer free e-books legally, like Project Gutenberg or Open Library.

### **Find Alto Sweeper User Guide :**

**manual nintendo dsi xl espanol**

ags united states history work answers

**metering pump application guide**

2003 acura tl catalytic converter manual

here come the co-eds.

what does agriculture include paperfinal examination grade 11

**yamaha ce 50 service manual**

*section 3 1 measurements and their uncertainty*

mitsubishi l200 strada triton workshop manual 1997 2002

*2000 ford ranger xlt owner manual*

**workshop manual for suzuki gsx750e**

200ford expedition eddie bauer parts

economics march question paper 2014 grade 11

*the russians pregnant mistress english edition*

1992 toyota pickup factory service manual

### **Alto Sweeper User Guide :**

**ngazi ya cheti 2013 pdf gestudy byu edu** - Mar 09 2023

web may 10 2023 ngazi ya cheti 2013 pdf recognizing the showing off ways to acquire this ebook ngazi ya cheti 2013 pdf is additionally useful you have remained in right site to

**orodha ya vyuo vya ngazi ya cheti tanzania** - Feb 25 2022

web jan 19 2021 orodha ya vyuo vya ngazi ya cheti tanzania 2020 2021 udahiliportal com nacte application 2 nacte admission guide books



[arusha city training college facebook](#) - Apr 29 2022

web karibu arusha city college chuo cha mafunzo mbali mbali kwa ngazi ya cheti nadiploma tunatoa pia kozi za muda mfupi kama upambaji miezi 3 computer miez

**boti ndege na treni ya kivita jinsi kim jong un anavyosafiri nje** - Dec 26 2021

web sep 12 2023 mnamo machi 2018 bw kim alisafiri hadi mji mkuu wa china beijing kupitia treni lakini alitumia mercedes benz s class yake binafsi kusafiri ndani ya jiji hilo

**baraza la mitihani la tanzania necta** - Aug 14 2023

web fomati hizi mpya za mitihani ya ualimu kwa ngazi ya cheti daraja la a imeandaliwa kwa kuzingatia marekebisho ya mtaala wa ualimu ngazi ya cheti yaliyofanywa na wizara ya

[ualimu necta](#) - Jul 01 2022

web mtihani wa somo la ualimu kwa watahiniwa wa ngazi ya astashahada uliofanyika mwezi mei 2022 uliandaliwa kwa kuzingatia muhtasari wa somo la ualimu wa mwaka 2009

**matokeo ya uuguzi kwa ngazi ya stashshada na cheti kwa** - Feb 08 2023

web matokeo ya uuguzi 2015 matokeo ya uuguzi na kunga 2016 2017 matokeo ya chuo cha nursing 2016 matokeo ya uuguzi na ukunga mwaka 2016 community experts online right

*ngazi ya cheti 2013 uniport edu ng* - Nov 24 2021

web ngazi ya cheti 2013 1 7 downloaded from uniport edu ng on may 4 2023 by guest ngazi ya cheti 2013 right here we have countless book ngazi ya cheti 2013 and collections

[ualimu elimu ya msingi cheti uraia](#) - May 11 2023

web mafunzo ya ualimu wa elimu ya msingi ngazi ya cheti ni ya miaka miwili na yamekusudiwa kuandaa walimu mahiri wenye uwezo wa kufanya kazi kwa dhati walimu

**ngazi ya cheti 2013 help environment harvard edu** - Oct 24 2021

web ngazi ya cheti 2013 recognizing the mannerism ways to get this books ngazi ya cheti 2013 is additionally useful you have remained in right site to start getting this info get

**ngazi ya cheti 2013 uniport edu ng** - Sep 22 2021

web ngazi ya cheti 2013 2 6 downloaded from uniport edu ng on may 14 2023 by guest companies act 2013 based on new company law internal audit chapter especially

*ngazi ya cheti 2013 knockinc com* - Dec 06 2022

web jan 9 2023 4728788 ngazi ya cheti 2013 1 9 downloaded from knockinc com on by guest ngazi ya cheti 2013 this is likewise one of the factors by obtaining the soft

**ngazi ya cheti 2013 help environment harvard edu** - Jan 07 2023

web ngazi ya cheti 2013 can be taken as competently as picked to act the life and times of abdulwahid sykes 1924 1968 mohamed said 1998 death at the well kithaka wa

**jamuhuri ya muungano wa tanzania wizara ya** - Jun 12 2023

web historia na jiografia katika ngazi ya cheti na pia kushughulikia kasoro zilizobainishwa ili kuboresha ufundishaji na ujifunzaji katika vyuo vya ualimu na hivyo kuwezesha kutoa

**msafiri asilia nafasi za mafunzo ya ualimu ngazi ya facebook** - Apr 10 2023

web nafasi za mafunzo ya ualimu ngazi ya cheti daraja a na stashahada kwa mwaka wa masomo 2013 2014 katibu mkuu wizara ya elimu na mafunzo ya ufundi

**matokeo ya ualimu ngazi ya cheti 2013 pdf pdf voto uneal edu** - Sep 03 2022

web matokeo ya ualimu ngazi ya cheti 2013 pdf upload arnold j hayda 1 25 downloaded from voto uneal edu br on august 31 2023 by arnold j hayda matokeo ya ualimu ngazi ya

**ngazi ya cheti 2013 uniport edu ng** - Aug 22 2021

web apr 5 2023 ngazi ya cheti 2013 1 5 downloaded from uniport edu ng on april 5 2023 by guest ngazi ya cheti 2013 thank you extremely much for downloading ngazi ya cheti

**law colleges and schools in tanzania udahiliportal com** - Aug 02 2022

web this article contains vyuo vya sheria tanzania sifa za kujiunga na chuo cha sheria ngazi ya cheti chuo cha sheria dodoma ija lushoto application form 2023 24 ija application

**majina ya waliochaguliwa mhonda teachers college facebook** - Oct 04 2022

web jul 30 2013 waliochaguliwa kujiunga na mafunzo ya ualimu ngazi ya cheti na stashahada mwaka 2013 2014 6 6 comments share most relevant israel

**ngazi ya cheti 2013 yvc moeys gov kh** - Nov 05 2022

web dec 19 2022 comprehending as with ease as harmony even more than new will pay for each success neighboring to the proclamation as well as perspicacity of this ngazi ya

**Çatı katı aşk 13 bölüm fragmanı İzle kanal d** - Jan 27 2022

web bölüm fragmanı yayında yasemin in gerçek anne ve babası geliyor ortalık karışıyor yasemin in anne ve babası birden yasemin i ziyarete gelir bu beklenmedik durum

**niyazi seksenler wikia fandom** - Mar 29 2022

web niyazi nazlı ya âşık en büyük rakibi ise ergun plak ergun da nazlı ya aşık olduğu için sürekli onunla atışma hâlinde başlarda ergun ile çok yakın arkadaş olmalarına rağmen

[jamhuri ya muungano wa tanzania necta](#) - Jul 13 2023

web kitabu cha fomati za mitihani ya ualimu elimu maalumu ngazi ya cheti kimeandaliwa na baraza la mitihani la tanzania kwa kuzingatia mtaala wa ualimu elimu maalumu ngazi

**sifa za kujiunga na chuo cha sheria ngazi ya cheti 2023 2024** - May 31 2022

web mar 4 2023 sifa za kujiunga na chuo cha sheria ngazi ya cheti 2023 2024 if you re considering pursuing a career in law in tanzania one of the first steps you ll need to take

*integrated algebra regents august 2012 online math help* - Jun 13 2023

web integrated algebra august 2012 regents q 14 20 14 what are the coordinates of the vertex and the equation of the axis of symmetry of the parabola shown in the graph

**integrated algebra regents answers august 2013 pdf** - Apr 30 2022

web integrated algebra regents answers august 2013 downloaded from eagldemo2 eagltechnology com by guest kaleigh cameron algebra 2012 regents

**integrated algebra** - May 12 2023

web integrated algebra thursday august 16 2012 8 30 to 11 30 a m only student name school name print your name and the name of your school on the

*nys integrated algebra regents june 2012 answers* - Dec 27 2021

web barron s two book regents algebra i power pack provides comprehensive review actual administered exams and practice questions to help students prepare for the algebra i

*integrated algebra new york regents high school past* - Aug 15 2023

web regents august 2012 exam integrated algebra view with answers or solve this paper interactively view examination paper with answers see also share this page with friends

*integrated algebra jmap* - Mar 10 2023

web regents high school examination integrated algebra thursday june 14 2012 1 15 to 4 15 p m only print your name and the name of your school on the

**integrated algebra regents august 2012 answer key** - Mar 30 2022

web nearly the costs its virtually what you dependence currently this integrated algebra regents august 2012 answer key as one of the most operating sellers here will

**download file integrated algebra august 2012 regents answers** - Dec 07 2022

web apr 28 2023 download file integrated algebra august 2012 regents answers explained pdf free copy archive regents examination in united states history living

*archive regents examination in integrated algebra 2005 - Oct 17 2023*

web aug 31 2022 scoring clarification for teachers august 2012 regents examination in integrated algebra question 38 16 kb

june 2012 regents examination in

integrated algebra new york regents august 2012 exam - Jul 14 2023

web home examinations nysed regents exams integrated algebra integrated algebra new york regents august 2012 exam

formats view examination paper

**integrated algebra regents august 2012 answer key book** - Nov 25 2021

web integrated algebra regents august 2012 answer key 4 downloaded from pivotid uvu edu on 2022 08 21 by guest teachers

feedback on hillsdale standards 10 yea 4 meh

**integrated algebra regents answers squarespace** - Oct 05 2022

web february 2016 special administration june 2015 january 2015 august 2014 june 2014 january 2014 august 2013 june

2013 january 2013 regents examination in

**integrated algebra regents august 2012 answer key pdf pdf** - Jul 02 2022

web integrated algebra regents august 2012 answer key pdf yeah reviewing a ebook integrated algebra regents august 2012

answer key pdf could amass your close

**thursday studentname r y j ba a p jmap** - Sep 16 2023

web integrated algebra the university of the state of new york regents high school examination integrated algebra thursday

august 16 2012

**integrated algebra regents august 2012 answer key** - Jan 28 2022

web sep 18 2023 integrated algebra regents august 2012 answer key author subsites imoney my 2023 09 18 20 19 36

subject integrated algebra regents august

**integrated algebra regents august 2012 answer key pdf copy** - Nov 06 2022

web integrated algebra regents august 2012 answer key pdf pages 2 24 integrated algebra regents august 2012 answer key

pdf upload betty y boyle 2 24 downloaded

**integrated algebra regents 2012 answers june full pdf** - Feb 26 2022

web integrated algebra regents august 2012 examples the university of the state of new york regents examinations answers

for integrated algebra

**integrated algebra regents august 2012 answer key copy** - Jun 01 2022

web integrated algebra regents august 2012 answer key 2 10 downloaded from uniport edu ng on october 26 2023 by guest

those assets can amount to significant

[integrated algebra](#) - Jan 08 2023

web use this space for 7 which value of x is the solution of computations 1 3 2 15 4 15 8 the product of a number and 3 increased by 5 is 7 less than twice the number which

**integrated algebra regents august 2012 answer key pdf pdf** - Feb 09 2023

web chosen novels like this integrated algebra regents august 2012 answer key pdf but end up in malicious downloads rather than reading a good book with a cup of coffee in

**integrated algebra regents august 2012 answer key 2023** - Sep 04 2022

web integrated algebra regents august 2012 integrated algebra regents august 2012 related with integrated algebra regents august 2012 answer key lewis structure

**regents examination in algebra i** - Apr 11 2023

web aug 31 2023 august 2022 regents examination in algebra i regular size version 88 kb large type version 121 kb scoring key pdf version 130 kb excel version 19

[integrated algebra regents august 2012 answer key download](#) - Aug 03 2022

web title integrated algebra regents august 2012 answer key download only demo1 woodropship com author cassius griffin subject integrated algebra regents

**4 basic karate kicks how to do a karate kick the karate blog** - Aug 20 2023

web dec 2 2020 basic karate kicks with step by step tips 1 front kick 2 side kick 3 roundhouse kick 4 crescent kick

[karate kicks names with pictures karate mojo](#) - Mar 03 2022

web oct 13 2023 karate kicks names with pictures most frequently asked questions karate is a traditional martial art that originated from japan kicks are one of the fundamental techniques of karate they are an essential part of the art and are considered to be as important as hand techniques karate kicks require strength flexibility speed

[twin kicks karate in kenilworth first school supply drive is a](#) - Sep 28 2021

web 2 days ago twin kicks karate takes pride in being active members within the community to assist those in need rivera said this is the school s way of paying it forward and teaching all the young active

[karate wikipedia](#) - Jan 01 2022

web kihon means basics and these form the base for everything else in the style including stances strikes punches kicks and blocks karate styles place varying importance on kihon typically this is training in unison of a technique or a combination of techniques by a group of karateka

**eric cantona the singer the rolling stones should support me** - Oct 30 2021

web 2 days ago eric cantona ready for his own manchester united takeover eric cantona s ep i ll make my own heaven is out

now he starts his uk tour on 26 october at manchester s stoller hall the football

[how to teach yourself the basics of karate 12 steps wikihow](#) - Dec 12 2022

web feb 8 2023 warm up 10 minutes start off by running in place or around the block for about 5 minutes plus about 5 minutes or 20 reps each of push ups sit ups or crunches leg lifts and reverse push ups 2 warming up is vital to your muscles ability to do work

*8 effective karate techniques master videos teach you step by* - Jul 07 2022

web sep 9 2023 the first punch you ll learn in karate class is the basic straight punch the first kick you ll probably learn is the snap front kick or mae geri the second is the universally popular roundhouse kick or mawashi geri these techniques exist in pretty much all martial arts but you won t see them used in this way

**basic karate kicks and punches how to execute them correctly** - Apr 16 2023

web sep 3 2023 introducing the basic kicks and punches of karate the basic kicks and punches of karate can be divided into three categories front kicks side kicks and roundhouse kicks front kicks are typically used for self defense and are most effective when used to target the lower body

**teenager jailed after fatal martial arts style kick to man s head** - Aug 28 2021

web oct 17 2023 a teenager who delivered a fatal martial arts style kick to his 61 year old victim s head and celebrated it after has been granted leave to apply for home detention anthony michael kelly

*8 basic karate moves for beginners with videos the karate blog* - Aug 08 2022

web sep 4 2022 1 the straight punch choku zuki the basic straight punch is one of the most used martial arts moves you ll see it used in many styles of martial arts it holds a special spot in karate however since karate is seen as a very linear almost choppy style the straight punch is a favorite among karatekas and is incredibly powerful when done well

[karate kicks top 10 youtube](#) - May 17 2023

web jun 29 2021 10 karate kicks that you should all know learn karate kick names and foot positions for 10 basic martial arts kicks karate trainingmartial arts trainingimpr

**89 types of kicks in martial arts fightingsportslab** - May 05 2022

web jun 2 2021 the kicks in martial arts can be divided into 6 main categories front kicks side kicks roundhouse kicks back kicks hook kicks crescent kicks each of these categories has its purpose and different types of kiks are used in other circumstances

*karate kicks youtube* - Nov 11 2022

web aug 4 2023 these are the basic karate kicks this is from shotokan style but this applies to other styles too how to do proper kicks geri kickmae geri keage front k

*karate kicks the martial way* - Jan 13 2023

web karate kicks kicking differentiates the martial arts from other styles of fighting

what are the basic steps moves of karate way of martial arts - Apr 04 2022

web jun 6 2023 musubi dachi it is the most basic stance you get to hear of when you first set your feet into the dojo karate training room hall it s performed feet placed together in a v shape while hands inclined on the sides of the body it s usually done when bowing natural stance hachiji dachi hachiji dachi is the immediate follower of musubi dachi

**karate kick tutorial list of 7 kick names youtube** - Sep 09 2022

web mar 2 2020 list of 7 kick names karate dojo waku 300k subscribers join subscribe 20k share 741k views 3 years ago  
japanese lesson free trial online group lesson bit ly 3etkgse more more

15 best karate kicks for sparring youtube - Feb 02 2022

web join my online group lessons and receive personal feedback program details karateintokyo com any questions or concerns email me at ynkaratedo

*karate kicks how to do them loyal fighter* - Mar 15 2023

web sep 1 2023 1 front kick the front kick is widely used in martial arts to perform this kick lift your knee and point it at your target extend your leg and hit the target with the sole of your foot pull the leg back after hitting the target you can perform the kick with a hitting keage or forceful pushing kekomi motion

*karate kicks every karateka needs to know udemy* - Oct 10 2022

web the 8 kicks taught in this course are the lead leg angled roundhouse kick lead leg side thrust kick rear leg roundhouse kick front leg push kick spinning back kick off angled lead leg heel kick rear leg push kick and off angled front snap kick each kick has its own video lesson which thoroughly demonstrates and explains step by

karate kick simulator codes october 2023 pro game guides - Jul 27 2021

web oct 14 2022 karate kick simulator is a game where you need to kick everything you can to get cash to level your character up and become stronger to kick higher leveled destructible in the many maps you can unlock in this world level up your stats and become the strongest kick as you kick the competition out of the way to climb to the top of the

list of martial arts kicks beginner advanced black belt wiki - Jul 19 2023

web martial arts kicks by martial arts style eskrima kicks hapkido kicks karate kicks muay thai kicks knee strikes taekwondo kicks training equipment for stronger more accurate kicks tips for better kicking power how to use a kicking bag this how to section focuses on kicking bags such as wavemaster bob body opponent bag

basic karate kicks mawashigeri youtube - Jun 18 2023

web mar 13 2011 the roundhouse kick mawashigeri is one of the basic kicks that all karate practitioners learn early on in

their training this video breaks down how to perform the roundhouse kick

**karate origin description history britannica** - Jun 06 2022

web oct 18 2023 karate unarmed martial arts discipline employing kicking striking and defensive blocking with arms and legs with an emphasis on concentrating as much of the body's power as possible at the point and instant of impact learn more about the techniques and history of karate in this article

**list of karate kicks beginner advanced black belt wiki** - Sep 21 2023

web this page will help you learn a variety of basic karate kicks such as mawashi geri roundhouse kick and ushiro geri back kick it also lists the japanese names for these karate kicking techniques these kicks are used for kata self defense kumite sparring demonstrations etc

**karate kick gifs tenor** - Nov 30 2021

web with tenor maker of gif keyboard add popular karate kick animated gifs to your conversations share the best gifs now

*3 ways to kick in martial arts wikehow* - Feb 14 2023

web dec 8 2022 1 begin all kicks in your fighting stance the fighting stance is designed for good balance and you can perform almost any martial arts move from this basic position place your feet about shoulder width apart then step forward with your weaker foot so it's ahead of your dominant foot bring your hands up to the height of your chin 1