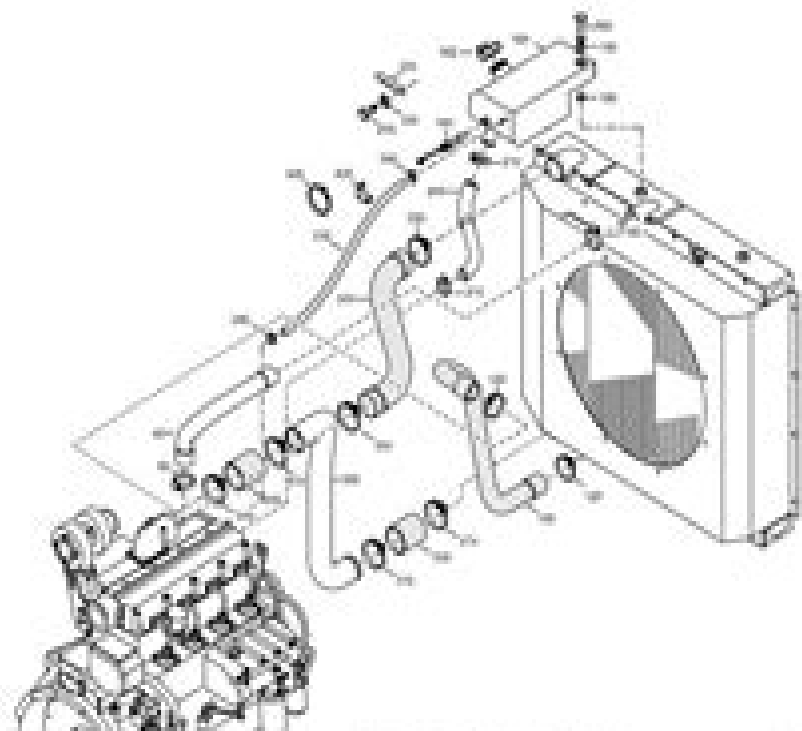


STANDARD

FRONT LOADING



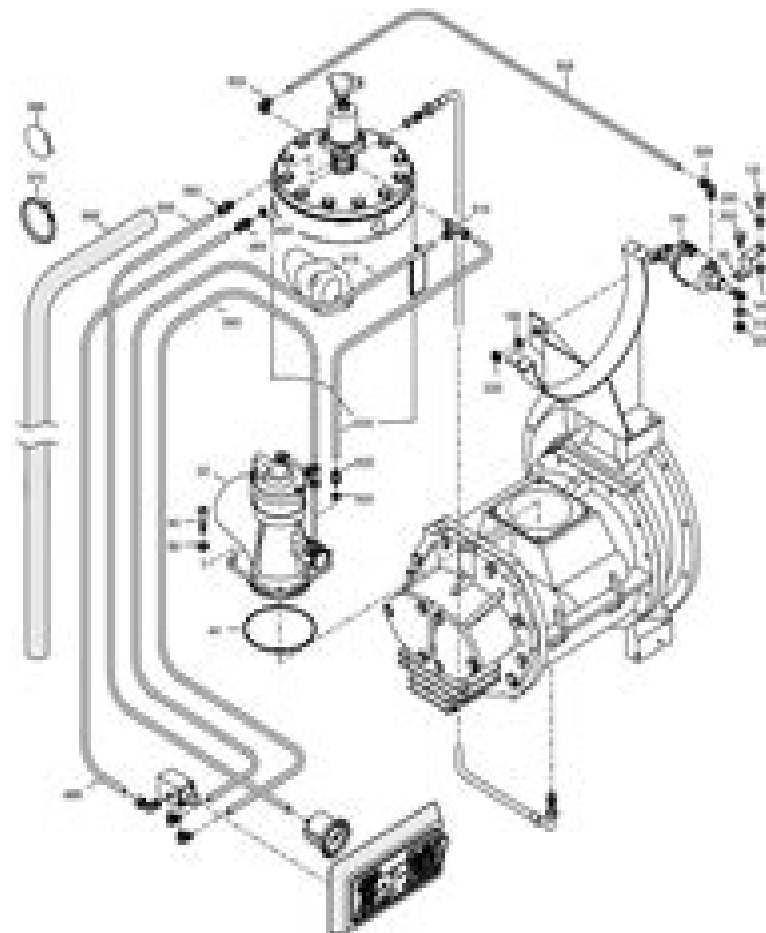
REF.	REF. NUMBER	DESCRIPTION	QTY	REF.	REF. NUMBER	DESCRIPTION	QTY
01	100 0110 01	BOX	1	39	107 0100 01	WIRE CLAMP	1
02	107 0100 01	WIRE CLAMP	1	40	101 0000 01	BRACKET	1
03	100 0114 01	SPR	1	41	100 1000 00	CABLE TIE	1
04	107 0100 01	WIRE CLAMP	1				
05	100 0100 01	TOPWALL	1				
06	101 0000 01	ASSEMBLY KIT	1				
07	100 0100 01	LEVEL VEHICLE	1				
08	100 1000 00	FLAT BATTERY	1				
09	100 0100 01	BUSHING	1				
10	100 0100 01	BOX	1				
11	107 0100 01	WIRE CLAMP	1				
12	107 0100 01	WIRE CLAMP	1				
13	107 0100 01	WIRE CLAMP	1				
14	107 0100 01	WIRE CLAMP	1				
15	107 0100 01	WIRE CLAMP	1				
16	107 0100 01	WIRE CLAMP	1				
17	107 0100 01	WIRE CLAMP	1				
18	107 0100 01	WIRE CLAMP	1				
19	107 0100 01	WIRE CLAMP	1				
20	107 0100 01	WIRE CLAMP	1				
21	100 0100 01	BOX	1				
22	107 0100 01	WIRE CLAMP	1				
23	100 0100 01	BOX	1				
24	107 0100 01	WIRE CLAMP	1				
25	100 0100 01	BOX	1				
26	107 0100 01	WIRE CLAMP	1				
27	100 0100 01	BOX	1				
28	107 0100 01	WIRE CLAMP	1				
29	100 0100 01	BOX	1				
30	107 0100 01	WIRE CLAMP	1				
31	100 0100 01	BOX	1				
32	107 0100 01	WIRE CLAMP	1				
33	100 0100 01	WIRE INTERCOOLER	1				

REF. 100 0100 01

38

STANDARD

INSULATED SYSTEM



39

REF. 100 0100 01

Atlas Copco Xas97jd Service Manual

D Kirk



Atlas Copco Xas97jd Service Manual:

Thank you totally much for downloading **Atlas Copco Xas97jd Service Manual**. Maybe you have knowledge that, people have seen numerous periods for their favorite books similar to this Atlas Copco Xas97jd Service Manual, but end up in harmful downloads.

Rather than enjoying a good book taking into account a cup of coffee in the afternoon, then again they jiggled gone some harmful virus inside their computer. **Atlas Copco Xas97jd Service Manual** is nearby in our digital library an online permission to it is set as public fittingly you can download it instantly. Our digital library saves in merged countries, allowing you to get the most less latency epoch to download any of our books later this one. Merely said, the Atlas Copco Xas97jd Service Manual is universally compatible in the manner of any devices to read.

https://netdata.businessstraveller.com/files/virtual-library/index.jsp/2000_Ford_Ranger_Xlt_Service_Manual.pdf

Table of Contents Atlas Copco Xas97jd Service Manual

1. Understanding the eBook Atlas Copco Xas97jd Service Manual
 - The Rise of Digital Reading Atlas Copco Xas97jd Service Manual
 - Advantages of eBooks Over Traditional Books
2. Identifying Atlas Copco Xas97jd Service Manual
 - Exploring Different Genres
 - Considering Fiction vs. Non-Fiction
 - Determining Your Reading Goals
3. Choosing the Right eBook Platform
 - Popular eBook Platforms
 - Features to Look for in an Atlas Copco Xas97jd Service Manual
 - User-Friendly Interface
4. Exploring eBook Recommendations from Atlas Copco Xas97jd Service Manual
 - Personalized Recommendations
 - Atlas Copco Xas97jd Service Manual User Reviews and Ratings

- Atlas Copco Xas97jd Service Manual and Bestseller Lists
- 5. Accessing Atlas Copco Xas97jd Service Manual Free and Paid eBooks
 - Atlas Copco Xas97jd Service Manual Public Domain eBooks
 - Atlas Copco Xas97jd Service Manual eBook Subscription Services
 - Atlas Copco Xas97jd Service Manual Budget-Friendly Options
- 6. Navigating Atlas Copco Xas97jd Service Manual eBook Formats
 - ePub, PDF, MOBI, and More
 - Atlas Copco Xas97jd Service Manual Compatibility with Devices
 - Atlas Copco Xas97jd Service Manual Enhanced eBook Features
- 7. Enhancing Your Reading Experience
 - Adjustable Fonts and Text Sizes of Atlas Copco Xas97jd Service Manual
 - Highlighting and Note-Taking Atlas Copco Xas97jd Service Manual
 - Interactive Elements Atlas Copco Xas97jd Service Manual
- 8. Staying Engaged with Atlas Copco Xas97jd Service Manual
 - Joining Online Reading Communities
 - Participating in Virtual Book Clubs
 - Following Authors and Publishers Atlas Copco Xas97jd Service Manual
- 9. Balancing eBooks and Physical Books Atlas Copco Xas97jd Service Manual
 - Benefits of a Digital Library
 - Creating a Diverse Reading Collection Atlas Copco Xas97jd Service Manual
- 10. Overcoming Reading Challenges
 - Dealing with Digital Eye Strain
 - Minimizing Distractions
 - Managing Screen Time
- 11. Cultivating a Reading Routine Atlas Copco Xas97jd Service Manual
 - Setting Reading Goals Atlas Copco Xas97jd Service Manual
 - Carving Out Dedicated Reading Time
- 12. Sourcing Reliable Information of Atlas Copco Xas97jd Service Manual
 - Fact-Checking eBook Content of Atlas Copco Xas97jd Service Manual
 - Distinguishing Credible Sources

13. Promoting Lifelong Learning
 - Utilizing eBooks for Skill Development
 - Exploring Educational eBooks
14. Embracing eBook Trends
 - Integration of Multimedia Elements
 - Interactive and Gamified eBooks

Atlas Copco Xas97jd Service Manual Introduction

Atlas Copco Xas97jd Service Manual Offers over 60,000 free eBooks, including many classics that are in the public domain. Open Library: Provides access to over 1 million free eBooks, including classic literature and contemporary works. Atlas Copco Xas97jd Service Manual Offers a vast collection of books, some of which are available for free as PDF downloads, particularly older books in the public domain. Atlas Copco Xas97jd Service Manual : This website hosts a vast collection of scientific articles, books, and textbooks. While it operates in a legal gray area due to copyright issues, its a popular resource for finding various publications. Internet Archive for Atlas Copco Xas97jd Service Manual : Has an extensive collection of digital content, including books, articles, videos, and more. It has a massive library of free downloadable books. Free-eBooks Atlas Copco Xas97jd Service Manual Offers a diverse range of free eBooks across various genres. Atlas Copco Xas97jd Service Manual Focuses mainly on educational books, textbooks, and business books. It offers free PDF downloads for educational purposes. Atlas Copco Xas97jd Service Manual Provides a large selection of free eBooks in different genres, which are available for download in various formats, including PDF. Finding specific Atlas Copco Xas97jd Service Manual, especially related to Atlas Copco Xas97jd Service Manual, might be challenging as theyre often artistic creations rather than practical blueprints. However, you can explore the following steps to search for or create your own Online Searches: Look for websites, forums, or blogs dedicated to Atlas Copco Xas97jd Service Manual, Sometimes enthusiasts share their designs or concepts in PDF format. Books and Magazines Some Atlas Copco Xas97jd Service Manual books or magazines might include. Look for these in online stores or libraries. Remember that while Atlas Copco Xas97jd Service Manual, sharing copyrighted material without permission is not legal. Always ensure youre either creating your own or obtaining them from legitimate sources that allow sharing and downloading. Library Check if your local library offers eBook lending services. Many libraries have digital catalogs where you can borrow Atlas Copco Xas97jd Service Manual eBooks for free, including popular titles. Online Retailers: Websites like Amazon, Google Books, or Apple Books often sell eBooks. Sometimes, authors or publishers offer promotions or free periods for certain books. Authors Website Occasionally, authors provide excerpts or short stories for free on their websites. While this might not be the Atlas Copco Xas97jd Service Manual full book , it can give you a

taste of the authors writing style. Subscription Services Platforms like Kindle Unlimited or Scribd offer subscription-based access to a wide range of Atlas Copco Xas97jd Service Manual eBooks, including some popular titles.

FAQs About Atlas Copco Xas97jd Service Manual Books

How do I know which eBook platform is the best for me? Finding the best eBook platform depends on your reading preferences and device compatibility. Research different platforms, read user reviews, and explore their features before making a choice. Are free eBooks of good quality? Yes, many reputable platforms offer high-quality free eBooks, including classics and public domain works. However, make sure to verify the source to ensure the eBook credibility. Can I read eBooks without an eReader? Absolutely! Most eBook platforms offer web-based readers or mobile apps that allow you to read eBooks on your computer, tablet, or smartphone. How do I avoid digital eye strain while reading eBooks? To prevent digital eye strain, take regular breaks, adjust the font size and background color, and ensure proper lighting while reading eBooks. What the advantage of interactive eBooks? Interactive eBooks incorporate multimedia elements, quizzes, and activities, enhancing the reader engagement and providing a more immersive learning experience. Atlas Copco Xas97jd Service Manual is one of the best book in our library for free trial. We provide copy of Atlas Copco Xas97jd Service Manual in digital format, so the resources that you find are reliable. There are also many Ebooks of related with Atlas Copco Xas97jd Service Manual. Where to download Atlas Copco Xas97jd Service Manual online for free? Are you looking for Atlas Copco Xas97jd Service Manual PDF? This is definitely going to save you time and cash in something you should think about.

Find Atlas Copco Xas97jd Service Manual :

2000 ford ranger xlt service manual

who i was essay

the marriage license study manual english edition

1997 suzuki df115 outboard manual

improvement of conveyancing by legislation

97 mustang gt fuse box

2008 ap calculus bc multiple choice answers

ohio school bus training manual

at t 7630 userss guide

[honey and salt second portion](#)
[aban offshore limited irancell home](#)
[700 hino truck engine diagnostic manual](#)
quizlet ap biology guide answers
[advanced quantitative finance with c](#)
[sell teacher39s edition textbooks](#)

Atlas Copco Xas97jd Service Manual :

Espaces French Answers.pdf French Espaces Supersite Answers [Books] Espaces French Answer Key Espaces ... Workbook Answers,Vtu Engineering Physics Viva Questions With Answers. Course Hero ... Espaces French Answers 2 .pdf French Espaces Supersite Answers [Books] Espaces French Answer Key Espaces ... Workbook Answers,Jko Sere 100 Captivity Exercise Answers,Scarlet Letter Study ... Espaces: Rendez-vous Avec Le Monde Francophone : ... Amazon.com: Espaces: Rendez-vous Avec Le Monde Francophone : Workbook / Video Manual / Lab Manual Answer Key (French and English Edition): 9781593348380: ... Workbook Answer Key - French Learn@Home Please complete the workbook on your own FIRST. Then use the following answer keys to self correct your work. ... All chapters must be check and "signed off on" ... ANSWER KEY - WORKBOOK B. 1 Nothing - they are free. 2 Eiffel Tower (Paris) and the Empire State. Building (New York). 3 You can see many of London's best sights from here. Answer key Answer key. 2. 1 Greek and Roman history. 2 He doesn't have as much background knowledge as the other students. 3 Reading some history or a book by Herodotus. Rendez-vous Avec Le Monde Francophone : Workbook ... Espaces: Rendez-vous Avec Le Monde Francophone : Workbook / Video Manual / Lab Manual Answer Key (French and English Edition) - Softcover ; Softcover. ISBN 10: ... Espaces, 4th Edition - French Vibrant and original, Espaces takes a fresh, student-friendly approach to introductory French, aimed at making students' learning and instructors' teaching ... Espaces, 5th Edition Vibrant and original, Espaces takes a fresh, student-friendly approach to introductory French, aimed at making students' learning and instructors' teaching ... CHI Health Immanuel CHI Health Immanuel is a top ranked hospital in Omaha, Nebraska with doctors specializing in back and spine, bariatric surgery, rehab and cancer care. Maps & Directions - CHI Health Immanuel Maps and directions for CHI Health Immanuel in Omaha, Nebraska. ... (402) 572-2121. Related Links. CHI Health Creighton University Medical Center - Bergan Mercy. CHI Health Immanuel | Omaha NE CHI Health Immanuel · Page · Hospital · (402) 572-2121 · chihealth.com/content/chi-health/en/location- search/immanuel. html?utm_source=LocalSearch&utm_medium=Fa CHI Health Immanuel Medical Center - Omaha, NE CHI Health Immanuel Medical Center. CHI Health Immanuel Medical Center. (402) 572-2121. 6901 N 72nd St. Omaha, NE 68122. Get Directions. View Website. Immanuel Medical Center Immanuel Medical Center is a hospital

located in Omaha, Nebraska. It is part of CHI Health. Immanuel Medical Center. CHI Health. Geography. CHI Health Immanuel in Omaha, NE - Rankings, Ratings & ... CHI Health Immanuel is located at 6901 North 72nd Street, Omaha, NE. Find directions at US News. What do patients say about CHI Health Immanuel? CHI Health Immanuel, 6901 N 72nd St, Omaha ... Get directions, reviews and information for CHI Health Immanuel in Omaha, NE. You can also find other Hospitals on MapQuest. CHI Health Immanuel (280081) - Free Profile Name and Address: CHI Health Immanuel 6901 North 72nd Street Omaha, NE 68122 ; Telephone Number: (402) 572-2121 ; Hospital Website: www.chihealth.com/immanuel-med ... Alegent Health Immanuel Medical Center The rich and well documented history of Immanuel Medical Center in Omaha, Nebraska is shown in these images of the early buildings, people and artifacts. CHI HEALTH IMMANUEL - 13 Photos & 11 Reviews CHI Health Immanuel · Map · 6901 N 72nd St. Omaha, NE 68122. North Omaha. Directions · (402) 572-2121. Call Now · Known For. Yes. Accepts Credit Cards. Accepts ... The Essential Theatre by Brockett, Oscar G. - Amazon.com The Tenth Edition of THE ESSENTIAL THEATRE will inspire readers to become excited about theatre. The combined authorship of an authoritative theatre ... The Essential Theatre - Oscar Gross Brockett, Robert J. Ball The Tenth Edition of THE ESSENTIAL THEATRE will inspire readers to become excited about theatre. The combined authorship of an authoritative theatre ... The Essential Theatre by Oscar G. Brockett Robert J. Ball The Essential Theatre Review This The Essential Theatre book is not really ordinary book, you have it then the world is in your hands. The benefit you get by ... Amazon.com: The Essential Theatre, Enhanced FREE delivery December 28 - 29. Details. Arrives after Christmas. Need a gift ... Cengage Learning; 10th edition (March 28, 2013). Language, English. Paperback ... Here is a link to almost any textbook's free PDF version. : [r/untd](#) Need a pdf for Essential Cell Biology 6th edition isbn: 978-1-324 ... Introduction to the Practice of Statistics, 10th edition. By David S ... Editions of The Essential Theatre by Oscar Gross Brockett The Essential Theatre 10th Edition. Published January 1st 2011 by Cengage ... Goodreadswww.goodreads.comFREE - In Google Play. View. The Essential Theatre, 11th Edition - Cengage Hardcover textbook for Brockett/Ball/Fleming/Carlson's The Essential Theatre. Buy direct for hassle-free returns. Included in Cengage Unlimited. free read [pdf] The Essential Theatre - YUMPU Sep 15, 2022 — The Eleventh Edition includes an all-new chapter devoted to musical theatre, new Then and Now boxes that link theatre history to present-day, ... [PDF] The Essential Theatre by Oscar Brockett eBook - Perlego The Eleventh Edition includes an all-new chapter devoted to musical theatre, new "Then and Now" boxes that link theatre history to present-day, and numerous new ... Got my Theatre textbook today, and look who's on ... - Reddit It's The Essential Theatre: Tenth Edition by Oscar G. Brockett and Robert J. Ball. The ISBN is 9780495807971 so you can find the exact edition.