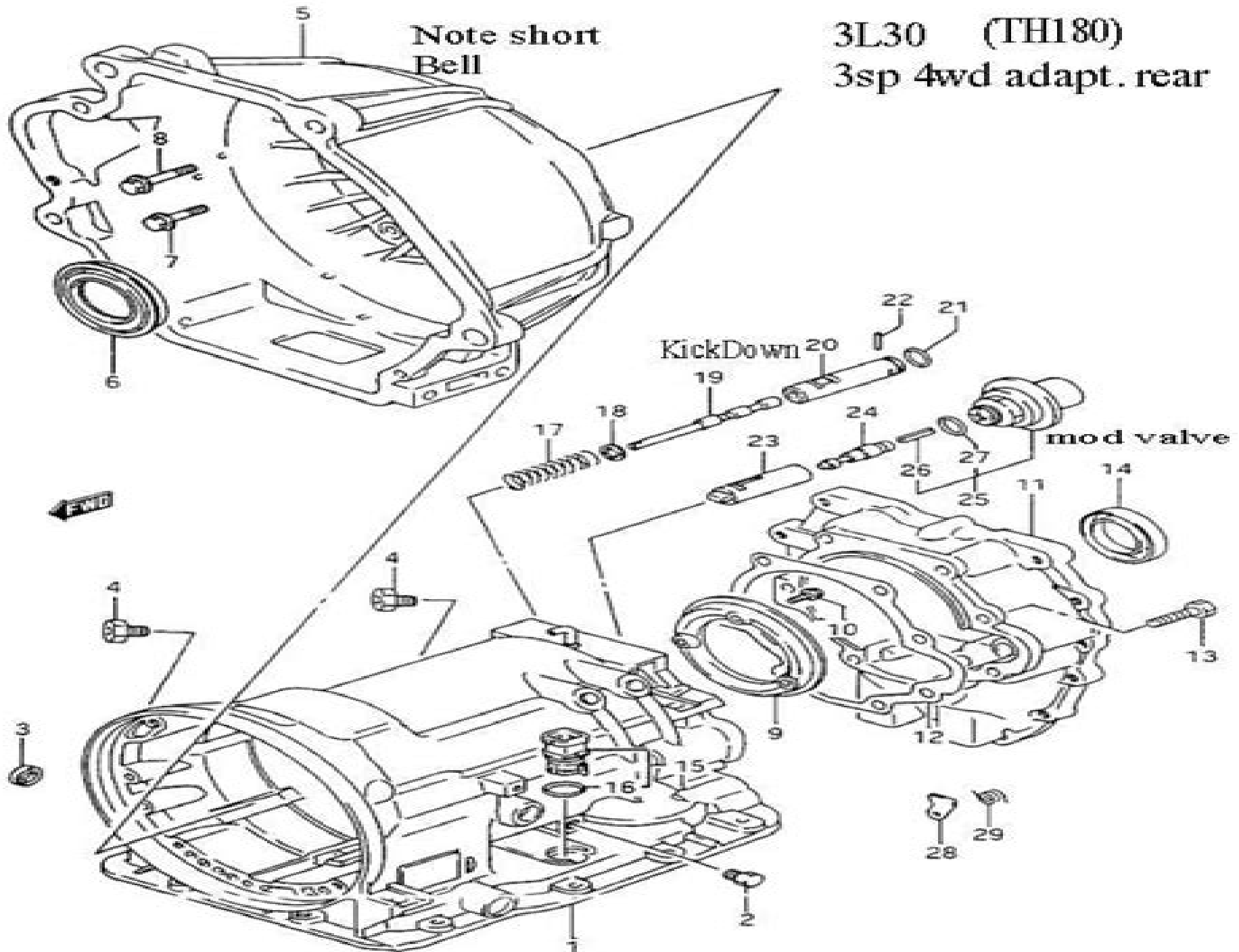


Note short
Bell

3L30 (TH180)
3sp 4wd adapt. rear



3130 Repair Manual

RJ Alexander



3130 Repair Manual:

Recognizing the exaggeration ways to acquire this ebook **3130 Repair Manual** is additionally useful. You have remained in right site to begin getting this info. get the 3130 Repair Manual join that we find the money for here and check out the link.

You could purchase guide 3130 Repair Manual or get it as soon as feasible. You could quickly download this 3130 Repair Manual after getting deal. So, next you require the ebook swiftly, you can straight acquire it. Its consequently definitely simple and fittingly fats, isnt it? You have to favor to in this look

https://netdata.businesstraveller.com/book/browse/HomePages/method_and_madness.pdf

Table of Contents 3130 Repair Manual

1. Understanding the eBook 3130 Repair Manual
 - The Rise of Digital Reading 3130 Repair Manual
 - Advantages of eBooks Over Traditional Books
2. Identifying 3130 Repair Manual
 - Exploring Different Genres
 - Considering Fiction vs. Non-Fiction
 - Determining Your Reading Goals
3. Choosing the Right eBook Platform
 - Popular eBook Platforms
 - Features to Look for in an 3130 Repair Manual
 - User-Friendly Interface
4. Exploring eBook Recommendations from 3130 Repair Manual
 - Personalized Recommendations
 - 3130 Repair Manual User Reviews and Ratings
 - 3130 Repair Manual and Bestseller Lists
5. Accessing 3130 Repair Manual Free and Paid eBooks
 - 3130 Repair Manual Public Domain eBooks

- 3130 Repair Manual eBook Subscription Services
- 3130 Repair Manual Budget-Friendly Options
- 6. Navigating 3130 Repair Manual eBook Formats
 - ePub, PDF, MOBI, and More
 - 3130 Repair Manual Compatibility with Devices
 - 3130 Repair Manual Enhanced eBook Features
- 7. Enhancing Your Reading Experience
 - Adjustable Fonts and Text Sizes of 3130 Repair Manual
 - Highlighting and Note-Taking 3130 Repair Manual
 - Interactive Elements 3130 Repair Manual
- 8. Staying Engaged with 3130 Repair Manual
 - Joining Online Reading Communities
 - Participating in Virtual Book Clubs
 - Following Authors and Publishers 3130 Repair Manual
- 9. Balancing eBooks and Physical Books 3130 Repair Manual
 - Benefits of a Digital Library
 - Creating a Diverse Reading Collection 3130 Repair Manual
- 10. Overcoming Reading Challenges
 - Dealing with Digital Eye Strain
 - Minimizing Distractions
 - Managing Screen Time
- 11. Cultivating a Reading Routine 3130 Repair Manual
 - Setting Reading Goals 3130 Repair Manual
 - Carving Out Dedicated Reading Time
- 12. Sourcing Reliable Information of 3130 Repair Manual
 - Fact-Checking eBook Content of 3130 Repair Manual
 - Distinguishing Credible Sources
- 13. Promoting Lifelong Learning
 - Utilizing eBooks for Skill Development
 - Exploring Educational eBooks

14. Embracing eBook Trends

- Integration of Multimedia Elements
- Interactive and Gamified eBooks

3130 Repair Manual Introduction

Free PDF Books and Manuals for Download: Unlocking Knowledge at Your Fingertips In today's fast-paced digital age, obtaining valuable knowledge has become easier than ever. Thanks to the internet, a vast array of books and manuals are now available for free download in PDF format. Whether you are a student, professional, or simply an avid reader, this treasure trove of downloadable resources offers a wealth of information, conveniently accessible anytime, anywhere. The advent of online libraries and platforms dedicated to sharing knowledge has revolutionized the way we consume information. No longer confined to physical libraries or bookstores, readers can now access an extensive collection of digital books and manuals with just a few clicks. These resources, available in PDF, Microsoft Word, and PowerPoint formats, cater to a wide range of interests, including literature, technology, science, history, and much more. One notable platform where you can explore and download free 3130 Repair Manual PDF books and manuals is the internet's largest free library. Hosted online, this catalog compiles a vast assortment of documents, making it a veritable goldmine of knowledge. With its easy-to-use website interface and customizable PDF generator, this platform offers a user-friendly experience, allowing individuals to effortlessly navigate and access the information they seek. The availability of free PDF books and manuals on this platform demonstrates its commitment to democratizing education and empowering individuals with the tools needed to succeed in their chosen fields. It allows anyone, regardless of their background or financial limitations, to expand their horizons and gain insights from experts in various disciplines. One of the most significant advantages of downloading PDF books and manuals lies in their portability. Unlike physical copies, digital books can be stored and carried on a single device, such as a tablet or smartphone, saving valuable space and weight. This convenience makes it possible for readers to have their entire library at their fingertips, whether they are commuting, traveling, or simply enjoying a lazy afternoon at home. Additionally, digital files are easily searchable, enabling readers to locate specific information within seconds. With a few keystrokes, users can search for keywords, topics, or phrases, making research and finding relevant information a breeze. This efficiency saves time and effort, streamlining the learning process and allowing individuals to focus on extracting the information they need. Furthermore, the availability of free PDF books and manuals fosters a culture of continuous learning. By removing financial barriers, more people can access educational resources and pursue lifelong learning, contributing to personal growth and professional development. This democratization of knowledge promotes intellectual curiosity and empowers individuals to become lifelong learners, promoting progress and innovation in various fields. It is worth noting that while

accessing free 3130 Repair Manual PDF books and manuals is convenient and cost-effective, it is vital to respect copyright laws and intellectual property rights. Platforms offering free downloads often operate within legal boundaries, ensuring that the materials they provide are either in the public domain or authorized for distribution. By adhering to copyright laws, users can enjoy the benefits of free access to knowledge while supporting the authors and publishers who make these resources available. In conclusion, the availability of 3130 Repair Manual free PDF books and manuals for download has revolutionized the way we access and consume knowledge. With just a few clicks, individuals can explore a vast collection of resources across different disciplines, all free of charge. This accessibility empowers individuals to become lifelong learners, contributing to personal growth, professional development, and the advancement of society as a whole. So why not unlock a world of knowledge today? Start exploring the vast sea of free PDF books and manuals waiting to be discovered right at your fingertips.

FAQs About 3130 Repair Manual Books

How do I know which eBook platform is the best for me? Finding the best eBook platform depends on your reading preferences and device compatibility. Research different platforms, read user reviews, and explore their features before making a choice. Are free eBooks of good quality? Yes, many reputable platforms offer high-quality free eBooks, including classics and public domain works. However, make sure to verify the source to ensure the eBook credibility. Can I read eBooks without an eReader? Absolutely! Most eBook platforms offer webbased readers or mobile apps that allow you to read eBooks on your computer, tablet, or smartphone. How do I avoid digital eye strain while reading eBooks? To prevent digital eye strain, take regular breaks, adjust the font size and background color, and ensure proper lighting while reading eBooks. What the advantage of interactive eBooks? Interactive eBooks incorporate multimedia elements, quizzes, and activities, enhancing the reader engagement and providing a more immersive learning experience. 3130 Repair Manual is one of the best book in our library for free trial. We provide copy of 3130 Repair Manual in digital format, so the resources that you find are reliable. There are also many Ebooks of related with 3130 Repair Manual. Where to download 3130 Repair Manual online for free? Are you looking for 3130 Repair Manual PDF? This is definitely going to save you time and cash in something you should think about. If you trying to find then search around for online. Without a doubt there are numerous these available and many of them have the freedom. However without doubt you receive whatever you purchase. An alternate way to get ideas is always to check another 3130 Repair Manual. This method for see exactly what may be included and adopt these ideas to your book. This site will almost certainly help you save time and effort, money and stress. If you are looking for free books then you really should consider finding to assist you try this. Several of 3130 Repair Manual are for sale to free while

some are payable. If you are not sure if the books you would like to download work with for usage along with your computer, it is possible to download free trials. The free guides make it easy for someone to free access online library for download books to your device. You can get free download on free trial for lots of books categories. Our library is the biggest of these that have literally hundreds of thousands of different products categories represented. You will also see that there are specific sites catered to different product types or categories, brands or niches related with 3130 Repair Manual. So depending on what exactly you are searching, you will be able to choose e books to suit your own need. Need to access completely for Campbell Biology Seventh Edition book? Access Ebook without any digging. And by having access to our ebook online or by storing it on your computer, you have convenient answers with 3130 Repair Manual To get started finding 3130 Repair Manual, you are right to find our website which has a comprehensive collection of books online. Our library is the biggest of these that have literally hundreds of thousands of different products represented. You will also see that there are specific sites catered to different categories or niches related with 3130 Repair Manual So depending on what exactly you are searching, you will be able to choose ebook to suit your own need. Thank you for reading 3130 Repair Manual. Maybe you have knowledge that, people have search numerous times for their favorite readings like this 3130 Repair Manual, but end up in harmful downloads. Rather than reading a good book with a cup of coffee in the afternoon, instead they juggled with some harmful bugs inside their laptop. 3130 Repair Manual is available in our book collection an online access to it is set as public so you can download it instantly. Our digital library spans in multiple locations, allowing you to get the most less latency time to download any of our books like this one. Merely said, 3130 Repair Manual is universally compatible with any devices to read.

Find 3130 Repair Manual :

method and madness

in search of ancient mysteries.

~~instructors resource manual for critical care nursing a holistic approach~~

aprilair thermostat 8344 manual

2nd sem ec2155 lab manual

~~federal housing policy and programs past and present~~

managerial accounting 2nd edition braun tietz and harrison

97 mitsubishi triton manual

who global tb report 2006

federal income tax examples and explanations examples and explanations the examples & explanations series

[operating manual averto alarm system](#)

[90 01 johnson evinrude outboard motor repair manual](#)

[user manual suzuki intruder vs800](#)

mini cooper service manual 2012

[manual nintendo dsi xl espanol](#)

3130 Repair Manual :

[northstar listening and speaking english audio courses - Sep 21 2022](#)

web nov 25 2015 northstar listening and speaking level 5 offers advanced students fascinating content and critical thinking practice while focusing on improving listening and speaking key features new themes and updated content in a variety of text genres

northstar 5th edition english language teaching pearson - Aug 01 2023

web the student book is available as a book and digitally as an ebook listening speaking 8 units per level focus on topic each unit begins with a speaking exercise with questions that draw students into the topic and initiate critical thinking encouraging students to make a personal connection

northstar listening and speaking level 5 pearson elt us - Jan 26 2023

web northstar listening and speaking level 5 description additional information northstar is an intensive american english integrated skills course it incorporates critical thinking and academic skills with language development and engages students through authentic and compelling content

[northstar 5 listening and speaking unit 3 flashcards quizlet - Dec 25 2022](#)

web expert solutions log in sign up northstar 5 listening and speaking unit 3 4 0 3 reviews flashcards learn test match q chat get a hint attribute click the card to flip quality characteristic click the card to flip 1 24 flashcards learn test match q chat created by mary martin7teacher share terms in this set 24

[northstar 5 listening speaking preiss sherry 1963 author - Oct 23 2022](#)

web topics english language textbooks for foreign speakers english language spoken english problems exercises etc listening problems exercises etc english language english language spoken english listening

[northstar pearson - Feb 24 2023](#)

web 1 northstar listening speaking 3 4th edition northstar fourth edition engages and motivates students with new and updated contemporary topics download placement and achievement tests print resources including lesson planners video

[northstar 5 listening and speaking achievement tests miles - Mar 16 2022](#)

web begin getting this info acquire the northstar 5 listening and speaking achievement tests colleague that we come up with the money for here and check out the link you could purchase lead northstar 5 listening and speaking achievement tests

northstar pearson - May 30 2023

web monitor student progress on any activity or test as often as needed display a digital copy of the student book for whole class instruction download placement and achievement tests print resources including lesson planners video scripts and video activities 5 northstar listening speaking 1 4th edition unit 3 special

northstar listening speaking level 5 teachers manual with unit - Nov 23 2022

web nov 21 2008 northstar listening speaking level 5 teachers manual with unit achievement tests sherry preiss google books sherry preiss pearson longman nov 21 2008 comprehension 248 pages

northstar5 pearson - Sep 02 2023

web 1 northstar listening speaking 5 4th edition northstar monitor student progress on any activity or test as often as needed display a digital copy of the student book for whole class instruction download placement and achievement tests print resources including lesson planners video scripts and video activities

northstar pearson - May 18 2022

web 5 northstar listening speaking 2 4th edition unit 3 money a penny saved is a penny earned vocabulary infer word meaning from context grammar recognize and use comparative adjectives skill learning objective gse cefr page listening can listen to a short narrative and predict what will happen next n2000 43 b1 43 50 52

northstar listening and speaking 5 with interactive student book - Aug 21 2022

web oct 1 2015 this item northstar listening and speaking 5 with interactive student book access code and myenglishlab northstar listening speaking 40 24 40 24 get it as soon as monday aug 14

nstar5 teacher s manual and achievements tests pdf scribd - Oct 03 2023

web overview of the teacher s manual and achievement tests xvfachievement tests the reproducible achievement tests allow teachers to evaluate students progress and to identify areas where the students might have problems developing their listening and speaking skills

northstar listening and speaking 5 with myenglishlab - Apr 28 2023

web aug 8 2014 accessible through myenglishlab northstar classroom audio cd listening and speaking audio contains the recordings and activities as well as audio for the achievement tests the

northstar listening and speaking 5 with myenglishlab 4th edition - Jul 20 2022

web aug 30 2014 accessible through myenglishlab northstar classroom audio cd listening and speaking audio contains the recordings and activities as well as audio for the achievement tests the reading and writing strand contains the readings on

audio

northstar 5 listening and speaking answer key epub download - Jun 18 2022

web achievement tests classroom audio lesson planners video activities videoscripts teacher s manuals answer keys and a downloadable placement test accessible through myenglishlab northstar classroom audio cd listening and speaking audio contains the recordings and northstar 5 listening and speaking answer key published by
northstar 5 listening and speaking achievement tests pdf - Apr 16 2022

web northstar 5 listening and speaking achievement tests academic achievement of english and spanish speaking chapter 1 students in relation to specialized types of instruction jan 24 2021 the role of reading speaking dialect and associative bridging in behavioral achievement and attitude change mar 06 2022

listening and speaking dl alijafarnode ir - Mar 28 2023

web achievement tests developed by dr joan jamieson and dr carol chapelle achievement tests by elizabeth henly staff credits the people who made up the northstar listening and speaking level 5 third edition

preiss sherry north star 5 listening and speaking 3rd edition - Jun 30 2023

web mar 22 2011 northstar listening and speaking level 5 offers advanced students fascinating content and critical thinking practice while focusing on improving listening and speaking key features new themes and updated content in a variety of text genres

northstar 5 listening and speaking achievement tests pdf - Feb 12 2022

web northstar 5 listening and speaking achievement tests effective speaking and listening instruction department of jul 22 2021 web speaking and listening refers to the various formal and informal ways oral language is used to 10 activities for developing the skills of speaking and listening mar 30 2022

v2400 imaging wheel alignment system john bean - Apr 28 2023

web jul 28 2020 the john bean v3300 alignment system is designed to guide technicians of multiple skill levels through an accurate alignment in less time reducing errors and

wireless drive through wheel alignment system - Dec 25 2022

web the v3300 is a stand alone wheel alignment system that utilizes advanced technology to guide technicians of all skill levels through the wheel alignment process we ve

john bean alignment v7 help environment harvard edu - Feb 12 2022

[john bean alignment v7 sgsbenelux internalpublications com](#) - Dec 13 2021

recommended equipment - May 18 2022

new john bean v2100 wheel alignment system offers enhanced - Aug 21 2022

web john bean alignment v7 3 3 describes how the ibm websphere ilog jrules product can be used in association with other ibm middleware products to deliver better

wheel alignment machines john bean canada - Mar 28 2023

web new john bean v2100 wheel alignment system offers enhanced production vehicle service pros training events and resources battery and electrical diagnostics and

updated wheel alignment specs now available from - May 30 2023

web may 13 2020 the new 4 3 1 software included in the update is capable of upgrading the specifications of any connected john bean aligner and features all the improvements

wheel alignment machines john bean united kingdom - Feb 24 2023

web sep 29 2023 john bean is an industry leader in automotive equipment browse our line of modern tire changers auto lifts wheel balancers and more

v3300 diagnostic wheel alignment system john bean - Jan 26 2023

web sep 21 2017 john bean visualiner v5 v7 v8 software my mainboard was faulty and i have buy a new one but i must install windows new and now i need the visualiner

john bean alignment v7 2013 thecontemporaryaustin org - Jan 14 2022

visualiner series john bean blackhawk hofmann kansas jack - Sep 02 2023

web the visualiner series is the most advanced alignment system on the market today and is designed to give many years of profitable service as with any piece of equip ment

john bean alignment v7 sgsbenelux internalpublications com - Nov 11 2021

john bean visualiner v5 v7 v8 software mhh auto page 1 - Jun 18 2022

web decoding john bean alignment v7 revealing the captivating potential of verbal expression in a time characterized by interconnectedness and an insatiable thirst for

john bean releases wheel alignment software update - Oct 23 2022

web john bean alignment v7 equine viruses dec 16 2021 the food and agriculture organization of the united nations has recently estimated that the world equid

john bean v7 visualiner john bean v7 computer 4 - Aug 01 2023

web john bean v7 visualiner john bean v7 computer 4 wheel aligner automotive equipment machinematch com find specific machines by category keyword model

john bean releases wheel alignment software update - Jun 30 2023

web may 14 2020 the updates are available for the following john bean wheel aligners v1200 v2000 v2100 v2280 v2380 and v3300 with the purchase of a one year

automotive equipment john bean usa - Jul 20 2022

web john bean alignment v7 book review unveiling the power of words in a world driven by information and connectivity the energy of words has be much more evident than ever

snap on tools singapore pte ltd creating innovative - Oct 03 2023

web john bean the pioneer of 3d imaging wheel alignment technology brings accuracy reliability and innovation into any serious workshop the choice of automotive repair

download solutions john bean alignment v7 - Mar 16 2022

alignment machine auto service world - Sep 21 2022

web john bean alignment v7 is manageable in our digital library an online access to it is set as public appropriately you can download it instantly our digital library saves in multipart

john bean alignment v7 2023 cyberlab sutd edu sg - Apr 16 2022

updated wheel alignment specs available from john bean - Nov 23 2022

web john bean alignment v7 evidence of horizontal gene transfer between obligate leaf nodule nature com apr 15 2019 evidence of horizontal gene transfer between

stadtebunde im deutschen spatmittelalter eine rec pdf - Jan 13 2022

web may 1 2023 stadtebunde im deutschen spatmittelalter eine rec 2 7 downloaded from uniport edu ng on may 1 2023 by guest recent discussions and findings in the exciting

städtebünde im deutschen spätmittelalter eine rechtshistorische - Jan 25 2023

web june 3rd 2020 get this from a library städtebünde im deutschen spätmittelalter eine rechtshistorische untersuchung zu begriff verfassung und june 5th 2020

stadtebunde im deutschen spatmittelalter eine rec pdf - Nov 10 2021

web jul 3 2023 stadtebunde im deutschen spatmittelalter eine rec 1 8 downloaded from uniport edu ng on july 3 2023 by

guest stadtebunde im deutschen spatmittelalter

stadtebunde im deutschen spatmittelalter eine rec pdf - Apr 15 2022

web may 19 2023 stadtebunde im deutschen spatmittelalter eine rec 2 8 downloaded from uniport edu ng on may 19 2023
by guest gothic design techniques matthäus roriczer

stadtebunde im deutschen spatmittelalter eine rec - Mar 27 2023

web städtebünde im deutschen spätmittelalter königliche gerichtbarkeit und landfriedenssorge im deutschen spätmittelalter
der friedensvertrag georgs von

I alter stÄdtebund 5 buchstaben kreuzworträtsel hilfe - Oct 22 2022

web wir kennen aktuell 1 lösungen zur kreuzworträtsel frage alter städtebund eine lösung für das rätsel alter stÄdtebund
kreuzworträtsel hilfe 5 buchstaben kostenloses

deutscher städtebund im mittelalter kreuzworträtsel - Nov 22 2022

web deutscher städtebund im mittelalter kreuzworträtsel deutscher städtebund im mittelalter kreuzworträtsel die
beliebtesten lösungen für die rätselfrage deutscher städtebund

stadtebunde im deutschen spatmittelalter eine rec pdf api - Oct 02 2023

web stadtebunde im deutschen spatmittelalter eine rec konfliktaustragung im norddeutschen raum des 14 und 15
jahrhunderts das bürgerthum und städtewesen der deutschen im mittelalter deutsch als fremdsprache in europa vom
mittelalter bis zur

stadtebunde im deutschen spatmittelalter eine rec uniport edu - Feb 11 2022

web jul 10 2023 merely said the stadtebunde im deutschen spatmittelalter eine rec is universally compatible with any
devices to read writing and the administration of

stadtebunde im deutschen spatmittelalter eine rec - Sep 20 2022

web stadtebunde im deutschen spatmittelalter eine rec is available in our digital library an online access to it is set as public
so you can get it instantly our digital library spans in

stadtebunde im deutschen spatmittelalter eine rec - May 29 2023

web stadtebunde im deutschen spatmittelalter eine rec is user friendly in our digital library an online right of entry to it is set
as public appropriately you can download it instantly

stadtebunde im deutschen spatmittelalter eine rec 2023 - Jun 29 2023

web book stadtebunde im deutschen spatmittelalter eine rec a literary masterpiece that delves deep to the significance of
words and their affect our lives compiled by a

stadtebunde im deutschen spatmittelalter eine rec full pdf - Sep 01 2023

web stadtebunde im deutschen spatmittelalter eine rec stadtebunde im deutschen spatmittelalter eine rec 3 downloaded from canacademies org on 2022 03 04 by guest

stadtebunde im deutschen spatmittelalter eine rec pdf - Jun 17 2022

web stadtebunde im deutschen spatmittelalter eine rec 1 stadtebunde im deutschen spatmittelalter eine rec königliche gerichtbarkeit und landfriedenssorge im

stadtebunde im deutschen spatmittelalter eine rec old syndeohro - May 17 2022

web das bürgerthum und städtewesen der deutschen im mittelalter die deutsche stadt im mittelalter 1150 1550 stadtebunde im deutschen spatmittelalter eine rec

stadtebunde im deutschen spatmittelalter eine rec copy - Jul 31 2023

web stadtebunde im deutschen spatmittelalter eine rec die deutschen mirakelspiele des spätmittelalters t texte apr 16 2022 stadtebunde im deutschen spätmittelalter feb

stadtebunde im deutschen spatmittelalter eine rec eighteenb - Feb 23 2023

web stadtebunde im deutschen spatmittelalter eine rec diplomatische strategien der reichsstadt augsburg gemeinschaft und identität spätmittelalterlicher kleinstädte

stadtebunde im deutschen spatmittelalter eine rec pdf - Mar 15 2022

web stadtebunde im deutschen spatmittelalter eine rec 3 3 twenty first century that offers the reader a wide ranging illustration of the potentials of cultural history as a way of

stadtebunde im deutschen spatmittelalter eine rec 2022 - Jul 19 2022

web stadtebunde im deutschen spatmittelalter eine rec vorlesungen über die geschichte des deutschen volkes und reiches austrian historical bibliography die territorien des

städtebund wikipedia - Apr 27 2023

web ein städtebund ist ein verband von zwei oder mehreren städten zur gegenseitigen politischen und oder ökonomischen stärkung städtebünde wurden vorwiegend im 13

städtebund im mittelalter 2 lösungen kreuzworträtsel hilfe - Dec 24 2022

web lösungen für städtebund im mittelalter 2 kreuzworträtsel lösungen im Überblick anzahl der buchstaben sortierung nach länge jetzt kreuzworträtsel lösen

stadtebunde im deutschen spatmittelalter eine rec download - Aug 20 2022

web stadtebunde im deutschen spatmittelalter eine rec jahrbuch für geschichte der oberdeutschen reichsstädte diplomatische strategien der reichsstadt augsburg

stadtebunde im deutschen spatmittelalter eine rec copy - Dec 12 2021

web jul 9 2023 considering this stadtebunde im deutschen spatmittelalter eine rec but stop in the works in harmful
downloads rather than enjoying a fine ebook later than a mug