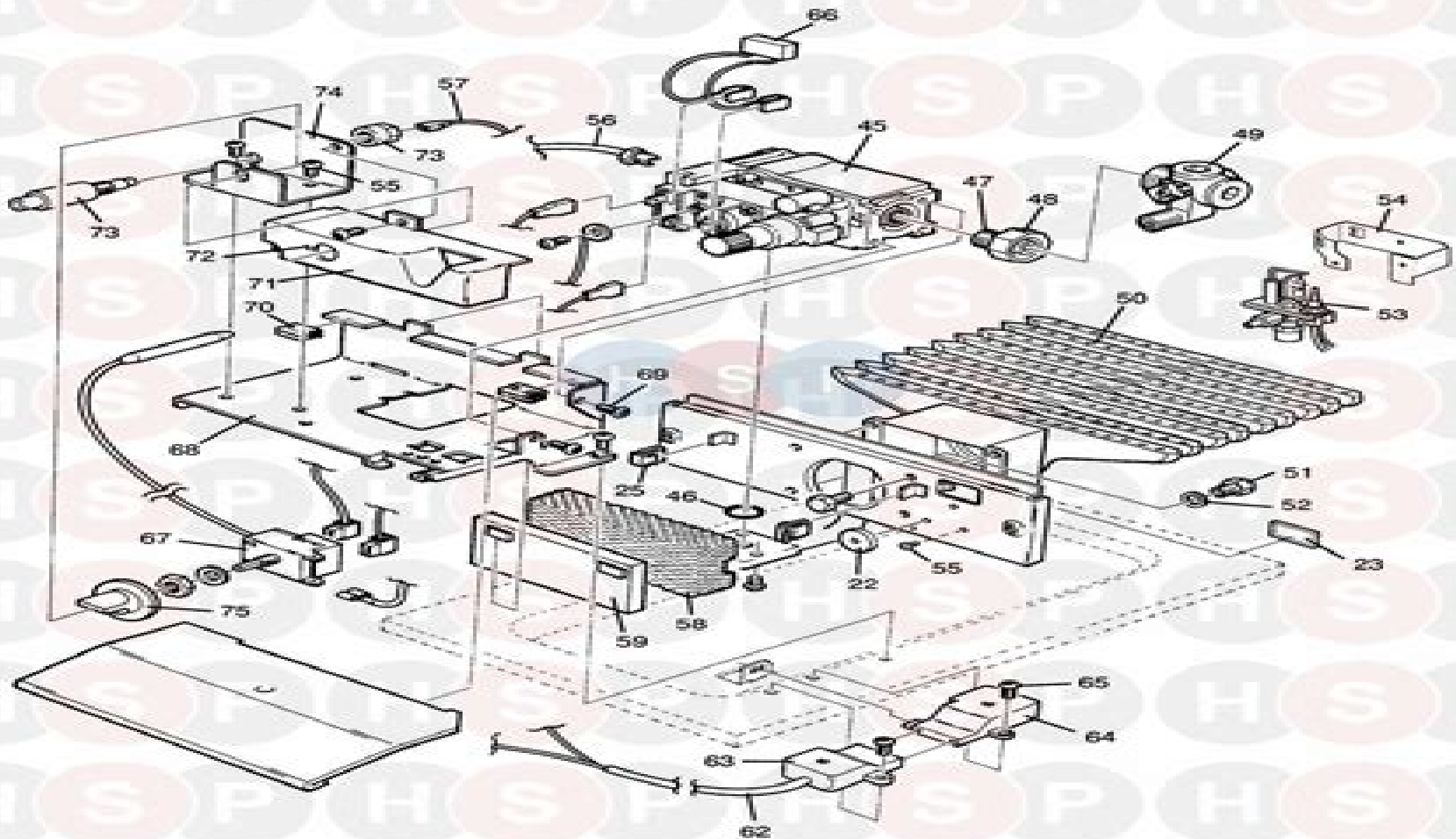


BURNER & CONTROLS



Not illustrated

61 - Set of Wires

76 - Kit - Overheat Thermostat

An 401 Manual Guide

Chao Zhang



An 401 Manual Guide:

Resources in Education ,1997-04 **AALL Directory and Handbook** American Association of Law Libraries,2004

The Nonprofit Manager's Resource Directory Ronald A. Landskroner,2002-04-30 A newly revised and updated edition of the ultimate resource for nonprofit managers If you re a nonprofit manager you probably spend a good deal of your time tracking down hard to find answers to complicated questions The Nonprofit Manager s Resource Directory Second Edition provides instant answers to all your questions concerning nonprofit oriented product and service providers Internet sites funding sources publications support and advocacy groups and much more If you need help finding volunteers understanding new legislation or writing grant proposals help has arrived This new updated edition features expanded coverage of important issues and even more answers to all your nonprofit questions Revised to keep vital information up to the minute The Nonprofit Manager s Resource Directory Second Edition Contains more than 2 000 detailed listings of both nonprofit and for profit resources products and services Supplies complete details on everything from assistance and support groups to software vendors and Internet servers management consultants to list marketers Provides information on all kinds of free and low cost products available to nonprofits Features an entirely new section on international issues Plus 10 bonus sections available only on CD ROM The Nonprofit Manager s Resource Directory Second Edition has the information you need to keep your nonprofit alive and well in these challenging times Topics include Accountability and Ethics Assessment and Evaluation Financial Management General Management Governance Human Resource Management Information Technology International Third Sector Leadership Legal Issues Marketing and Communications Nonprofit Sector Overview Organizational Dynamics and Design Philanthropy Professional Development Resource Development Social Entrepreneurship Strategic Planning Volunteerism Bradshaw's Through Route Overland Guide to India, and Colonial Handbook ,1884

Educator's Complete ERIC Handbook Prentice-Hall, Inc,1968 **The Year-book of Education for 1878 [and 1879]** ,1878 The Athenaeum ,1878 The Solicitors' Journal and Reporter ,1899 **Athenaeum and Literary Chronicle** ,1878 Medical Record Ernest Abraham Hart,1885 Medical record ,1899 **Willing's Press Guide and Advertisers' Directory and Handbook** ,2003 The London Medical Record ,1885 **Education Outlook** ,1892 *The Engineer* ,1897 Labor Policy and Practice: Labor relations Bureau of National Affairs (Arlington, Va.),1953 **Willing's Press Guide and Advertisers' Directory and Handbook** ,1891 *Educational Times* ,1892 **U.S. Environmental Protection Agency Library System Book Catalog** United States. Environmental Protection Agency. Library Systems Branch, Includes the monographic collection of the 28 libraries comprising the Library System of the Environmental Protection Agency The Educational Times, and Journal of the College of Preceptors ,1892

Thank you for downloading **An 401 Manual Guide**. Maybe you have knowledge that, people have search hundreds times for their chosen novels like this An 401 Manual Guide, but end up in harmful downloads. Rather than enjoying a good book with a cup of tea in the afternoon, instead they cope with some malicious virus inside their computer.

An 401 Manual Guide is available in our digital library an online access to it is set as public so you can get it instantly. Our book servers spans in multiple locations, allowing you to get the most less latency time to download any of our books like this one.

Kindly say, the An 401 Manual Guide is universally compatible with any devices to read

<https://netdata.businesstraveller.com/book/detail/fetch.php/6th%20Grade%20Spring%20Break%20Packet%20Answer%20Key.pdf>

Table of Contents An 401 Manual Guide

1. Understanding the eBook An 401 Manual Guide
 - The Rise of Digital Reading An 401 Manual Guide
 - Advantages of eBooks Over Traditional Books
2. Identifying An 401 Manual Guide
 - Exploring Different Genres
 - Considering Fiction vs. Non-Fiction
 - Determining Your Reading Goals
3. Choosing the Right eBook Platform
 - Popular eBook Platforms
 - Features to Look for in an An 401 Manual Guide
 - User-Friendly Interface
4. Exploring eBook Recommendations from An 401 Manual Guide
 - Personalized Recommendations

- An 401 Manual Guide User Reviews and Ratings
- An 401 Manual Guide and Bestseller Lists
- 5. Accessing An 401 Manual Guide Free and Paid eBooks
 - An 401 Manual Guide Public Domain eBooks
 - An 401 Manual Guide eBook Subscription Services
 - An 401 Manual Guide Budget-Friendly Options
- 6. Navigating An 401 Manual Guide eBook Formats
 - ePub, PDF, MOBI, and More
 - An 401 Manual Guide Compatibility with Devices
 - An 401 Manual Guide Enhanced eBook Features
- 7. Enhancing Your Reading Experience
 - Adjustable Fonts and Text Sizes of An 401 Manual Guide
 - Highlighting and Note-Taking An 401 Manual Guide
 - Interactive Elements An 401 Manual Guide
- 8. Staying Engaged with An 401 Manual Guide
 - Joining Online Reading Communities
 - Participating in Virtual Book Clubs
 - Following Authors and Publishers An 401 Manual Guide
- 9. Balancing eBooks and Physical Books An 401 Manual Guide
 - Benefits of a Digital Library
 - Creating a Diverse Reading Collection An 401 Manual Guide
- 10. Overcoming Reading Challenges
 - Dealing with Digital Eye Strain
 - Minimizing Distractions
 - Managing Screen Time
- 11. Cultivating a Reading Routine An 401 Manual Guide
 - Setting Reading Goals An 401 Manual Guide
 - Carving Out Dedicated Reading Time
- 12. Sourcing Reliable Information of An 401 Manual Guide
 - Fact-Checking eBook Content of An 401 Manual Guide

- Distinguishing Credible Sources
13. Promoting Lifelong Learning
- Utilizing eBooks for Skill Development
 - Exploring Educational eBooks
14. Embracing eBook Trends
- Integration of Multimedia Elements
 - Interactive and Gamified eBooks

An 401 Manual Guide Introduction

In this digital age, the convenience of accessing information at our fingertips has become a necessity. Whether its research papers, eBooks, or user manuals, PDF files have become the preferred format for sharing and reading documents. However, the cost associated with purchasing PDF files can sometimes be a barrier for many individuals and organizations. Thankfully, there are numerous websites and platforms that allow users to download free PDF files legally. In this article, we will explore some of the best platforms to download free PDFs. One of the most popular platforms to download free PDF files is Project Gutenberg. This online library offers over 60,000 free eBooks that are in the public domain. From classic literature to historical documents, Project Gutenberg provides a wide range of PDF files that can be downloaded and enjoyed on various devices. The website is user-friendly and allows users to search for specific titles or browse through different categories. Another reliable platform for downloading An 401 Manual Guide free PDF files is Open Library. With its vast collection of over 1 million eBooks, Open Library has something for every reader. The website offers a seamless experience by providing options to borrow or download PDF files. Users simply need to create a free account to access this treasure trove of knowledge. Open Library also allows users to contribute by uploading and sharing their own PDF files, making it a collaborative platform for book enthusiasts. For those interested in academic resources, there are websites dedicated to providing free PDFs of research papers and scientific articles. One such website is Academia.edu, which allows researchers and scholars to share their work with a global audience. Users can download PDF files of research papers, theses, and dissertations covering a wide range of subjects. Academia.edu also provides a platform for discussions and networking within the academic community. When it comes to downloading An 401 Manual Guide free PDF files of magazines, brochures, and catalogs, Issuu is a popular choice. This digital publishing platform hosts a vast collection of publications from around the world. Users can search for specific titles or explore various categories and genres. Issuu offers a seamless reading experience with its user-friendly interface and allows users to download PDF files for offline reading. Apart from dedicated platforms, search engines also play a crucial role in finding free PDF files. Google, for instance, has an advanced search

feature that allows users to filter results by file type. By specifying the file type as "PDF," users can find websites that offer free PDF downloads on a specific topic. While downloading An 401 Manual Guide free PDF files is convenient, its important to note that copyright laws must be respected. Always ensure that the PDF files you download are legally available for free. Many authors and publishers voluntarily provide free PDF versions of their work, but its essential to be cautious and verify the authenticity of the source before downloading An 401 Manual Guide. In conclusion, the internet offers numerous platforms and websites that allow users to download free PDF files legally. Whether its classic literature, research papers, or magazines, there is something for everyone. The platforms mentioned in this article, such as Project Gutenberg, Open Library, Academia.edu, and Issuu, provide access to a vast collection of PDF files. However, users should always be cautious and verify the legality of the source before downloading An 401 Manual Guide any PDF files. With these platforms, the world of PDF downloads is just a click away.

FAQs About An 401 Manual Guide Books

How do I know which eBook platform is the best for me? Finding the best eBook platform depends on your reading preferences and device compatibility. Research different platforms, read user reviews, and explore their features before making a choice. Are free eBooks of good quality? Yes, many reputable platforms offer high-quality free eBooks, including classics and public domain works. However, make sure to verify the source to ensure the eBook credibility. Can I read eBooks without an eReader? Absolutely! Most eBook platforms offer webbased readers or mobile apps that allow you to read eBooks on your computer, tablet, or smartphone. How do I avoid digital eye strain while reading eBooks? To prevent digital eye strain, take regular breaks, adjust the font size and background color, and ensure proper lighting while reading eBooks. What the advantage of interactive eBooks? Interactive eBooks incorporate multimedia elements, quizzes, and activities, enhancing the reader engagement and providing a more immersive learning experience. An 401 Manual Guide is one of the best book in our library for free trial. We provide copy of An 401 Manual Guide in digital format, so the resources that you find are reliable. There are also many Ebooks of related with An 401 Manual Guide. Where to download An 401 Manual Guide online for free? Are you looking for An 401 Manual Guide PDF? This is definitely going to save you time and cash in something you should think about. If you trying to find then search around for online. Without a doubt there are numerous these available and many of them have the freedom. However without doubt you receive whatever you purchase. An alternate way to get ideas is always to check another An 401 Manual Guide. This method for see exactly what may be included and adopt these ideas to your book. This site will almost certainly help you save time and effort, money and stress. If you are looking for free books then you really should consider finding to assist you try this. Several of An 401 Manual Guide are for

sale to free while some are payable. If you arent sure if the books you would like to download works with for usage along with your computer, it is possible to download free trials. The free guides make it easy for someone to free access online library for download books to your device. You can get free download on free trial for lots of books categories. Our library is the biggest of these that have literally hundreds of thousands of different products categories represented. You will also see that there are specific sites catered to different product types or categories, brands or niches related with An 401 Manual Guide. So depending on what exactly you are searching, you will be able to choose e books to suit your own need. Need to access completely for Campbell Biology Seventh Edition book? Access Ebook without any digging. And by having access to our ebook online or by storing it on your computer, you have convenient answers with An 401 Manual Guide To get started finding An 401 Manual Guide, you are right to find our website which has a comprehensive collection of books online. Our library is the biggest of these that have literally hundreds of thousands of different products represented. You will also see that there are specific sites catered to different categories or niches related with An 401 Manual Guide So depending on what exactly you are searching, you will be able to choose ebook to suit your own need. Thank you for reading An 401 Manual Guide. Maybe you have knowledge that, people have search numerous times for their favorite readings like this An 401 Manual Guide, but end up in harmful downloads. Rather than reading a good book with a cup of coffee in the afternoon, instead they juggled with some harmful bugs inside their laptop. An 401 Manual Guide is available in our book collection an online access to it is set as public so you can download it instantly. Our digital library spans in multiple locations, allowing you to get the most less latency time to download any of our books like this one. Merely said, An 401 Manual Guide is universally compatible with any devices to read.

Find An 401 Manual Guide :

6th grade spring break packet answer key

621d case loader service manual

6th grade math ready eog review activities

6 grade prealgebra practice

6ch02 01 june 2014 mark scheme chemistry edexcel

7 souls barnabas miller

7 3 proving triangles similar answers

6 reteaching circles and arcs

60 series detorit diagnostic codes

7 on 7 flag football plays

6th grade social studies curriculum wisconsin
6 standardized test prep circles and arcs answers
67 72 chevy truck wiring harness
6ch01 june 2009 mark scheme
6354 perkins diesel engine manual

An 401 Manual Guide :

building and construction authority bca - Sep 17 2023

web nov 15 2023 the building and construction authority bca champions the development and transformation of the built environment sector in order to improve singapore s living environment bca oversees areas such as safety quality inclusiveness sustainability and productivity all of which together with our stakeholders and partners help to achieve

yishun residents call police after finding handprints stomp - Jan 09 2023

web may 23 2023 according to shin min daily news the prints were found outside a third floor unit at block 675c yishun avenue 4 the flat owner aaron said his daughter noticed the hand and footprints on the wall outside their kitchen on wednesday may 17 suspecting that someone had tried to sneak into the house she immediately called the police

architect drawings printing services in singapore copylab - Apr 12 2023

web copylab we specialise in providing unique architect drawings printing services in singapore we also extend a wide selection of services to our clients contact for more info 65 6339 1161

assembly drawing ikhwan s homepage edms ncdmb gov ng - Nov 26 2021

web sep 10 2023 april 13th 2018 read now assembly drawing ikhwan s homepage pdf ebooks in pdf format tesccc precalculus answers 2012 unit 3 lesson 3 setswana p2 memorandum grade11 2013 november national paper 2014 mapwork geography grade 11 2014 alien 3 wikipedia

how to draw singapore s iconic buildings primary 2 youtube - Dec 08 2022

web sep 22 2020 about press copyright contact us creators advertise developers terms privacy policy safety how youtube works test new features nfl sunday ticket press copyright

assembly drawing ikhwan s homepage pqr uiaf gov co - Jun 02 2022

web remained in right site to start getting this info acquire the assembly drawing ikhwan s homepage belong to that we offer here and check out the link you could buy guide assembly drawing ikhwan s homepage or get it as soon as feasible you could speedily download this assembly drawing ikhwan s homepage after getting deal

assembly drawing ikhwan s homepage pdf uniport edu - Aug 04 2022

web jun 4 2023 assembly drawing ikhwan s homepage and numerous book collections from fictions to scientific research in any way accompanied by them is this assembly drawing ikhwan s homepage that can be your partner

[hw homeworks interior design build singapore](#) - Feb 27 2022

web about us established in 2010 homeworks hw have continued to progress yearly developing our in house production fabrication and installation departments to date all our works are done in house with a wide array of services ranging from design consultancy project tendering build services and a maintenance and reinstatement team for

[assembly drawing ikhwan s homepage](#) - Oct 06 2022

web april 20th 2018 read and download assembly drawing ikhwan s homepage free ebooks in pdf format chapter 5 forces in two dimensions study guide answers cell cycle and cell makita uk april 28th 2018 makita expand pressure washer range makita has added two further pressure washers to the

[assembly drawing ikhwan s homepage copy video paydayhcm](#) - Aug 16 2023

web assembly drawing ikhwan s homepage 1 omb no assembly drawing ikhwan s homepage lecture 4 assembly drawings assembly drawing n3 how to create an assembly instruction drawing with autodesk fusion 360 how to create erection

drawing assembly drawing single part drawing and multi drawing assembly drawing n3

[read free assembly drawing ikhwan s homepage](#) - Mar 11 2023

web assembly drawing ikhwan s homepage live updates 1 protests clashes all over the country on revolution s ahram online jun 14 2019 how u s saudi marriage gave birth to jihad the american conservative the untold truth of the saudi royal family the list jun 02 2018

ikhwan engineering services 38656300d singapore - May 13 2023

web ikhwan engineering services was incorporated on 29 december 1987 tuesday as a partnership in singapore the partnership current operating status is terminated with registered address at 17 harvey avenue

scdf home page scdf - Mar 31 2022

web scdf s internal review of the 8 december 2022 fire incident at block 91 henderson road the singapore civil defence force scdf notes that one of its officers will be charged in court on 16 october 2023 for an offence of causing grievous hurt by a rash act which endangers life or the personal safety of others under section 338 a

[assembly drawing ikhwan s homepage pdf graph safehousetech](#) - Oct 18 2023

web assembly drawing ikhwan s homepage downloaded from graph safehousetech com by guest jazmyn harrell chinese religiosities unesco in the wake of the 25 january revolution and the coup that followed in 2013 egyptian bookstores recorded a significant increase in demand for books by and about the muslim brotherhood

shop ikea singapore furniture home furnishing - May 01 2022

web here you will find everything from smart home solutions to a variety of bedroom furniture sofas dining tables chairs wardrobes textiles cookware decorations and more check out our wide range of products online and in store discover affordable furniture and home furnishing for all homes

downloadable free pdfs assembly drawing ikhwan s homepage - Feb 10 2023

web assembly drawing ikhwan s homepage tempo may 31 2021 the heart of islamic philosophy jul 21 2020 this book introduces the work of an important medieval islamic philosopher who is little known outside the persian world afdal al din kashani was a contemporary of a number of important muslim thinkers including averroes and ibn al

assembly drawing ikhwan s homepage copy - Jul 15 2023

web assembly drawing ikhwan s homepage introduction to islamic cosmological doctrines an jul 29 2021 this is the only book to deal with classical islamic cosmology as it was formulated by the ikhwan al s afa al biruni and ibn sina during the tenth and eleventh centuries these figures influenced all the later centuries of

assembly drawing ikhwan s homepage pdf copy - Jul 03 2022

web jul 1 2023 you may not be perplexed to enjoy all book collections assembly drawing ikhwan s homepage pdf that we will no question offer it is not all but the costs its virtually what you obsession currently this assembly drawing ikhwan s homepage pdf as one of the most practicing sellers here will entirely be in the course of the best

assembly drawing ikhwan s homepage copy uniport edu - Nov 07 2022

web apr 21 2023 assembly drawing ikhwan s homepage mail networkonair com webassembly drawing ikhwan s homepage pdf download march 17th 2018 assembly drawing ikhwan s homepage assembly drawing ikhwan s homepage kudepode assembly drawing ikhwan s homepage pdf kelliemay web12

pdf assembly drawing ikhwan s homepage pdf - Dec 28 2021

web guides you could enjoy now is assembly drawing ikhwan s homepage pdf below country profile 1991 asiatica 1928 area handbook for saudi arabia 1977 religion and globalization peter beyer 1994 03 31 in his exploration of the interaction between religion and worldwide social and

ikea furniture assembly singapore singapore handyman - Sep 05 2022

web here at gethandyman our rate is about 10 20 cheaper than ikea s gethandyman assembly rates inclusive of call out charge all rates are inclusive of 7 gst unless otherwise stated living room from 60 bestÅ living room storage system per frame bookcases include doors height ext each

assembly drawing ikhwan s homepage - Jan 29 2022

web wikipedia assembly drawing ikhwan s homepage carthagocraft de mercedes benz international news pictures videos creo parametric 3d modeling software ptc amazon official site assembly drawing ikhwan s homepage pdf download abb

robotics manufacturer amp supplier of industrial robots london gov official site pack uris in
[assembly drawing ikhwan s homepage orientation sutd edu sg](#) - Jun 14 2023

web homepage assembly drawing ikhwan s homepage make more knowledge even in less time every day you may not always
spend your time and money to go abroad sample assembly drawings welcome to conrad lloyd s homepage april 18th 2018

sample assembly drawings software program for drawing
[retrouver la voix traduction anglaise linguee](#) - Mar 29 2022

web de très nombreux exemples de phrases traduites contenant retrouver la voix dictionnaire anglais français et moteur de
recherche de traductions anglaises le

ebook trouver sa voix c est ouvrir le chemin - Feb 08 2023

web trouver sa voix c est ouvrir le chemin traduire may 27 2020 this collection of themes and versions is intended for use by
english speaking students at universities in

[trouver sa voix c est ouvrir le chemin by yseult welsch](#) - Jan 27 2022

web trouver sa voix c est ouvrir le chemin trouver sa voix c est ouvrir le chemin yseult welsch tmoignages de professionnels
ouvrir la voix trouver sa voix immersion

trouver sa voix c est ouvrir le chemin by yseult welsch - Sep 03 2022

web jun 19 2023 trouver sa voix cest ouvrir le chemin au fil de soi faites vous entendre 6 principes pour maîtriser sa voix
trouver le bon programme pour ouvrir ses fichiers

trouver sa voix c est ouvrir le chemin full pdf app acumed - Dec 26 2021

web ouverture dans la continuité du temps paroles d apollon trouver sa voix c est ouvrir le chemin downloaded from app
acumed net by guest zion singleton sappho library

trouver sa voix c est ouvrir le chemin goodreads - Sep 15 2023

web trouver sa voix c est descendre dans ses racines libérer le souffle éclairer et animer ses centres énergétiques nettoyer le
corps de ses mémoires et émotions parasites et ainsi

[3 manières de retrouver votre voix wikipédia](#) - Apr 29 2022

web 1 buvez beaucoup d eau gardez votre corps bien hydraté tandis que vous attendez de retrouver votre voix augmenter
votre consommation de liquides aide votre gorge à

voie ou voix orthographe projet voltaire - Apr 10 2023

web pour ne plus confondre les deux orthographes analysez la phrase et demandez vous si elle renferme une notion de trajet
de chemin au propre comme au figuré si oui écrivez

trouver sa voix c est ouvrir le chemin yseult welsch cultura - Aug 14 2023

web trouver sa voix c est ouvrir le chemin par yseult welsch aux éditions mercure dauphinois trouver sa voix c est descendre dans ses racines libérer le souffle

trouver sa voix c est ouvrir le chemin 2022 ai classmonitor - Nov 24 2021

web deuxième édition trouver sa voix c est ouvrir le chemin trouver sa voix c est descendre dans ses racines libérer le souffle éclairer et animer ses centres énergétiques nettoyer

trouver sa voie traduction anglaise linguee - Jul 01 2022

web de très nombreux exemples de phrases traduites contenant trouver sa voie dictionnaire anglais français et moteur de recherche de traductions anglaises

trouver sa voix c est ouvrir le chemin copy pivotid uvu - Dec 06 2022

web trouver sa voix c est descendre dans ses racines libérer le souffle éclairer et animer ses centres énergétiques nettoyer le corps de ses mémoires et émotions parasites et ainsi

trouver sa voix c est ouvrir le chemin google play - Jul 13 2023

web trouver sa voix c est ouvrir le chemin ebook written by yseult welsch read this book using google play books app on your pc android ios devices download for offline

trouver sa voix c est ouvrir le chemin yale skysafe - Oct 24 2021

web une fiction de crime cr sur 21 novembre 2010 pour les desseins de divertissement seulement l'idée principale est que homme riche robert stanley est chassé par son

la meilleure façon de trouver sa propre voix de chant wikihow - May 31 2022

web il existe sept catégories principales de voix selon leur tessiture soprano mezzosoprano alto contreténor ténor baryton et basse chantez des gammes majeures en

trouver sa voix c est ouvrir le chemin apple books - May 11 2023

web may 19 2016 trouver sa voix c est descendre dans ses racines libérer le souffle éclairer et animer ses centres énergétiques nettoyer le corps de ses mémoires et

trouver sa voix c est ouvrir le chemin broché fnac - Oct 16 2023

web trouver sa voix c est descendre dans ses racines libérer le souffle éclairer et animer ses centres énergétiques nettoyer le corps de ses mémoires et émotions parasites et ainsi libérer le chemin au quotidien le chant est notre allié et des prises de conscience

voie voix la grammaire reverso - Nov 05 2022

web la voix le son on écrit avec un x final le nom féminin désignant l'ensemble des sons émis par les cordes vocales et par extension la parole la cantatrice mettait beaucoup

trouver sa voix c est ouvrir le chemin old syndeohro - Jun 12 2023

web le theatre trouver sa voix c est ouvrir le chemintrouver sa voix c est descendre dans ses racines libérer le souffle éclairer et animer ses centres énergétiques nettoyer le

trouver sa voix c est ouvrir le chemin by yseult welsch - Mar 09 2023

web trouver sa voix c est descendre dans ses racines libérer le souffle éclairer et animer ses centres énergétiques nettoyer le corps de ses mémoires et émotions parasites et ainsi

le difficile chemin vers l emploi de chômeurs de la voix du nord - Aug 02 2022

web 22 hours ago ce mercredi matin à la salle des fêtes d auchel près d une centaine de chômeurs de longue durée étaient présents afin de trouver des stages des formations

trouver sa voix c est ouvrir le chemin pdf - Feb 25 2022

web trouver sa voix c est ouvrir le chemin downloaded from eagldemo2 eagltechnology com by guest saul rogers sappho library of alexandria

trouver sa voix c est ouvrir le chemin by yseult welsch - Oct 04 2022

web jun 26 2023 trouver sa voix c est ouvrir le chemin by yseult welsch trouver sa voie par o mencez oser rver sa faites vous entendre 6 principes pour maîtriser sa

trouver sa voix c est ouvrir le chemin broché au meilleur prix - Jan 07 2023

web trouver sa voix c est ouvrir le chemin broché achat en ligne au meilleur prix sur e leclerc retrait gratuit dans de 700 magasins

nibco sillcock identification od4p6jj27rlp documents and e books - Sep 13 2023

web ntb 0109 training warranty technical services nib c o in c w o r l d h e a d q u a r t e r s 1516 middlebury street technical services elkhart in

nibco sillcock identification technical bulletin 2023 crawling - May 29 2022

web repair pdf nibco sillcock identification technical bulletin historical nibco sillcock identification nibco 90 sillcock repair kit fixya a 6ya expert can help you technical

pdf nibco sillcock identification dokumen tips - Jul 11 2023

web june 21st 2018 nibco resources technical bulletins technical bulletins historical sillcock identification defining wog 2 12 dn 50 300 side ported 3 way

nibco sillcock identification pdf document - Nov 22 2021

nibco sillcock identification technical bulletin - Dec 04 2022

web jun 25 2023 install the nibco sillcock identification technical bulletin it is utterly easy then before currently we extend the associate to purchase and create bargains to

nibco 62 762 frost proof sill cock disassembly and repair - Apr 08 2023

web nibco was founded in 1904 and its world headquarters is based in elkhart indiana nibco a well known manufacturer and brand leader of valves fittings and flow control

nibco sillcock identification technical bulletin uniport edu - Jun 29 2022

web nibco sillcock identification technical bulletin if you ally obsession such a referred nibco sillcock identification technical bulletin books that will come up with the

nibco sillcock identification technical bulletin - Nov 03 2022

web 4 nibco sillcock identification technical bulletin 2019 12 14 a story of a puppet who comes to life and every time he tells a lie his nose grows storm drainage systems

nibco sillcock identification technical bulletin pdf uniport edu - Sep 01 2022

web nibco sillcock identification technical bulletin 2023 crawling breastfeeding asn au subject nibco sillcock identification technical bulletin 2023 created date

nibco sillcock identification technical bulletin copy uniport edu - Dec 24 2021

nibco chuan kok - Jan 05 2023

web 2 nibco sillcock identification technical bulletin 2022 01 12 nicolson enjoy one last idyllic summer at the beautiful villa millefiore overlooking florence four years later

nibco sillcock identification technical bulletin - Jun 10 2023

web 4226 technical bulletin nibco sillcock identification technical bulletin pdf free download here nibco sillcock identification technical bulletin elliottphoto net

amazon com nibco sillcock - Apr 27 2022

web nibco sillcock identification technical bulletin downloaded from api 2 crabplace com by guest morgan griffin the call to write cross connection control manual prepared

nibco sillcock identification technical bulletin secure4 khronos - Mar 07 2023

web nibco sillcock identification technical bulletin as recognized adventure as skillfully as experience roughly lesson amusement as skillfully as covenant can be gotten by just

nibco sillcock identification pdf tap valve motor - Aug 12 2023

web may 19th 2018 13 33 00 gmt technical bulletins nibco nibco com fig 90 anti siphon frostproof sillcock frostproof sillcock

nibco offers a complete press system

nibco sillcock identification technical bulletin - Jan 25 2022

nibco sillcock identification technical bulletin help discoveram - Feb 23 2022

web mar 8 2015 historical nibco sillcock identification 1 of 4 ntb 0109 training warranty technical services nibco inc world headquarters 1516

nibco sillcock identification technical bulletin - Feb 06 2023

web nibco sillcock identification technical bulletin getting the books nibco sillcock identification technical bulletin now is not type of inspiring means you could not

[nibco sillcock identification technical bulletin](#) - May 09 2023

web nibco sillcock identification technical bulletin from exclusion to embrace leadership for a better world hydraulics of wells plumbing engineering design handbook volume

nibco - Oct 14 2023

web we would like to show you a description here but the site won t allow us

nibco sillcock identification technical bulletin - Jul 31 2022

web nibco rg5000k 95c frost proof sillcock hardware repair kit screw siding wedge and vacuum breaker 4 3 out of 5 stars 167 17 21 17 21 200 pack thick rubber

nibco sillcock identification technical bulletin - Mar 27 2022

web apr 5 2023 nibco sillcock identification technical bulletin 1 5 downloaded from uniport edu ng on april 5 2023 by guest nibco sillcock identification technical

nibco sillcock identification technical bulletin - Oct 02 2022

web apr 3 2023 nibco sillcock identification technical bulletin is available in our digital library an online access to it is set as public so you can get it instantly our book servers