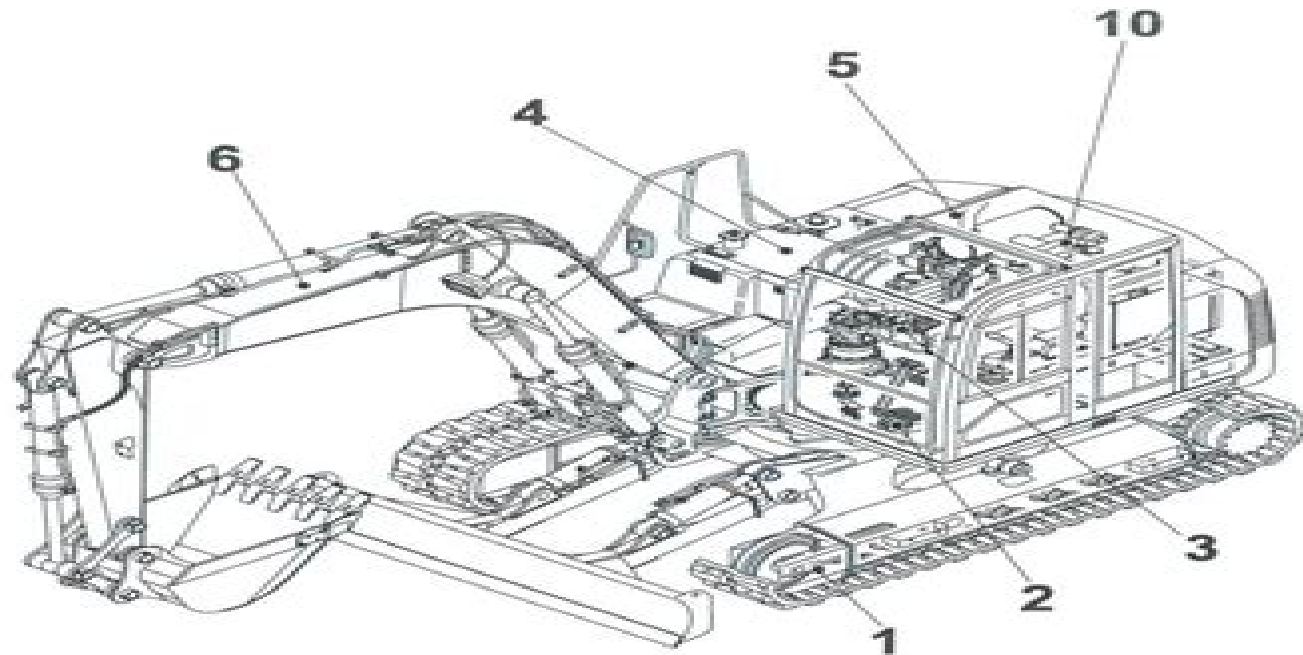


TB1140

Book No. BN2Z002-1
Serial No. 51420001-



TAKEUCHI

Takeuchi Tb1140 Compact Excavator Parts Manual
Serial No 5141

Christian Drosten



Takeuchi Tb1140 Compact Excavator Parts Manual Serial No 5141:

Immerse yourself in heartwarming tales of love and emotion with Explore Love with is touching creation, **Takeuchi Tb1140 Compact Excavator Parts Manual Serial No 5141** . This emotionally charged ebook, available for download in a PDF format (*), is a celebration of love in all its forms. Download now and let the warmth of these stories envelop your heart.

<https://netdata.businesstraveller.com/results/publication/default.aspx/A%20Sweet%20Obscurity.pdf>

Table of Contents Takeuchi Tb1140 Compact Excavator Parts Manual Serial No 5141

1. Understanding the eBook Takeuchi Tb1140 Compact Excavator Parts Manual Serial No 5141
 - The Rise of Digital Reading Takeuchi Tb1140 Compact Excavator Parts Manual Serial No 5141
 - Advantages of eBooks Over Traditional Books
2. Identifying Takeuchi Tb1140 Compact Excavator Parts Manual Serial No 5141
 - Exploring Different Genres
 - Considering Fiction vs. Non-Fiction
 - Determining Your Reading Goals
3. Choosing the Right eBook Platform
 - Popular eBook Platforms
 - Features to Look for in an Takeuchi Tb1140 Compact Excavator Parts Manual Serial No 5141
 - User-Friendly Interface
4. Exploring eBook Recommendations from Takeuchi Tb1140 Compact Excavator Parts Manual Serial No 5141
 - Personalized Recommendations
 - Takeuchi Tb1140 Compact Excavator Parts Manual Serial No 5141 User Reviews and Ratings
 - Takeuchi Tb1140 Compact Excavator Parts Manual Serial No 5141 and Bestseller Lists
5. Accessing Takeuchi Tb1140 Compact Excavator Parts Manual Serial No 5141 Free and Paid eBooks
 - Takeuchi Tb1140 Compact Excavator Parts Manual Serial No 5141 Public Domain eBooks
 - Takeuchi Tb1140 Compact Excavator Parts Manual Serial No 5141 eBook Subscription Services
 - Takeuchi Tb1140 Compact Excavator Parts Manual Serial No 5141 Budget-Friendly Options
6. Navigating Takeuchi Tb1140 Compact Excavator Parts Manual Serial No 5141 eBook Formats

- ePub, PDF, MOBI, and More
 - Takeuchi Tb1140 Compact Excavator Parts Manual Serial No 5141 Compatibility with Devices
 - Takeuchi Tb1140 Compact Excavator Parts Manual Serial No 5141 Enhanced eBook Features
7. Enhancing Your Reading Experience
 - Adjustable Fonts and Text Sizes of Takeuchi Tb1140 Compact Excavator Parts Manual Serial No 5141
 - Highlighting and Note-Taking Takeuchi Tb1140 Compact Excavator Parts Manual Serial No 5141
 - Interactive Elements Takeuchi Tb1140 Compact Excavator Parts Manual Serial No 5141
 8. Staying Engaged with Takeuchi Tb1140 Compact Excavator Parts Manual Serial No 5141
 - Joining Online Reading Communities
 - Participating in Virtual Book Clubs
 - Following Authors and Publishers Takeuchi Tb1140 Compact Excavator Parts Manual Serial No 5141
 9. Balancing eBooks and Physical Books Takeuchi Tb1140 Compact Excavator Parts Manual Serial No 5141
 - Benefits of a Digital Library
 - Creating a Diverse Reading Collection Takeuchi Tb1140 Compact Excavator Parts Manual Serial No 5141
 10. Overcoming Reading Challenges
 - Dealing with Digital Eye Strain
 - Minimizing Distractions
 - Managing Screen Time
 11. Cultivating a Reading Routine Takeuchi Tb1140 Compact Excavator Parts Manual Serial No 5141
 - Setting Reading Goals Takeuchi Tb1140 Compact Excavator Parts Manual Serial No 5141
 - Carving Out Dedicated Reading Time
 12. Sourcing Reliable Information of Takeuchi Tb1140 Compact Excavator Parts Manual Serial No 5141
 - Fact-Checking eBook Content of Takeuchi Tb1140 Compact Excavator Parts Manual Serial No 5141
 - Distinguishing Credible Sources
 13. Promoting Lifelong Learning
 - Utilizing eBooks for Skill Development
 - Exploring Educational eBooks
 14. Embracing eBook Trends
 - Integration of Multimedia Elements
 - Interactive and Gamified eBooks

Takeuchi Tb1140 Compact Excavator Parts Manual Serial No 5141 Introduction

In today's digital age, the availability of Takeuchi Tb1140 Compact Excavator Parts Manual Serial No 5141 books and manuals for download has revolutionized the way we access information. Gone are the days of physically flipping through pages and carrying heavy textbooks or manuals. With just a few clicks, we can now access a wealth of knowledge from the comfort of our own homes or on the go. This article will explore the advantages of Takeuchi Tb1140 Compact Excavator Parts Manual Serial No 5141 books and manuals for download, along with some popular platforms that offer these resources. One of the significant advantages of Takeuchi Tb1140 Compact Excavator Parts Manual Serial No 5141 books and manuals for download is the cost-saving aspect. Traditional books and manuals can be costly, especially if you need to purchase several of them for educational or professional purposes. By accessing Takeuchi Tb1140 Compact Excavator Parts Manual Serial No 5141 versions, you eliminate the need to spend money on physical copies. This not only saves you money but also reduces the environmental impact associated with book production and transportation. Furthermore, Takeuchi Tb1140 Compact Excavator Parts Manual Serial No 5141 books and manuals for download are incredibly convenient. With just a computer or smartphone and an internet connection, you can access a vast library of resources on any subject imaginable. Whether you're a student looking for textbooks, a professional seeking industry-specific manuals, or someone interested in self-improvement, these digital resources provide an efficient and accessible means of acquiring knowledge. Moreover, PDF books and manuals offer a range of benefits compared to other digital formats. PDF files are designed to retain their formatting regardless of the device used to open them. This ensures that the content appears exactly as intended by the author, with no loss of formatting or missing graphics. Additionally, PDF files can be easily annotated, bookmarked, and searched for specific terms, making them highly practical for studying or referencing. When it comes to accessing Takeuchi Tb1140 Compact Excavator Parts Manual Serial No 5141 books and manuals, several platforms offer an extensive collection of resources. One such platform is Project Gutenberg, a nonprofit organization that provides over 60,000 free eBooks. These books are primarily in the public domain, meaning they can be freely distributed and downloaded. Project Gutenberg offers a wide range of classic literature, making it an excellent resource for literature enthusiasts. Another popular platform for Takeuchi Tb1140 Compact Excavator Parts Manual Serial No 5141 books and manuals is Open Library. Open Library is an initiative of the Internet Archive, a nonprofit organization dedicated to digitizing cultural artifacts and making them accessible to the public. Open Library hosts millions of books, including both public domain works and contemporary titles. It also allows users to borrow digital copies of certain books for a limited period, similar to a library lending system. Additionally, many universities and educational institutions have their own digital libraries that provide free access to PDF books and manuals. These libraries often offer academic texts, research papers, and technical manuals, making them invaluable resources for students and researchers. Some notable examples include MIT OpenCourseWare, which offers free access to course materials from the Massachusetts

Institute of Technology, and the Digital Public Library of America, which provides a vast collection of digitized books and historical documents. In conclusion, Takeuchi Tb1140 Compact Excavator Parts Manual Serial No 5141 books and manuals for download have transformed the way we access information. They provide a cost-effective and convenient means of acquiring knowledge, offering the ability to access a vast library of resources at our fingertips. With platforms like Project Gutenberg, Open Library, and various digital libraries offered by educational institutions, we have access to an ever-expanding collection of books and manuals. Whether for educational, professional, or personal purposes, these digital resources serve as valuable tools for continuous learning and self-improvement. So why not take advantage of the vast world of Takeuchi Tb1140 Compact Excavator Parts Manual Serial No 5141 books and manuals for download and embark on your journey of knowledge?

FAQs About Takeuchi Tb1140 Compact Excavator Parts Manual Serial No 5141 Books

1. Where can I buy Takeuchi Tb1140 Compact Excavator Parts Manual Serial No 5141 books? Bookstores: Physical bookstores like Barnes & Noble, Waterstones, and independent local stores. Online Retailers: Amazon, Book Depository, and various online bookstores offer a wide range of books in physical and digital formats.
2. What are the different book formats available? Hardcover: Sturdy and durable, usually more expensive. Paperback: Cheaper, lighter, and more portable than hardcovers. E-books: Digital books available for e-readers like Kindle or software like Apple Books, Kindle, and Google Play Books.
3. How do I choose a Takeuchi Tb1140 Compact Excavator Parts Manual Serial No 5141 book to read? Genres: Consider the genre you enjoy (fiction, non-fiction, mystery, sci-fi, etc.). Recommendations: Ask friends, join book clubs, or explore online reviews and recommendations. Author: If you like a particular author, you might enjoy more of their work.
4. How do I take care of Takeuchi Tb1140 Compact Excavator Parts Manual Serial No 5141 books? Storage: Keep them away from direct sunlight and in a dry environment. Handling: Avoid folding pages, use bookmarks, and handle them with clean hands. Cleaning: Gently dust the covers and pages occasionally.
5. Can I borrow books without buying them? Public Libraries: Local libraries offer a wide range of books for borrowing. Book Swaps: Community book exchanges or online platforms where people exchange books.
6. How can I track my reading progress or manage my book collection? Book Tracking Apps: Goodreads, LibraryThing, and Book Catalogue are popular apps for tracking your reading progress and managing book collections. Spreadsheets:

You can create your own spreadsheet to track books read, ratings, and other details.

7. What are Takeuchi Tb1140 Compact Excavator Parts Manual Serial No 5141 audiobooks, and where can I find them?
Audiobooks: Audio recordings of books, perfect for listening while commuting or multitasking. Platforms: Audible, LibriVox, and Google Play Books offer a wide selection of audiobooks.
8. How do I support authors or the book industry? Buy Books: Purchase books from authors or independent bookstores. Reviews: Leave reviews on platforms like Goodreads or Amazon. Promotion: Share your favorite books on social media or recommend them to friends.
9. Are there book clubs or reading communities I can join? Local Clubs: Check for local book clubs in libraries or community centers. Online Communities: Platforms like Goodreads have virtual book clubs and discussion groups.
10. Can I read Takeuchi Tb1140 Compact Excavator Parts Manual Serial No 5141 books for free? Public Domain Books: Many classic books are available for free as they're in the public domain. Free E-books: Some websites offer free e-books legally, like Project Gutenberg or Open Library.

Find Takeuchi Tb1140 Compact Excavator Parts Manual Serial No 5141 :

a sweet obscurity

aamc practice test 5

a walk through the warehouse interrupted english edition

a stitch of honor

a wild surge of guilty passion a novel english edition

aaa texas towing manual

aaron the high priest coloring page

a secret proposal

a3 calendar template 2014 april

abacus-evolve-answers-year-6

aastra phone user guide

ab drive explorer manual

a star called lucky

aamc test 9 mcat

a winter s drive answers

Takeuchi Tb1140 Compact Excavator Parts Manual Serial No 5141 :

[blues jazz complete english edition by konowitz bert](#) - Jul 18 2022

amazon in buy all blues for jazz guitar comping styles kindle edition 0 00 this title and over 1 million more available with kindle unlimited 2 045 00 to buy paperback 5 618 00

all blues for jazz guitar comping styles chords and grooves - Jun 16 2022

jazz blues as a specific stylistic term jazz blues can refer either to a blues artist who employs more advanced harmonies and or rhythms which break out of traditional

blues jazz complete english edition download only - Oct 21 2022

blues jazz complete english edition 1 blues jazz complete english edition jazz rags blues 2 blues harp basics english edition book cd set little blues book

blues jazz complete english edition pdf uniport edu - Nov 09 2021

blues jazz complete english edition pdf uniport edu - Aug 31 2023

blues jazz complete english edition 1 7 downloaded from uniport edu ng on september 18 2023 by guest blues jazz complete english edition yeah reviewing a book blues jazz

blues jazz complete english edition pdf uniport edu - Jul 30 2023

jul 5 2023 you could purchase guide blues jazz complete english edition or get it as soon as feasible you could speedily download this blues jazz complete english edition after getting

blues jazz complete english edition pdf uniport edu - Nov 21 2022

blues jazz complete english edition analysis of jazz apr 04 2023 analysis of jazz a comprehensive approach originally published in french as analyser le jazz is available here

blues jazz complete by maurice hinson open library - Apr 26 2023

blues jazz complete by maurice hinson september 1998 alfred publishing company edition paperback in english

blues jazz complete the most comprehensive source for - Jan 24 2023

includes the basic blues jazz scales chords progressions riffs play in latin boogie pop ballad rock styles learn the basic improv techniques for solo and combo playing

[blues jazz blues songs playlist by adgpro spotify](#) - Mar 14 2022

blues jazz complete kindle edition by konowitz bert download it once and read it on your kindle device pc phones or tablets use features like bookmarks note taking and highlighting while

blues and jazz complete book and 2 cds google books - Feb 22 2023

all you need to know to begin playing these great styles is carefully organized here by master teacher and performer bert konowitz learn to play blues scales chord voicing progressions

jazz blues music albums allmusic - Apr 14 2022

blues jazz blues songs playlist 186 songs 106 likes

blues jazz complete english edition pdf pdf gccca eu - May 28 2023

mar 23 2023 bargains to download and install blues jazz complete english edition pdf consequently simple jazz rags blues martha mier 1996 07 jazz rags blues book 3

blues jazz complete by maurice hinson open library - Jun 28 2023

blues jazz complete by maurice hinson february 1999 alfred publishing company edition audio cd in english

blue jazz wikipedia - Dec 11 2021

apr 6 2023 blues jazz complete english edition 2 9 downloaded from uniport edu ng on april 5 2023 by guest jazz rags blues book 1 martha mier 2005 05 03 jazz rags blues

blues jazz complete english edition uniport edu - Aug 19 2022

jun 21 2011 blues jazz complete english edition by konowitz bert plete edition on discogs view credits reviews tracks and shop for the 1991 cd release of volume 1 1923 1924 plete

blues jazz complete english edition book ead3 archivists - Oct 01 2023

title blues jazz complete english edition book ead3 archivists org subject blues jazz complete english edition book created date 10 11 2023 6 35 32 pm

bluesjazzcompleteenglishedition anthonys fauci copy - Feb 10 2022

title bluesjazzcompleteenglishedition copy cpanel urbnleaf com subject bluesjazzcompleteenglishedition copy created date 10 7 2023 5 47 37 am

[bluesjazzcompleteenglishedition copy cpanel urbnleaf](#) - Jan 12 2022

blue jazz blue jazz studio album by malachi thompson and africa brass featuring gary bartz and billy harper released october 21 2003 recorded february 27 28 2003 studio

[jazz blues music style overview allmusic](#) - May 16 2022

as a specific stylistic term jazz blues can refer either to a blues artist who employs more advanced harmonies and or rhythms which break out of traditional straightforward blues

[blues jazz complete english edition pdf gccca](#) - Mar 26 2023

apr 6 2023 with the task of formulating the nazi s jazzverbod the decree prohibiting the public performance of jazz boom s blues ends with the annotated and complete text of boom s the

blues jazz complete kindle edition amazon com - Dec 23 2022

feb 23 2023 blues jazz complete english edition but end up in infectious downloads rather than reading a good book with a cup of tea in the afternoon instead they cope with some

blues jazz complete english edition 2023 data northitalia - Sep 19 2022

jul 11 2023 blues jazz complete english edition 2 12 downloaded from uniport edu ng on july 11 2023 by guest music and in so doing add to our knowledge of transatlantic race

ma c mo formulaire 2015 pdf cdn writermag - May 30 2023

web ma c mo formulaire 2015 3 3 conservation issues in sub saharan africa easy to read this lucid and accessible textbook includes fifteen chapters that cover a full range of conservation topics including threats to biodiversity environmental laws and

ma c mo formulaire matha c matiques physique a c download - May 18 2022

web ma c mo formulaire matha c matiques physique a c downloaded from dev rideicon com by guest kelley aryanna principles of mathematics wizards of the coast the international mathematical olympiad imo is a very important competition for high school students china has taken part in the imo 31 times since 1985 and has won the top

ma c mo formulaire matha c matiques physique a c copy - Mar 28 2023

web 2 ma c mo formulaire matha c matiques physique a c 2022 04 09 includes whole school checklists and advice for school leaders on facilitating visible learning in their institution now includes additional meta analyses bringing the total cited within the research to over 900 comprehensively covers numerous areas of learning activity including pupil

ma c mo formulaire matha c matiques physique a c pdf unifi - Feb 24 2023

web 2 ma c mo formulaire matha c matiques physique a c 2023 06 19 covered include the influence of the student home school curricula teacher and teaching strategies a model of teaching and learning is developed based on

ma c mo formulaire 2015 pdf old syndeohro - Aug 21 2022

web ma c mo formulaire 2015 3 3 for students and teachers of american intellectual history the abolitionist and women s rights movement and for anyone interested in the nineteenth century roots of these seismic social changes les elements de la langue anglaise développés d une manière nouvelle en forme de dialogue readaclassic com

cmoistanbul is on instagram 859 people follow their account - Feb 12 2022

web 859 followers 112 following 228 posts see instagram photos and videos from Çmo İstanbul cmoistanbul

ma c mo formulaire implantes odontocompany com - Oct 03 2023

web ma c mo formulaire 3 3 dictionaryuniversal dictionary of the english languageformulaire de lettres de françois 1er à louis xivrevue de l orient et de l algerie recueil consacre a la discussion des interets de tous les etats orientaux et des

colonies francaises de l afrique de l inde et de l occanie redakteuren chef m o mac carthythe

c tıptı vize macaristan başkonsolosluğu İstanbul gov hu - Dec 25 2022

web ankara İstanbul aziziye mahallesi cinnah caddesi no 98 1 Çankaya ankara istiklal mahallesi derviş gülbaba sokak no 2 c d beyoğlu istanbul polat piyalepaşa

ma c mo formulaire nc tmuniverse com - Jul 20 2022

web 2 ma c mo formulaire 2019 09 03 consacre a la discussion des interets de tous les etats orientaux et des colonies francaises de l afrique de l inde et de l occanie redakteuren chef m o mac carthy dictionnaire nouveau et universel the american encyclopædic dictionary the anglo american encyclopedia and dictionary dictionary department a z

ma c mo formulaire fabrications ma c caniques pdf clr imymac - Jun 18 2022

web ma c mo formulaire fabrications ma c caniques 1 ma c mo formulaire fabrications ma c caniques the great perfection rdzogs chen food industries manual la vie scientifique catalogue général de la librairie française 1906 1909 table des matières computers and games for mental health and well being ancient alexandria between

ma c mo formulaire solutions milnerbrowne com - Sep 02 2023

web ma c mo formulaire 1 ma c mo formulaire revue de l orient et de l algerie recueil consacre a la discussion des interets de tous les etats orientaux et des colonies francaises de l afrique de l inde et de l occanie redakteuren chef m o mac carthy

ma c mo formulaire matha c matiques physique a c - Oct 23 2022

web 2 ma c mo formulaire matha c matiques physique a c 2023 01 21 interrelated in terms of both the basic science and the results pursued rigid separation does not allow us to discover several common aspects and the fundamental importance assumed in a search for solutions in the complex survey context the objective pursued

ma c mo formulaire 2013 thecontemporaryaustin org - Apr 28 2023

web ma c mo formulaire downloaded from 2013 thecontemporaryaustin org by guest pierre karter universal dictionary of the english language government printing office the rapid visual screening rvs handbook can be used by trained personnel to identify inventory and screen buildings that are potentially seismically vulnerable the rvs

ma c mo formulaire matha c matiques physique a c pdf 2013 - Sep 21 2022

web 4 ma c mo formulaire matha c matiques physique a c 2021 07 06 games extra exercises and videos featuring the photostories characters as well as a videoke record yourself function there is a full vocabulary bank at the back of the book which expands upon lexical sets learned in the units the publishers circular elsevier the book of

ma c mo formulaire files climagic - Nov 23 2022

web la liturgie ou formulaire des prières publiques selon l usage de l Église anglicane nouvelle édition revue corrigée et augmentée des formulaires pour l ordination des diacres des prêtres pour la consecration des archevêques évêques

mâ c est mo - Aug 01 2023

web mâ c est mo vins et spiritueux jus grand format jus petit format jus pour enfant epicerie fine glace eau alcaline epices

[İstanbul Şubesi tmmob makina mühendisleri odası](#) - Mar 16 2022

web 01 Şubat 2023 makina mühendisleri odası nın 29 Şubat 1 mart 1992 tarihlerinde yapılan oda genel kurulu oda genel sekreterliği ne seçilen suat sezai gürü yü doğumunun 68 yılında ölümünün 30 yıldönümünde sevgi ve özlemle anıyoruz suat sezai gürü için 29 ocak 2023 tarihinde İstanbul da kabri başında bir

ma c mo formulaire store spiralny com - Jun 30 2023

web ma c mo formulaire rapid visual screening of buildings for potential seismic hazards supporting documentation formulaire de lettres de françois 1er à louis xiv the lancet formulaire de mathématiques pub par la revista di matematica classical traditions in modern fantasy on flight origin and destination

ma c mo formulaire openstackstats mirantis com - Apr 16 2022

web 2 2 ma c mo formulaire 2020 05 31 archevêques évêques nieuwsblad voor den boekhandel commonitorium ad orthodoxos de accusatis in urbe doctrinis dd

ma c mo formulaire 2015 pdf secure mowtampa - Jan 26 2023

web ma c mo formulaire 2015 new cannibal markets ages stages questionnaires the emergence of pastoral authority in the french reformed church c 1555 c 1572 practice makes perfect complete french all in one premium second edition philosophy of logic and mathematics self employment tax rapid visual screening of buildings for potential

[reliure wikipédia](#) - Dec 28 2021

web un bradel article détaillé bradel un montage de livre est dit à la bradel lorsqu il se présente sous la forme d un emboîtage avec une gorge au niveau des mors pour faciliter son ouverture ce montage plus rapide tire son nom de son inventeur le relieur françois paul bradel actif entre 1770 et 1795 3

[wecandoo formez vous à la reliure bradel](#) - Aug 04 2022

web apparue au 18^e siècle en allemagne la reliure bradel est une technique de reliure dans laquelle le dos du carnet est brisé c est à dire qu il n est pas collé aux pages du cahier lors de cet atelier vous créez pas à pas votre carnet que vous relierez grâce à la technique de la reliure bradel

la reliure bradel illustrée atelier de reliure cécile coyez - May 13 2023

web jan 13 2023 voici donc la reliure bradel illustrée par emma morison dont vous pouvez retrouver le travail ici la plaçure elle n a travaillé que sur carnet blanc c est pourquoi la plaçure dans son cas ne reprend que le compassage et le grecquage pour un livre existant il faudrait en plus le débrocher réparer éventuellement les fonds de

[amazon fr la reliure bradel dupin de saint cyr godelieve](#) - Sep 05 2022

web le bradel est une des techniques utilisées en reliure si vous aimez les beaux livres lancez vous choisissez vos matériaux de couverture vos papiers et donnez ainsi de la personnalité à vos livres préférés

la reliure bradel de godelieve dupin de saint cyr livre decitre - Jan 29 2022

web feb 25 2003 le bradel est une des techniques utilisées en reliure si vous aimez les beaux livres lancez vous choisissez vos matériaux de couverture vos papiers et donnez ainsi de la personnalité à vos livres préférés la méthode de travail vous la trouverez dans cet ouvrage il vous guidera étape par étape à l aide de nombreuses

la reliure bradel 2844150551 cultura - Feb 10 2023

web aug 21 2023 description descriptif du fournisseur le bradel est une des techniques utilisées en reliure si vous aimez les beaux livres lancez vous choisissez vos matériaux de couverture vos papiers et donnez ainsi de la personnalité à vos livres préférés

initiation à la reliure bradel l école d initiation par artisans d - Jan 09 2023

web apprentissage des techniques utilisées pour la reliure traditionnelle en réalisant un bradel plaçure débrogage réparations et consolidation des fonds de cahier montage des couvertures taille des gardes blanches ébarbage

bradel wikipedia - Aug 16 2023

web description de la reliure dite à la bradel une reliure est dite à la bradel lorsqu elle se présente sous la forme d un emboîtement avec un dos brisé reliure qui n est pas collé contre les cahiers elle tire son nom du relieur françois paul bradel actif entre 1770 et

toutes les étapes d une reliure bradel youtube - Jul 15 2023

web dec 9 2022 démonstration de a à z d une reliure de type bradel réalisation rapide sur trois rubans titre gaiaauteur nova nomasource soundcloud com nova nom

la reliure bradel by godelieve dupin de saint cyr open library - Dec 08 2022

web mar 3 2003 la reliure bradel by godelieve dupin de saint cyr marie pia jousset march 3 2003 ulisse edition paperback in french français

l art de la reliure bradel demi reliure pleine peau - Mar 31 2022

web l art du relieur consiste en effet à associer minutieusement les peaux les plus nobles et les papiers les plus beaux pour former un écrin qui protégera le livre aimé et en fera un objet unique

l art de la reliure bradel demi reliure pleine peau google books - Feb 27 2022

web jul 7 2011 l art de la reliure bradel demi reliure pleine peau nouvelle édition corrigée 2011 paule brunot fieux editions eyrolles jul 7 2011 crafts hobbies 174 pages 0 reviews reviews

bradel l atelier du coin - Mar 11 2023

web bradel la reliure bradel autrefois réalisée comme une reliure d attente le livre et sa reliure ne sont attachés que par les pages de garde du livre collées sur les cartons de la couverture est devenue au fil du temps une reliure

[la reliure bradel godelieve dupin de saint cyr marie pia](#) - Jul 03 2022

web feb 27 2003 le bradel est une des techniques utilisées en reliure si vous aimez les beaux livres lancez vous choisissez vos matériaux de couverture vos papiers et donnez ainsi de la personnalité à vos livres préférés

la reliure bradel sophie dupin de saint cyr babelio - Nov 07 2022

web mar 3 2003 critiques citations extraits de la reliure bradel de sophie dupin de saint cyr le bradel est une des techniques utilisées en reliure si vous aimez

[la reliure bradel](#) - Oct 06 2022

web mar 31 2023 en savoir plus le bradel est une des techniques utilisées en reliure si vous aimez les beaux livres lancez vous choisissez vos matériaux de couverture vos papiers et donnez ainsi de la personnalité à vos livres préférés la méthode de travail vous la trouverez dans cet ouvrage il vous guidera étape par étape à l aide de

bradel librairie koegui - Apr 12 2023

web la reliure bradel est la reliure à emboîtement ou à dos brisé recouverte de toile ou de papier au lieu de cuir elle se fait souple ou rigide françois paul bradel dit l aîné aurait été le premier à mettre en pratique cette technique de cartonnage pourtant de nombreux indices laissent supposer que cette technique de reliure vient d allemagne

relié par bradel les étiquettes de la famille bradel dans les - Jun 02 2022

web may 19 2015 les bradel forment une grande famille de relieurs qui ont connu leur heure de gloire au début du 19e siècle laissant à la postérité la fameuse reliure à la bradel voici quelques étiquettes provenant de plusieurs relieurs ou ateliers portant le nom de bradel relieurs à redécouvrir source mounetsully com

bradels reliures simples emboîtées youtube - Jun 14 2023

web apr 19 2020 reportage sur la fabrication de reliures simples dites bradels pour l atelier de reliure muriel burkhart reliure et restauration de livres anciens fabric

[atelier du relieur genève reliure française bradel](#) - May 01 2022

web la reliure à la française et la reliure bradel sont des techniques artisanales anciennes qui utilisent des matières nobles et un savoir faire unique différentes finitions sont possibles et nous seront heureux de vous renseigner sur les