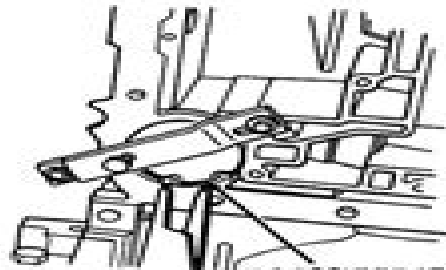


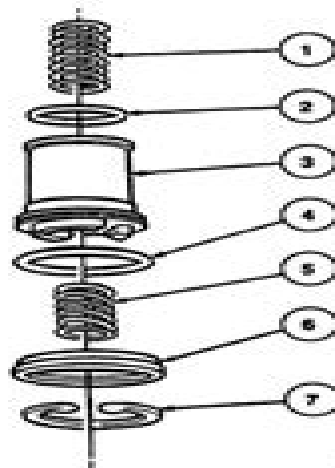
IN-VEHICLE SERVICE (Continued)

1-2 Accumulator Cover

1-2 ACCUMULATOR
PISTON RETAINING
RING 97632

D14008-A

1-2 Accumulator



D10175-B

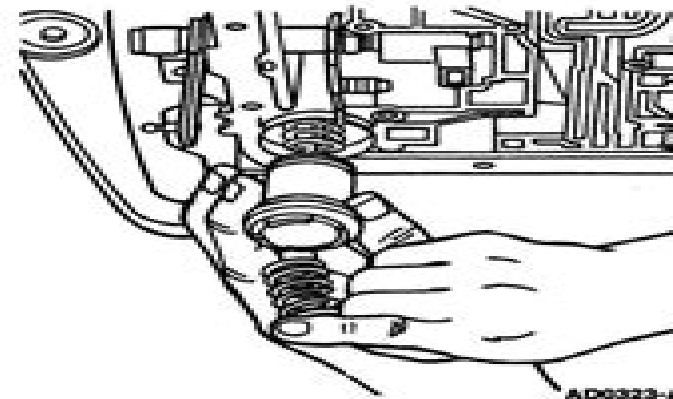
Item	Part Number	Description
1	7F264	1-2 Accumulator Spring
2	7F248	Accumulator Piston Seal
3	7F251	Accumulator Piston
4	7F249	Lower Accumulator Seal

(Continued)

Item	Part Number	Description
5	7F264	1-2 Accumulator Spring
6	7G300	Cover and Seal Assy
7	7384	Accumulator Piston Retaining Ring

9. **NOTE:** Carefully note the location of the 1-2 accumulator spring and assemble in the same positions. Some models may use two 1-2 accumulator springs. The accumulator piston may also vary with applications.

Remove accumulator piston and 1-2 accumulator spring.



AD0323-A

Installation

1. **NOTE:** This is not an ordinary installation procedure and does not compensate for band wear.

Install reverse band servo spring, reverse band servo piston and rod. When piston and rod assembly replacement becomes necessary, or when the reverse band has been replaced, determine the correct length of the reverse servo piston and rod, proceed as follows:

- Lubricate the reverse piston seal to facilitate assembly and to prevent damage to the seal.
- Install the reverse servo piston and return spring. Do not install the piston cover or retaining ring.

97 Mustang Service Manual

Katrin Zwirgmaier



97 Mustang Service Manual:

WALNECK'S CLASSIC CYCLE TRADER, NOVEMBER 1997 Causey Enterprises, LLC, **New Serial Titles**, 1997 A union list of serials commencing publication after Dec 31 1949 **Chilton's Auto Repair Manual**, 1964 Each edition includes information for that year and several previous years *Chilton's Auto Repair Manual 1989-1993*, 1992-10 Documents specifications repairs and servicing procedures for individual models and provides information on component repair and overhaul **Chilton's Auto Service Manual**, 2002 *American Book Publishing Record*, 1999 **Ford Mustang Service Manual, 1997** Ford Motor Company. Technical Service Support Operations, 1996 *Motor Auto Repair Manual*, 1984 Spine title Motor auto repair Provides specific instructions for the repair of cars built from 1979 to 1985 *Subject Guide to Books in Print*, 2001 **Monthly Catalogue, United States Public Documents**, 1991 **Monthly Catalog of United States Government Publications**, 1991 *Cars & Parts*, 2000 **National Union Catalog, 1982**, 1983 **Catalog of Copyright Entries. Third Series** Library of Congress. Copyright Office, 1974 **Forthcoming Books** Rose Army, 2002-04 *Subject Guide to Children's Books in Print 1997* Bowker Editorial Staff, R R Bowker Publishing, 1996-09 National Union Catalog, 1983 Includes entries for maps and atlases *Books and Pamphlets, Including Serials and Contributions to Periodicals* Library of Congress. Copyright Office, 1974 Car and Driver, 1995 *Construction Methods*, 1955

Decoding **97 Mustang Service Manual**: Revealing the Captivating Potential of Verbal Expression

In a period characterized by interconnectedness and an insatiable thirst for knowledge, the captivating potential of verbal expression has emerged as a formidable force. Its ability to evoke sentiments, stimulate introspection, and incite profound transformations is genuinely awe-inspiring. Within the pages of "**97 Mustang Service Manual**," a mesmerizing literary creation penned by way of a celebrated wordsmith, readers attempt an enlightening odyssey, unraveling the intricate significance of language and its enduring effect on our lives. In this appraisal, we shall explore the book's central themes, evaluate its distinctive writing style, and gauge its pervasive influence on the hearts and minds of its readership.

https://netdata.businesstraveller.com/About/book-search/Download_PDFS/Sell%20Used%20Paperback%20Books.pdf

Table of Contents 97 Mustang Service Manual

1. Understanding the eBook 97 Mustang Service Manual
 - The Rise of Digital Reading 97 Mustang Service Manual
 - Advantages of eBooks Over Traditional Books
2. Identifying 97 Mustang Service Manual
 - Exploring Different Genres
 - Considering Fiction vs. Non-Fiction
 - Determining Your Reading Goals
3. Choosing the Right eBook Platform
 - Popular eBook Platforms
 - Features to Look for in an 97 Mustang Service Manual
 - User-Friendly Interface
4. Exploring eBook Recommendations from 97 Mustang Service Manual
 - Personalized Recommendations
 - 97 Mustang Service Manual User Reviews and Ratings
 - 97 Mustang Service Manual and Bestseller Lists

-
5. Accessing 97 Mustang Service Manual Free and Paid eBooks
 - 97 Mustang Service Manual Public Domain eBooks
 - 97 Mustang Service Manual eBook Subscription Services
 - 97 Mustang Service Manual Budget-Friendly Options
 6. Navigating 97 Mustang Service Manual eBook Formats
 - ePub, PDF, MOBI, and More
 - 97 Mustang Service Manual Compatibility with Devices
 - 97 Mustang Service Manual Enhanced eBook Features
 7. Enhancing Your Reading Experience
 - Adjustable Fonts and Text Sizes of 97 Mustang Service Manual
 - Highlighting and Note-Taking 97 Mustang Service Manual
 - Interactive Elements 97 Mustang Service Manual
 8. Staying Engaged with 97 Mustang Service Manual
 - Joining Online Reading Communities
 - Participating in Virtual Book Clubs
 - Following Authors and Publishers 97 Mustang Service Manual
 9. Balancing eBooks and Physical Books 97 Mustang Service Manual
 - Benefits of a Digital Library
 - Creating a Diverse Reading Collection 97 Mustang Service Manual
 10. Overcoming Reading Challenges
 - Dealing with Digital Eye Strain
 - Minimizing Distractions
 - Managing Screen Time
 11. Cultivating a Reading Routine 97 Mustang Service Manual
 - Setting Reading Goals 97 Mustang Service Manual
 - Carving Out Dedicated Reading Time
 12. Sourcing Reliable Information of 97 Mustang Service Manual
 - Fact-Checking eBook Content of 97 Mustang Service Manual
 - Distinguishing Credible Sources
 13. Promoting Lifelong Learning

- Utilizing eBooks for Skill Development
 - Exploring Educational eBooks
14. Embracing eBook Trends
- Integration of Multimedia Elements
 - Interactive and Gamified eBooks

97 Mustang Service Manual Introduction

In the digital age, access to information has become easier than ever before. The ability to download 97 Mustang Service Manual has revolutionized the way we consume written content. Whether you are a student looking for course material, an avid reader searching for your next favorite book, or a professional seeking research papers, the option to download 97 Mustang Service Manual has opened up a world of possibilities. Downloading 97 Mustang Service Manual provides numerous advantages over physical copies of books and documents. Firstly, it is incredibly convenient. Gone are the days of carrying around heavy textbooks or bulky folders filled with papers. With the click of a button, you can gain immediate access to valuable resources on any device. This convenience allows for efficient studying, researching, and reading on the go. Moreover, the cost-effective nature of downloading 97 Mustang Service Manual has democratized knowledge. Traditional books and academic journals can be expensive, making it difficult for individuals with limited financial resources to access information. By offering free PDF downloads, publishers and authors are enabling a wider audience to benefit from their work. This inclusivity promotes equal opportunities for learning and personal growth. There are numerous websites and platforms where individuals can download 97 Mustang Service Manual. These websites range from academic databases offering research papers and journals to online libraries with an expansive collection of books from various genres. Many authors and publishers also upload their work to specific websites, granting readers access to their content without any charge. These platforms not only provide access to existing literature but also serve as an excellent platform for undiscovered authors to share their work with the world. However, it is essential to be cautious while downloading 97 Mustang Service Manual. Some websites may offer pirated or illegally obtained copies of copyrighted material. Engaging in such activities not only violates copyright laws but also undermines the efforts of authors, publishers, and researchers. To ensure ethical downloading, it is advisable to utilize reputable websites that prioritize the legal distribution of content. When downloading 97 Mustang Service Manual, users should also consider the potential security risks associated with online platforms. Malicious actors may exploit vulnerabilities in unprotected websites to distribute malware or steal personal information. To protect themselves, individuals should ensure their devices have reliable antivirus software installed and validate the legitimacy of the websites they are downloading from. In conclusion, the ability to download 97 Mustang Service

Manual has transformed the way we access information. With the convenience, cost-effectiveness, and accessibility it offers, free PDF downloads have become a popular choice for students, researchers, and book lovers worldwide. However, it is crucial to engage in ethical downloading practices and prioritize personal security when utilizing online platforms. By doing so, individuals can make the most of the vast array of free PDF resources available and embark on a journey of continuous learning and intellectual growth.

FAQs About 97 Mustang Service Manual Books

How do I know which eBook platform is the best for me? Finding the best eBook platform depends on your reading preferences and device compatibility. Research different platforms, read user reviews, and explore their features before making a choice. Are free eBooks of good quality? Yes, many reputable platforms offer high-quality free eBooks, including classics and public domain works. However, make sure to verify the source to ensure the eBook credibility. Can I read eBooks without an eReader? Absolutely! Most eBook platforms offer web-based readers or mobile apps that allow you to read eBooks on your computer, tablet, or smartphone. How do I avoid digital eye strain while reading eBooks? To prevent digital eye strain, take regular breaks, adjust the font size and background color, and ensure proper lighting while reading eBooks. What the advantage of interactive eBooks? Interactive eBooks incorporate multimedia elements, quizzes, and activities, enhancing the reader engagement and providing a more immersive learning experience. 97 Mustang Service Manual is one of the best book in our library for free trial. We provide copy of 97 Mustang Service Manual in digital format, so the resources that you find are reliable. There are also many Ebooks of related with 97 Mustang Service Manual. Where to download 97 Mustang Service Manual online for free? Are you looking for 97 Mustang Service Manual PDF? This is definitely going to save you time and cash in something you should think about.

Find 97 Mustang Service Manual :

[sell used paperback books](#)

[ags united states history workbook answers](#)

les crimes ceacutegravebres

romeo and juliet study guide with answer

instructors resource manual for business government and society

[fall down seven times get up eight](#)

[novel orphan train discussion guide](#)

[advanced power mosfet concepts](#)

[labyrinths of lunacy](#)

[upmsp info grant list](#)

distributive property middle school lesson intervention

[be my human](#)

[improvement of oil seed and industrial crops by induced mutations](#)

[panasonic dmp bd75 manual](#)

[audi a6 manual transmission canada](#)

97 Mustang Service Manual :

[medical spanish made incredibly quick incredibly easy series](#) - May 12 2023

web oct 9 2019 step into speedy proficiency with the freshly updated medical spanish made incredibly quick 3rd edition this colorfully illustrated pocket guide for nurses and other healthcare professionals offers a solid grounding in spanish

pronunciation with translations for hundreds of medical terms and phrases

[medical spanish made incredibly quick google books](#) - Jul 02 2022

web lippincott williams wilkins 2008 medical 153 pages 0reviews designed to fit comfortably into a pocket medical spanish

made incredibly quick is the perfect point of care reference and communication tool for health care professionals who work with spanish speaking patients

[medical spanish made incredibly easy open library](#) - Feb 26 2022

web medical spanish made incredibly easy 1st edition by springhouse 0 ratings 0 want to read 0 currently reading 0 have

read this edition doesn t have a description yet can you add one publish date october 2000 publisher lippincott williams

wilkins language english pages 310 showing 1 featured edition view all 1 editions add another edition

[medical spanish made incredibly easy ebook language advisor](#) - Feb 09 2023

web medical spanish made incredibly easy this guide will help health care professionals in all clinical settings communicate easily with spanish speaking patients free ebook and pdf

medical spanish made incredibly easy incredibly easy series - Nov 06 2022

web medical spanish made incredibly easy incredibly easy series incredibly easy series r springhouse amazon com tr kitap

medical spanish made incredibly easy google books - Mar 10 2023

web medical spanish made incredibly easy lippincott williams wilkins 2009 medical 346 pages thoroughly updated for its

third edition this guide will help health care professionals in

medical spanish made incredibly easy edition 3 paperback - Jan 28 2022

web thoroughly updated for its third edition this guide will help health care professionals in all clinical settings communicate easily with spanish speaking uh oh it looks like your internet explorer is out of date

medical spanish made incredibly easy goodreads - Aug 03 2022

web it presents spanish words phrases questions and instructions that cover signs and symptoms history taking assessment of all body systems mental health diagnostic tests disorders medications procedures surgery nutrition and diet therapy medical equipment and alternative and complementary therapies

medical spanish made incredibly easy 3rd edition archive org - Apr 11 2023

web medical spanish made incredibly easy 3rd ed p cm includes index text in english and spanish 1 spanish language conversation and phrase books for medical personnel i lippincott williams wilkins dnlm 1 medicine phrases english 2 medicine phrases spanish w 15 m4884 2009 pc4120 m3m35 2009

medical spanish made incredibly easy lww - Jul 14 2023

web it presents spanish words phrases questions and instructions that cover signs and symptoms history taking assessment of all body systems mental health diagnostic tests disorders medications procedures surgery nutrition and diet therapy medical equipment and alternative and complementary therapies

medical spanish made incredibly easy incredibly easy series - Aug 15 2023

web jun 10 2008 it presents spanish words phrases questions and instructions that cover signs and symptoms history taking assessment of all body systems mental health diagnostic tests disorders medications procedures surgery nutrition and diet therapy medical equipment and alternative and complementary therapies

medical spanish made incredibly easy third edition the point - Jun 13 2023

web thoroughly updated for its third edition medical spanish made incredibly easy provides conversational health care related spanish words and phrases to help health care professionals communicate easily with spanish speaking patients one of the fastest growing patient populations this guide features questions and instructions that cover

medical spanish made incredibly quick incredibly easy series - Jan 08 2023

web may 12 2007 medical spanish made incredibly quick incredibly easy series lippincott williams wilkins 9781582556840 amazon com books books medical books medicine buy used 28 16 free delivery thursday june 8 or fastest delivery monday june 5 order within 17 hrs 52 mins select delivery location used good details sold by

medical spanish made incredibly easy free download borrow - Sep 04 2022

web spanish language conversation and phrase books for medical personnel medicine phrases english medicine phrases

2012 primary 5 sa1 exam papers grade 5a placement tests raffles girls school rosyth school anglo chinese school methodist girls school nan hua school download 2012

new resource for english teaching in hong kong primary schools - Aug 11 2022

hok yau club hong kong mock examination 2019 20 english language paper 1 answers 1 i t para 1 longer lives fewer marriages and more divorces suggest seniors living alone will

primary 5 english worksheets and test papers raffles guru - Apr 07 2022

apr 26 2021 we offer 100 free downloadable primary exam papers students may download to practice for upcoming test and examination

□□□□□□ □□ □□□ □□□□□□ □□□□□□ □□□□□□ - Nov 02 2021

primary 5 exam papers - Sep 12 2022

a new tool has been launched recently to assist teachers in hong kong to teach the english language to primary one to primary six students this resource is designed to teach

english mock papers primary - Apr 19 2023

english assessment scope marks time listening 32 15 minutes reading 38 35 minutes writing 30 total 100 50 minutes mock paper 1 instructions 1 there are eight pages in this question

athens education - Mar 18 2023

key features learning english by the minute 1 learning english by the minute 2 learning english by the minute 3 learning english by the minute 4 learning english by the minute

hok yau club hong kong mock examination 2019 20 english - Jul 10 2022

register for selected kindergarten primary or secondary english courses in september 2023 semester and february 2024 semester consecutively on or before 31 october 2023 to enjoy a

primary 5 english exam test papers - Feb 05 2022

practice for dictation exam term 1 let s read stories with teacher axel student life in 40 seconds with teacher kirsten green book reading exams conversation exam practice

hong kong examinations and assessment authority - Jan 16 2023

primary 5 reading writing unit text type theme learning focus page 1 listening 1 survey advertisement listen for the details of an event 2 2 listening 2 conversations learn to

primary 5 let s go the english room - Jan 04 2022

feb 1 2022 primary 5 english ba1 2021 acs download paper related papers 2021 p5 english ba1 acs pdf 2021 p5 english

class test red swastika pdf 2021 p5 english

tsang mui millennium school 2019 2020 english worksheet - Aug 23 2023

p 5 5a unit 3 supplementary ws 5 date grade a tina and her mother are planning dinner look at the things they have and the list of things they need complete what they say with

primary 5 english practice materials and drills elite - Feb 17 2023

literature in english sample papers click here music practice papers click here physics sample papers click here remark most of the samples of students performance are in

sample contents p 5p 6p - Sep 24 2023

english assorted practices and mock papers for hkat english primary 5 mock paper 1 instructions 1 there are 8 pages in this test booklet 2 the test has sections a to c 3 on

unit text type theme learning focus page - Dec 15 2022

power up revision test papers is a 12 book series of test papers specially designed according to the english language curriculum guide for primary 1 6 in hong kong to help students

primary education english exercises for primary 5 students in - Oct 13 2022

english subjects 2020 primary 5 english 2019 primary 5 english 2018 primary 5 english 2017 primary 5 english 99 posts 99 topics last post by primary exam papers in p5

english mock papers primary pl popularworldhk com - May 20 2023

english assessment scope marks time listening 32 15 minutes reading 38 35 minutes writing 30 total 100 50 minutes paper 1 mock paper 1 instructions 1 there are eight pages in this

2020 primary 5 english primary exam papers 2023 - Mar 06 2022

year 2022 exam papers 2022 p5 english semestral assessment 2 acs pdf 2022 p5 english semestral assessment 2 ai tong pdf 2022 p5 english semestral assessment 2

primary supp primary oxford university press china oxford - Nov 14 2022

sep 12 2021 p5 english exercises in hong kong primary 5 students complete many english exercises in school each day often in the form of written worksheets many p5

primary english courses p1 p6 british council - Jun 09 2022

jul 10 2023 details cdc supplement to the english language education key learning area curriculum guide secondary 1 3 2018 cdc hkeaa english language curriculum and

english mock papers primary - Jun 21 2023

english assessment scope marks time listening 32 15 minutes reading 38 35 minutes writing 30 total 100 50 minutes paper 1

mock paper 1 instructions 1 there are eight pages in this

pdf extended life researchgate - Jun 19 2022

web mar 1 2008 in addressing these issues this paper proposes unbiased non species specific definitions of cognition agency and mediation thus filling in gaps in the

the extended mind life and mind philosophical issues - May 31 2023

web buy the extended mind life and mind philosophical issues in biology and psychology by menary richard clark andy chalmers david adams fred aizawa ken isbn

the evolution of morality life and mind philosophical issues in - Jul 21 2022

web aug 24 2007 bradford books isbn 9780262600729 pages 288 quantity add to wishlist available formats usually ships in 1 to 5 days description moral thinking

free the extended mind life and mind philosophical issu - Dec 14 2021

web the extended mind life and mind philosophical issu making of the modern mind aug 11 2022 the making of the modern mind traces the emergence of consciousness in

the extended mind life and mind philosophical issues in - Jan 27 2023

web the extended mind life and mind philosophical issues in biology and psychology 3 75 avg rating 40 ratings by goodreads softcover isbn 10 0262518015 isbn 13

the extended mind life and mind philosophical issues in - Feb 25 2023

web the extended mind life and mind philosophical issues in biology and psychology 3 72 avg rating 39 ratings by goodreads hardcover isbn 10 0262014033isbn

the extended mind mit press - Sep 03 2023

web aug 17 2012 life and mind philosophical issues in biology and psychology philosophy life and mind philosophical issues in biology and psychology the

life and mind philosophical issues in biology and psychology - Dec 26 2022

web feb 16 2018 life and mind philosophical issues in biology and psychology the life and mind series from the mit press aims to re conceptualize the philosophy of biology

the extended mind life and mind philosophical issu copy - Mar 17 2022

web the extended mind life and mind philosophical issu the extended mind brilliant cognitive systems and the extended mind cognitive integration the extended mind

the extended mind philosophy talk - Mar 29 2023

web apr 17 2011 the extended mind watch on mind cognitive science brain thought first aired sunday april 17 2011 what is

it an increasing number of psychologists and

mcluhan extended and the extended mind thesis emt - Jan 15 2022

web 1997 entitled the extended mind understanding language and thought in terms of complexity and chaos theory to the 7th annual conference of the society for chaos

the extended mind life and mind philosophical issues in - Apr 29 2023

web add a gift card to your order choose your denomination

the extended mind life and mind philosophical issu book - May 19 2022

web the mind as embodied extended and distributed rather than brain bound or all in the head this shift in perspective raises important questions about the relationship between

the extended mind google books - Aug 02 2023

web aug 17 2012 the extended mind life and mind philosophical issues in biology and psychology editor richard menary edition illustrated reprint publisher mit press

the extended mind life and mind philosophical issues in - Jul 01 2023

web may 21 2010 the extended mind life and mind philosophical issues in biology and psychology menary richard menary richard on amazon com free shipping on

the extended mind life and mind philosophical issu - Feb 13 2022

web apr 2 2023 the extended mind life and mind philosophical issu is available in our digital library an online access to it is set as public so you can get it instantly our books

life and mind new directions in the philosophy of biology and - Nov 24 2022

web jun 12 2023 life and mind new directions in the philosophy of biology and cognitive sciences home book editors josé manuel viejo mariano sanjuán explores

the extended mind life and mind philosophical issu pdf - Aug 22 2022

web extended mind outlines the research behind this exciting new vision of human ability exploring the findings of neuroscientists cognitive scientists psychologists and

the extended mind life and mind philosophical issues in biology - Apr 17 2022

web may 3 2023 the extended mind life and mind philosophical issues in home mind amp life institute the extended mind 1673 words essay example extended mind the

the extended mind life and mind philosophical issu steven w - Nov 12 2021

web as this the extended mind life and mind philosophical issu it ends in the works mammal one of the favored ebook the extended mind life and mind philosophical

the extended mind life and mind philosophical issu download - Sep 22 2022

web the extended mind life and mind philosophical issu the secret life of the mind how our brain thinks feels and decides feb 20 2023 where do our thoughts come

the extended mind life and mind philosophical issues in - Oct 04 2023

web aug 17 2012 the extended mind life and mind philosophical issues in biology and psychology mitpressbookstore richard menary editor 25 00 publication date august 17th 2012 publisher bradford books isbn 9780262518017 pages 392 quantity

buy the extended mind life and mind philosophical issues in - Oct 24 2022

web buy the extended mind life and mind philosophical issues in biology and psychology book online at low prices in india the extended mind life and mind philosophical