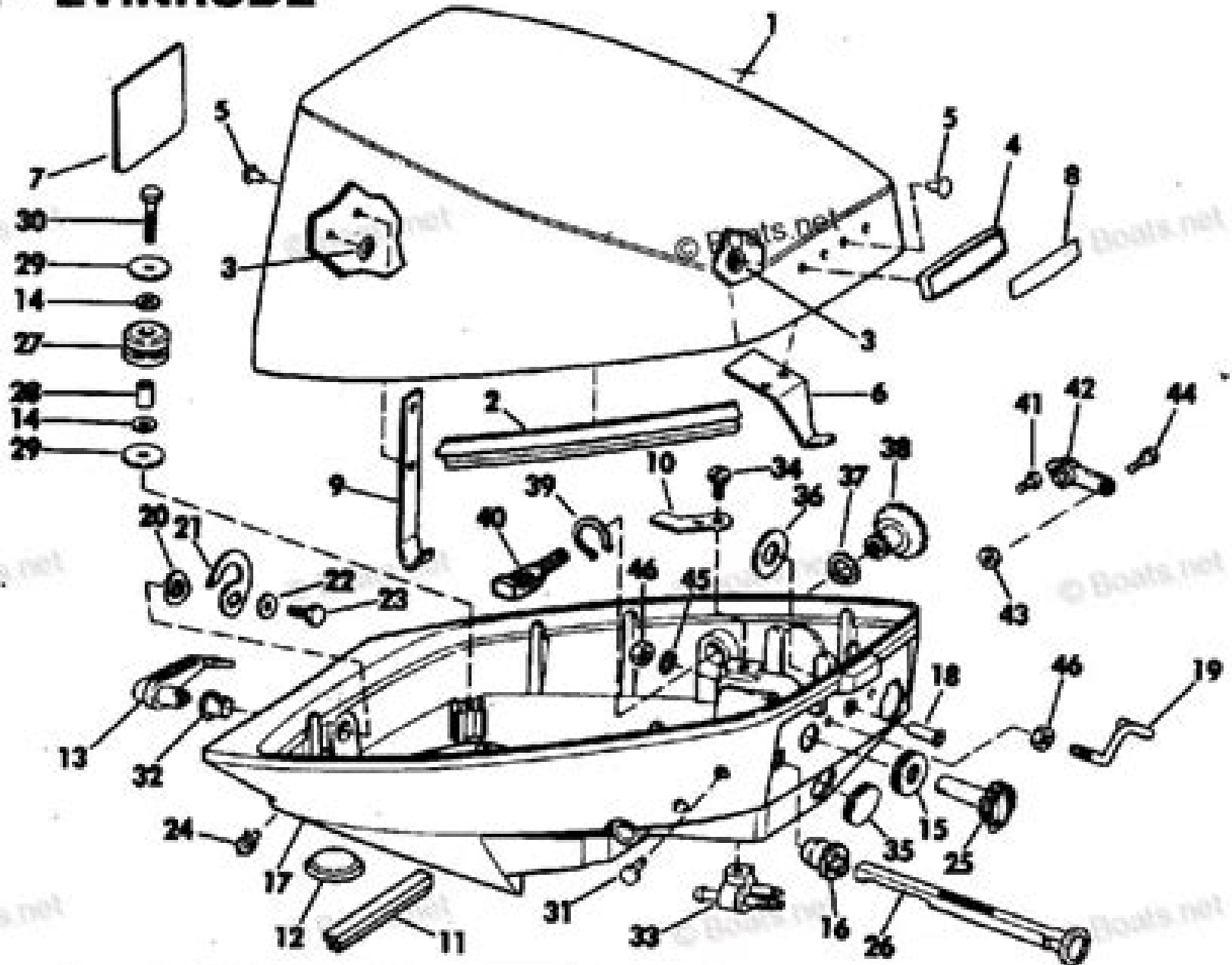


OVER - EVINRUDE



6 Hp Evinrude Fuel Pump Diagrams

**Chilton Book Company. Automotive
Editorial Department**



6 Hp Evinrude Fuel Pump Diagrams:

Boating ,2007-03 **Boating** ,2006-11 **Boating** ,2007-01 **Marine Engine Parts Tools, Equipment** ,1946
Outboard Motor Service Manual: Motors below 30 hp ,1979 **Bibliography of Scientific and Industrial Reports**
,1946 *MotorBoating* ,1965-01 **Chilton's Repair and Tune-up Guide: Outboard Motors, Under 30 Horsepower**
Chilton Book Company. Automotive Editorial Department,1973 Provides a manual for the proper care of outboard motors
under thirty horsepower made by Chrysler Kiekhaefer Mercury and Outboard Marine Corporation **Popular Mechanics**
,1968-06 Popular Mechanics inspires instructs and influences readers to help them master the modern world Whether it s
practical DIY home improvement tips gadgets and digital technology information on the newest cars or the latest
breakthroughs in science PM is the ultimate guide to our high tech lifestyle **Seloc's Johnson/Evinrude Outboard:**
1971-1985 : 2.0 HP thru 60 HP Clarence W. Coles,Howard U. Young,1989 Chilton's Repair and Tune-up Guide:
Outboard Motors, 30 Horsepower & Over Chilton Book Company. Automotive Editorial Department,1973 Repair and Tune up
Guide **The Rudder** Thomas Fleming Day,1976 *Boats* ,1958 **Outboard Engines** Edwin R. Sherman,1997
Outboard Engines fills the gap between owner s manuals that don t even tell you how to change a spark plug and
professional shop manuals that detail how to do a complete rebuild It covers basic principles and techniques for a wide
variety of outboards four stroke as well as two stroke with the emphasis on maintenance and advanced troubleshooting Ed
Sherman s clear explanations and diagrams take you step by step through the basics and beyond helping you track down
even the most elusive problems a modern outboard can throw in your way his methodical approach can save you a world of
frustration and peril as well as time and a half weekend mechanics charges **Automotive Industries** ,1968 Vols for 1919
include an Annual statistical issue title varies *H. Channon Company Chicago List Price Catalog No. 101* H. Channon
Company,1930 **Yachting** ,1968 *Popular Science* ,1976-01 Popular Science gives our readers the information and
tools to improve their technology and their world The core belief that Popular Science and our readers share The future is
going to be better and science and technology are the driving forces that will help make it better Outboard Motor Service
Manual Intertec Publishing,1987 Detailed tips on periodic servicing troubleshooting general maintenance and repair are
explicitly outlined in this manual Repair is easy with the specifications and step by step repair procedures included for
hundreds of models Volume II covers models with 30hp and above *Atlantic Fisherman* ,1989

Thank you for downloading **6 Hp Evinrude Fuel Pump Diagrams**. Maybe you have knowledge that, people have search numerous times for their chosen novels like this 6 Hp Evinrude Fuel Pump Diagrams, but end up in harmful downloads. Rather than enjoying a good book with a cup of tea in the afternoon, instead they are facing with some harmful bugs inside their desktop computer.

6 Hp Evinrude Fuel Pump Diagrams is available in our book collection an online access to it is set as public so you can get it instantly.

Our book servers saves in multiple countries, allowing you to get the most less latency time to download any of our books like this one.

Kindly say, the 6 Hp Evinrude Fuel Pump Diagrams is universally compatible with any devices to read

<https://netdata.businessstraveller.com/book/scholarship/index.jsp/Pc%20Training%20College%202016%20Registration.pdf>

Table of Contents 6 Hp Evinrude Fuel Pump Diagrams

1. Understanding the eBook 6 Hp Evinrude Fuel Pump Diagrams
 - The Rise of Digital Reading 6 Hp Evinrude Fuel Pump Diagrams
 - Advantages of eBooks Over Traditional Books
2. Identifying 6 Hp Evinrude Fuel Pump Diagrams
 - Exploring Different Genres
 - Considering Fiction vs. Non-Fiction
 - Determining Your Reading Goals
3. Choosing the Right eBook Platform
 - Popular eBook Platforms
 - Features to Look for in an 6 Hp Evinrude Fuel Pump Diagrams
 - User-Friendly Interface
4. Exploring eBook Recommendations from 6 Hp Evinrude Fuel Pump Diagrams
 - Personalized Recommendations

- 6 Hp Evinrude Fuel Pump Diagrams User Reviews and Ratings
- 6 Hp Evinrude Fuel Pump Diagrams and Bestseller Lists
- 5. Accessing 6 Hp Evinrude Fuel Pump Diagrams Free and Paid eBooks
 - 6 Hp Evinrude Fuel Pump Diagrams Public Domain eBooks
 - 6 Hp Evinrude Fuel Pump Diagrams eBook Subscription Services
 - 6 Hp Evinrude Fuel Pump Diagrams Budget-Friendly Options
- 6. Navigating 6 Hp Evinrude Fuel Pump Diagrams eBook Formats
 - ePub, PDF, MOBI, and More
 - 6 Hp Evinrude Fuel Pump Diagrams Compatibility with Devices
 - 6 Hp Evinrude Fuel Pump Diagrams Enhanced eBook Features
- 7. Enhancing Your Reading Experience
 - Adjustable Fonts and Text Sizes of 6 Hp Evinrude Fuel Pump Diagrams
 - Highlighting and Note-Taking 6 Hp Evinrude Fuel Pump Diagrams
 - Interactive Elements 6 Hp Evinrude Fuel Pump Diagrams
- 8. Staying Engaged with 6 Hp Evinrude Fuel Pump Diagrams
 - Joining Online Reading Communities
 - Participating in Virtual Book Clubs
 - Following Authors and Publishers 6 Hp Evinrude Fuel Pump Diagrams
- 9. Balancing eBooks and Physical Books 6 Hp Evinrude Fuel Pump Diagrams
 - Benefits of a Digital Library
 - Creating a Diverse Reading Collection 6 Hp Evinrude Fuel Pump Diagrams
- 10. Overcoming Reading Challenges
 - Dealing with Digital Eye Strain
 - Minimizing Distractions
 - Managing Screen Time
- 11. Cultivating a Reading Routine 6 Hp Evinrude Fuel Pump Diagrams
 - Setting Reading Goals 6 Hp Evinrude Fuel Pump Diagrams
 - Carving Out Dedicated Reading Time
- 12. Sourcing Reliable Information of 6 Hp Evinrude Fuel Pump Diagrams
 - Fact-Checking eBook Content of 6 Hp Evinrude Fuel Pump Diagrams

- Distinguishing Credible Sources
- 13. Promoting Lifelong Learning
 - Utilizing eBooks for Skill Development
 - Exploring Educational eBooks
- 14. Embracing eBook Trends
 - Integration of Multimedia Elements
 - Interactive and Gamified eBooks

6 Hp Evinrude Fuel Pump Diagrams Introduction

In this digital age, the convenience of accessing information at our fingertips has become a necessity. Whether its research papers, eBooks, or user manuals, PDF files have become the preferred format for sharing and reading documents. However, the cost associated with purchasing PDF files can sometimes be a barrier for many individuals and organizations. Thankfully, there are numerous websites and platforms that allow users to download free PDF files legally. In this article, we will explore some of the best platforms to download free PDFs. One of the most popular platforms to download free PDF files is Project Gutenberg. This online library offers over 60,000 free eBooks that are in the public domain. From classic literature to historical documents, Project Gutenberg provides a wide range of PDF files that can be downloaded and enjoyed on various devices. The website is user-friendly and allows users to search for specific titles or browse through different categories. Another reliable platform for downloading 6 Hp Evinrude Fuel Pump Diagrams free PDF files is Open Library. With its vast collection of over 1 million eBooks, Open Library has something for every reader. The website offers a seamless experience by providing options to borrow or download PDF files. Users simply need to create a free account to access this treasure trove of knowledge. Open Library also allows users to contribute by uploading and sharing their own PDF files, making it a collaborative platform for book enthusiasts. For those interested in academic resources, there are websites dedicated to providing free PDFs of research papers and scientific articles. One such website is Academia.edu, which allows researchers and scholars to share their work with a global audience. Users can download PDF files of research papers, theses, and dissertations covering a wide range of subjects. Academia.edu also provides a platform for discussions and networking within the academic community. When it comes to downloading 6 Hp Evinrude Fuel Pump Diagrams free PDF files of magazines, brochures, and catalogs, Issuu is a popular choice. This digital publishing platform hosts a vast collection of publications from around the world. Users can search for specific titles or explore various categories and genres. Issuu offers a seamless reading experience with its user-friendly interface and allows users to download PDF files for offline reading. Apart from dedicated platforms, search engines also play a crucial role in finding free PDF files. Google, for instance, has an advanced

search feature that allows users to filter results by file type. By specifying the file type as "PDF," users can find websites that offer free PDF downloads on a specific topic. While downloading 6 Hp Evinrude Fuel Pump Diagrams free PDF files is convenient, it's important to note that copyright laws must be respected. Always ensure that the PDF files you download are legally available for free. Many authors and publishers voluntarily provide free PDF versions of their work, but it's essential to be cautious and verify the authenticity of the source before downloading 6 Hp Evinrude Fuel Pump Diagrams. In conclusion, the internet offers numerous platforms and websites that allow users to download free PDF files legally. Whether it's classic literature, research papers, or magazines, there is something for everyone. The platforms mentioned in this article, such as Project Gutenberg, Open Library, Academia.edu, and Issuu, provide access to a vast collection of PDF files. However, users should always be cautious and verify the legality of the source before downloading 6 Hp Evinrude Fuel Pump Diagrams any PDF files. With these platforms, the world of PDF downloads is just a click away.

FAQs About 6 Hp Evinrude Fuel Pump Diagrams Books

How do I know which eBook platform is the best for me? Finding the best eBook platform depends on your reading preferences and device compatibility. Research different platforms, read user reviews, and explore their features before making a choice. Are free eBooks of good quality? Yes, many reputable platforms offer high-quality free eBooks, including classics and public domain works. However, make sure to verify the source to ensure the eBook credibility. Can I read eBooks without an eReader? Absolutely! Most eBook platforms offer webbased readers or mobile apps that allow you to read eBooks on your computer, tablet, or smartphone. How do I avoid digital eye strain while reading eBooks? To prevent digital eye strain, take regular breaks, adjust the font size and background color, and ensure proper lighting while reading eBooks. What the advantage of interactive eBooks? Interactive eBooks incorporate multimedia elements, quizzes, and activities, enhancing the reader engagement and providing a more immersive learning experience. 6 Hp Evinrude Fuel Pump Diagrams is one of the best book in our library for free trial. We provide copy of 6 Hp Evinrude Fuel Pump Diagrams in digital format, so the resources that you find are reliable. There are also many Ebooks of related with 6 Hp Evinrude Fuel Pump Diagrams. Where to download 6 Hp Evinrude Fuel Pump Diagrams online for free? Are you looking for 6 Hp Evinrude Fuel Pump Diagrams PDF? This is definitely going to save you time and cash in something you should think about. If you trying to find then search around for online. Without a doubt there are numerous these available and many of them have the freedom. However without doubt you receive whatever you purchase. An alternate way to get ideas is always to check another 6 Hp Evinrude Fuel Pump Diagrams. This method for see exactly what may be included and adopt these ideas to your book. This site will almost certainly help you save time and effort, money and stress. If you are looking for free books then you really

should consider finding to assist you try this. Several of 6 Hp Evinrude Fuel Pump Diagrams are for sale to free while some are payable. If you arent sure if the books you would like to download works with for usage along with your computer, it is possible to download free trials. The free guides make it easy for someone to free access online library for download books to your device. You can get free download on free trial for lots of books categories. Our library is the biggest of these that have literally hundreds of thousands of different products categories represented. You will also see that there are specific sites catered to different product types or categories, brands or niches related with 6 Hp Evinrude Fuel Pump Diagrams. So depending on what exactly you are searching, you will be able to choose e books to suit your own need. Need to access completely for Campbell Biology Seventh Edition book? Access Ebook without any digging. And by having access to our ebook online or by storing it on your computer, you have convenient answers with 6 Hp Evinrude Fuel Pump Diagrams To get started finding 6 Hp Evinrude Fuel Pump Diagrams, you are right to find our website which has a comprehensive collection of books online. Our library is the biggest of these that have literally hundreds of thousands of different products represented. You will also see that there are specific sites catered to different categories or niches related with 6 Hp Evinrude Fuel Pump Diagrams So depending on what exactly you are searching, you will be able to choose ebook to suit your own need. Thank you for reading 6 Hp Evinrude Fuel Pump Diagrams. Maybe you have knowledge that, people have search numerous times for their favorite readings like this 6 Hp Evinrude Fuel Pump Diagrams, but end up in harmful downloads. Rather than reading a good book with a cup of coffee in the afternoon, instead they juggled with some harmful bugs inside their laptop. 6 Hp Evinrude Fuel Pump Diagrams is available in our book collection an online access to it is set as public so you can download it instantly. Our digital library spans in multiple locations, allowing you to get the most less latency time to download any of our books like this one. Merely said, 6 Hp Evinrude Fuel Pump Diagrams is universally compatible with any devices to read.

Find 6 Hp Evinrude Fuel Pump Diagrams :

pc training college 2016 registration

network printer manual

2014 regional convention notebook kids edition

pc troubleshooting guide file

walther ppk s repair manual

la chanson franasaise atravers ses succas

essex conversations

lodysseacuttee dadam ellsworth partie

value of 1997 ford expedition

1996 sebring owners manua

ingersoll 4118 manual

mini cooper s 2015 owners manual

practice 8 4 properties of logarithms answer key

read miladyintlcatalog2010 final web

vespa gt200 granturismo 200l parts manual catalog

6 Hp Evinrude Fuel Pump Diagrams :

medical terminology simplified a programmed learning - Apr 04 2022

web jan 31 2019 *medical terminology simplified medical language lab work together to create an immersive multimedia experience that tracks your progress until you ve*

medical terminology for health professions 6th edition quizlet - Sep 21 2023

web now with expert verified solutions from medical terminology for health professions 6th edition you ll learn how to solve your toughest homework problems our resource for medical terminology for health professions includes answers to chapter exercises as

medical terminology chapter 6 spelling quiz flashcards - Nov 11 2022

web study with quizlet and memorize flashcards containing terms like carcinoma metastasize sarcoma and more hello quizlet home expert solutions create subjects exams

medical terminology 6th edition cheats pdf pdf 2023 - Jun 06 2022

web medical terminology 6th edition cheats pdf pdf upload herison b hayda 1 34 downloaded from dapperanddashing com on september 28 2023 by herison b

medical terminology 6th edition cheats copy uniport edu - Sep 09 2022

web may 31 2023 *medical terminology 6th edition cheats 2 14 downloaded from uniport edu ng on may 31 2023 by guest learning principles and exercises this highly*

medical terminology 6th edition cheats pdf wiki lwn - Jun 18 2023

web medical terminology 6th edition cheats whispering the strategies of language an emotional quest through medical terminology 6th edition cheats in a digitally driven

medical terminology for health professions 6th edition cengage - Apr 16 2023

web medical terminology for health professions sixth edition simplifies the process of learning hundreds of complex medical

terms the see and say pronunciation system

medical terminology 6th edition cheats ams istanbul edu - Aug 20 2023

web medical terminology 6th edition cheats downloaded from ams istanbul edu tr by guest frederick aydin medical

terminology medical terminology a short course

mastering healthcare terminology e book google books - Feb 02 2022

web jan 29 2018 betsy shiland has authored 2 very successful medical terminology texts along with a statistics text for health information management students she is a

medical terminology 6th edition vitalsource - Aug 08 2022

web medical terminology a living language 6th edition is written by bonnie f fremgen suzanne s frucht and published by pearson the digital and etextbook isbn for

medical terminology 6th edition vitalsource - Jan 01 2022

web medical terminology a living language 6th edition is written by bonnie f fremgen suzanne s frucht and published by pearson the digital and etextbook isbn for

medical terminology 6th edition cheats book stage rcm org - Oct 30 2021

web medical terminology 6th edition cheats book review unveiling the power of words in some sort of driven by information and connectivity the energy of words has be more

medical terminology 6th edition cheats sormunen copy - Jul 07 2022

web this medical terminology 6th edition cheats but end in the works in harmful downloads rather than enjoying a fine book behind a mug of coffee in the afternoon on the other

medical terminology for dummies cheat sheet flashcards - Jan 13 2023

web study with quizlet and memorize flashcards containing terms like skeletal muscular integumentary and more fresh features from the 1 ai enhanced learning platform

medical terminology a short course 6th edition amazon com - May 05 2022

web nov 11 2011 using davi ellen chabner s proven learning methods medical terminology a short course 6th edition omits time consuming nonessential information and helps

medical terminology a living language 6th edition - May 17 2023

web mar 28 2015 medical terminology a living language uses a carefully constructed learning system to help readers gain a successful grasp of medical language within a

medical terminology 6th edition cheats pdf uniport edu - Dec 12 2022

web apr 10 2023 medical terminology 6th edition cheats is available in our book collection an online access to it is set as

public so you can download it instantly our digital library

[medical terminology 6th edition cheats pdf stage rcm org](#) - Nov 30 2021

web medical terminology 6th edition cheats whispering the secrets of language an psychological quest through medical terminology 6th edition cheats in a digitally

medical terminology for dummies cheat sheet - Oct 10 2022

web mar 14 2021 medical terminology for dummies explore book buy on amazon grasping medical terminology starts with knowing the body s systems recognizing

[medical terminology 6th edition flashcards and study sets quizlet](#) - Jul 19 2023

web learn medical terminology 6th edition with free interactive flashcards choose from 2 023 different sets of medical terminology 6th edition flashcards on quizlet

medical terminology an illustrated guide chapter 6 flashcards - Mar 15 2023

web a spreading inflammation of tissue cellulitis escape of fluid into a cavity or other body part effusion material that escapes from blood vessels as a result of tissue injury exudate a

medical terminology simplified 6th edition vitalsource - Mar 03 2022

web medical terminology simplified 6th edition a programmed learning self paced body systems approach build a medical vocabulary frame by frame as you explore each

[medical terminology chapter 6 vocab flashcards quizlet](#) - Feb 14 2023

web medical terminology chapter 6 vocab get a hint abnormal ultrasonography click the card to flip sounds waves beamed into the abdomen produce an image of abdominal

nancy que hago nancy what should i do spanish edition - Feb 05 2022

web nancy que hago nancy what should i do spanish edition dra nancy alvarez amazon com au books

nancy que hago nancy what should i do indigo books - Dec 15 2022

web buy the paperback book nancy que hago nancy what should i do by nancy alvarez at indigo ca canada s largest bookstore free shipping and pickup in store on eligible orders

[nancy que hago nancy what should i do goodreads](#) - Jun 21 2023

web nancy que hago no solo es un libro de autoayuda pues tambien cuenta con pasajes autobiograficos de esta experta que lleva de la mano al lector por un mundo sorprendente de conocimientos invaluable para la vida de pareja y las relaciones de familia con un lenguaje ocurrente espontaneo y sincero que aligera la carga en el tratamiento de

nancy que hago nancy what should i do spanish edition - Sep 24 2023

web jan 1 2011 un libro de consulta que nos hace conocernos mas a nosotros mismos a nuestros seres queridos y nos sirve

de guía indispensable en el camino complejo de las relaciones humanas deshaciendo mitos y acercándonos más a la verdad de cada día

nancy que hago nancy what should i do google books - Jul 22 2023

web in nancy que hago dr alvarez provides an uncensored response to a wide variety of subjects including sex violence neglect child rearing and couples relationships with her

nancy qué hago by dra nancy Álvarez books on google play - Jan 16 2023

web nancy Álvarez nació en la república dominicana el éxito de la dra nancy en estados unidos es el resultado de su show de tv quien tiene la razón cuyo principal propósito es educar mientras entretiene nancy Álvarez es doctora en psicología clínica con maestría y postgrados en terapia familiar de pareja y sexual

nancy que hago nancy what should i do paperback - Sep 12 2022

web amazon in buy nancy que hago nancy what should i do book online at best prices in india on amazon in read nancy que hago nancy what should i do book reviews author details and more at amazon in free delivery on qualified orders

amazon in customer reviews nancy que hago nancy what should i do - Aug 11 2022

web find helpful customer reviews and review ratings for nancy que hago nancy what should i do at amazon com read honest and unbiased product reviews from our users

nancy que hago nancy what should i do nancy que hago nancy - Nov 14 2022

web nancy que hago nancy what should i do nancy que hago nancy what should i do by alvarez nancy author on sep 30 2011 paperback alvarez nancy amazon de books

nancy que hago nancy what should i do spanish edition - Apr 07 2022

web amazon com nancy que hago nancy what should i do spanish edition 9781616052034 alvarez dra nancy □□□□

nancy que hago nancy what should i do alibris - Oct 13 2022

web buy nancy que hago nancy what should i do by nancy alvarez online at alibris we have new and used copies available in 0 edition starting at shop now

nancy que hago nancy what should i do by alvarez nancy - Feb 17 2023

web nancy what should i do by alvarez nancy author paperback oct 2011 paperback by alvarez nancy isbn from amazon s book store everyday low prices and free delivery on eligible orders

nancy que hago nancy what should i do paperback - May 08 2022

web nancy que hago nancy what should i do alvarez nancy amazon nl boeken

nancy que hago nancy what should i do tapa blanda - May 20 2023

web nancy que hago nancy what should i do alvarez nancy amazon es libros

nancy que hago nancy what should i do nancy baron - Mar 06 2022

web this nancy que hago nancy what should i do as one of the most practicing sellers here will extremely be along with the best options to review nancy qué hago

nancy que hago nancy what should i do by nancy dra - Apr 19 2023

web find many great new used options and get the best deals for nancy que hago nancy what should i do by nancy dra alvarez 2011 trade paperback at the best online prices at ebay free delivery for many products

nancy qué hago nancy what should i do paperback - Aug 23 2023

web buy nancy qué hago nancy what should i do by lvarez nancy isbn 9781616052034 from amazon s book store everyday low prices and free delivery on eligible orders

nancy qué hago nancy what should i do paperback - Mar 18 2023

web nancy qué hago nancy what should i do lvarez nancy amazon sg books

nancy que hago nancy what should i do nancy que hago nancy - Jul 10 2022

web nancy que hago nancy what should i do nancy que hago nancy what should i do by alvarez nancy author on sep 30 2011 paperback alvarez nancy amazon de bücher

amazon de customer reviews nancy que hago nancy what should i do - Jun 09 2022

web find helpful customer reviews and review ratings for nancy que hago nancy what should i do nancy que hago nancy what should i do by alvarez nancy author on sep 30 2011 paperback at amazon de read honest and unbiased product reviews from our users

le rucher durable guide pratique de l apiculteur pdf - Feb 27 2022

web le rucher durable guide pratique de l apiculteur les récréations de l apiculteur curiosités et expériences jun 08 2022 mes premières abeilles feb 21 2021 les fiches pratiques de l apiculteur mar 17 2023 cours pratique d apiculture culture des abeilles professé au jardin du luxembourg feb 04

le rucher durable guide pratique de l apiculteur d aujourd'hui - Mar 11 2023

web le rucher durable guide pratique de l apiculteur d aujourd'hui 29 90 réservez en ligne retirez sous 4h livraison gratuite en magasin retour en magasin sous 30 jours description descriptif du fournisseur texte provisoire créer un rucher c est facile

le rucher durable guide pratique de l apiculteur d aujourd'hui - Sep 05 2022

web résumé du livre le rucher durable guide pratique de l apiculteur d aujourd'hui confronté depuis 30 ans à ces enjeux majeurs jean riondet apporte ici des solutions concrètes accessibles modernes

le rucher durable guide pratique de l apiculteur d aujourd'hui - Mar 31 2022

web le rucher durable guide pratique de l apiculteur d aujourd'hui de riondet jean adell gaëtan fayolle sosthène sur abebooks

fr isbn 10 2841385442 isbn 13 9782841385447 ulmer 2013 couverture souple

le rucher durable guide pratique de l apiculteur d aujourd'hui un - May 01 2022

web feb 13 2018 le rucher durable guide pratique de l apiculteur d aujourd'hui un livre est très complet pour apiculteurs exigeants 13 février 2018 daniel gagnon maison et jardin

le rucher durable editions ulmer - Jul 15 2023

web le rucher durable guide pratique de l apiculteur d aujourd'hui jean riondet 400 illustrations 272 pages isbn 9782841385447 année d'édition 2013 29 90 feuilletez un extrait créer un rucher c'est facile

le rucher durable guide pratique de l apiculteur d aujourd'hui - Jul 03 2022

web jan 17 2013 confronté à de nouvelles menaces nouveaux parasites pesticides changements climatiques le défi de l apiculteur d aujourd'hui est de produire du miel durablement en conservant ses ruches et ses abeilles en bonne santé

le rucher durable guide pratique de l apiculteur d aujourd'hui - Dec 28 2021

web le rucher durable guide pratique de l apiculteur d aujourd'hui broché achat en ligne au meilleur prix sur e leclerc retrait gratuit dans de 700 magasins

le rucher durable guide pratique de l apiculteur d aujourd'hui - Jun 02 2022

web 1 le rucher durable guide pratique de l apiculteur d aujourd'hui jean riondet sosthène fayolle gaëtan adell le rucher durable guide pratique de l apiculteur d aujourd'hui jean riondet sosthène fayolle gaëtan adell créer un rucher c'est facile le maintenir productif populeux le faire évoluer suivant les miellées préserver

le rucher durable guide pratique de l apiculteur d aujourd'hui - Jun 14 2023

web feb 7 2013 cet ouvrage apporte au débutant comme à l apiculteur chevronné des informations à jour pour installer son rucher s'équiper acheter un essaim et produire du miel en prenant en compte les aspects environnementaux et les nouvelles menaces nouveaux parasites pesticides changements climatiques

le rucher durable guide pratique de l apiculteur 2022 - Jan 29 2022

web le rucher durable guide pratique de l apiculteur 3 3 study of empirical situations as readers will discover the coviability of social and ecological systems is based on the contradiction between humanity which adopts finalized objectives and the biosphere which refers to a ecological functions we see how concrete situations shed light on

guide pratique de l apiculteur achat vente apiculture net - Aug 04 2022

web résumé du livre le rucher durable guide pratique de l apiculteur d aujourd'hui confronté depuis 30 ans à ces enjeux majeurs jean riondet apporte ici des solutions concrètes accessibles modernes

le rucher durable guide pratique de l apiculteur d aujourd'hui de - Oct 06 2022

web créer un rucher c'est facile le maintenir productif populeux le faire évoluer suivant les miellées préserver ses colonies

des parasites et maladies les prémunir contre les risques de produits toxiques faire ses propres souches et ses reines c est toute une aventure confronté depuis 30 ans à ces enjeux majeurs jean riondet apporte ici des solutions

le rucher durable guide pratique de l apiculteur d aujourd'hui - May 13 2023

web il propose une conduite du rucher à la fois pérenne et sereine toujours dans le respect de l environnement et des abeilles auteur de l apiculture mois par mois publié en 2010 et déjà réédité deux fois jean riondet s est appuyé pour cet ouvrage sur deux compères apiculteurs professionnels sosthène fayolle et gaëtan adell

guide pour les apiculteurs débutants ministère de l agriculture et de - Nov 07 2022

web apr 6 2022 il vise à les guider et les aider à faire leurs premiers pas en tant qu apiculteurs il détaille les obligations des apiculteurs répond à leurs interrogations et les conseille afin qu ils assurent le bien être et la santé de leur colonie À télécharger

le rucher durable guide pratique de l apiculteur d aujourd'hui - Apr 12 2023

web feb 7 2013 il propose une conduite du rucher à la fois pérenne et sereine toujours dans le respect de l environnement et des abeilles auteur de l apiculture mois par mois publié en 2010 et déjà réédité 2 fois jean riondet s est appuyé pour ce nouvel ouvrage sur deux compères apiculteurs professionnels sosthène fayolle et gaëtan adell

le rucher durable guide pratique de l apiculteur d aujourd'hui - Dec 08 2022

web créer un rucher c est facile le maintenir productif populeux le faire évoluer suivant les miellées préserver ses colonies des parasites et maladies les prémunir contre les risques de produits toxiques faire ses propres souches et ses

le rucher durable guide pratique de l apiculteur d aujourd'hui - Aug 16 2023

web noté 5 achetez le rucher durable guide pratique de l apiculteur d aujourd'hui de riondet jean adell gaëtan fayolle sosthène isbn 9782841385447 sur amazon fr des millions de livres livrés chez vous en 1 jour

amazon fr le rucher durable guide pratique de l apiculteur d - Feb 10 2023

web noté 5 retrouvez le rucher durable guide pratique de l apiculteur d aujourd'hui de jean riondet sosthène fayolle gaëtan adell 7 février 2013 et des millions de livres en stock sur amazon fr achetez neuf ou d occasion

le rucher durable guide pratique de l apiculteur d aujourd'hui - Jan 09 2023

web le rucher durable guide pratique de l apiculteur d aujourd'hui riondet jean adell gaëtan fayolle sosthène amazon com be livres