

which apply to your motor. When ordering parts, accessories and tools, or when corresponding with the dealer in regard to service matters, always specify model and serial number.

PERIODIC CHECKUP

After 20 hours, an inspection should be performed by an Authorized Outboard Dealer at local rates and paid for by the owner.

After the 20-hour check, your outboard should be taken to an Authorized Dealer every 100 hours of operation - or at least once each year - for lube change, tuneup, etc.

To find the Authorized Service facilities in your locality, or when traveling, refer to the classified or yellow pages in the local telephone directory under "Outboard Motors" or "Marine Engines."

This owner's publication includes operation and service instructions. If disassembly or replace-

ment, particularly of internal parts, is required, the owner is advised to see an Authorized Service Dealer and not to attempt the repair work himself.

SPECIFICATIONS

	70	50	40
Base	72.9mm (2.87")	65mm (2.56")	72.9mm (2.87")
Stroke	65.1mm (2.56"/.987")	54mm (2.1"/.87")	65.1mm (2.56"/.987")
Cyl. In. Piston Displacement	8.0litre (.49GAL)	7.7litre (.48)	5.0litre (.31GAL)
Full throttle RPM Range	2000-2800	2000-2500	2000-2300
Recommended Spark Plug	Champion QL-76A	Champion QL-76A	Champion QL-76A
Horsepower	39 kw (50 hp.)	35.4 kw (48 hp.)	28.3 kw (40 hp.)

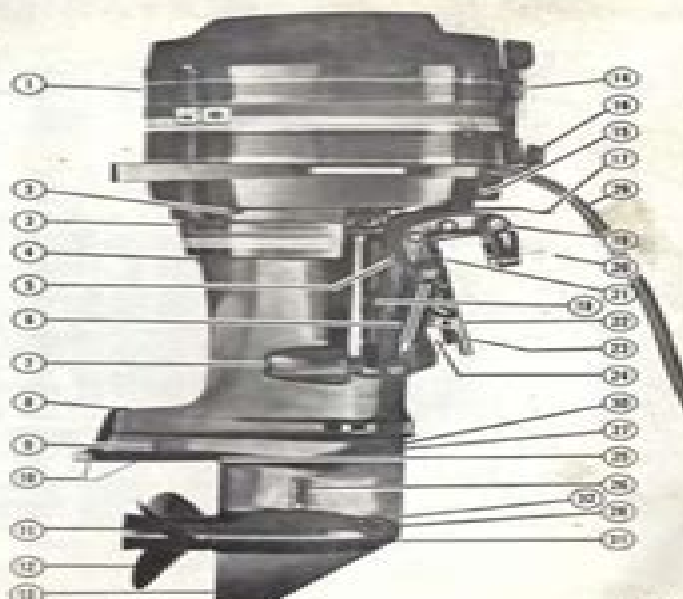
Fuel Tank Capacity*: 22.1 (2 Liters), 7 Imperial Gals., 6 U. S. Gallons.

* Additional capacity for oil included.

2 (ENGLISH)

1 50 (4-Cyl.) HP Model

- 1 - Wrap-Around Cover
- 2 - Trim Cover
- 3 - Water Pump "Tall-Tale" Hole
- 4 - Exhaust Outlet
- 5 - Tilt Stop Lever
- 6 - Drive Shock Absorber
- 7 - Drive-Flant Suspension
- 8 - Trim Tab Plug
- 9 - Water Discharge
- 10 - Trim Tab
- 11 - Jet-Prop Exhaust
- 12 - Quick-Lover Propeller
- 13 - Sling
- 14 - Front Cover
- 15 - Fuel Line Connector Receptacle
- 16 - Release Lever
- 17 - Steering Arm
- 18 - Serial Number Plate
- 19 - Tilt Tack
- 20 - Clamp Screws
- 21 - Upper Tension Bolt Hole
- 22 - Clamp and Swivel Bracket
- 23 - Lower Tension Bolt Hole
- 24 - Tilt Lock Pin
- 25 - Anti-Corrosion Plate
- 26 - Water Intake
- 27 - Drain Hole
- 28 - Gear Housing
- 29 - Electrical Harness
- 30 - Lubricant Vent Screw
- 31 - Lubricant Fill Plug
- 32 - Speedometer Pickup



12881

2 (ENGLISH)

1970 Mercury 500 50hp Service Manual

JE Gale



1970 Mercury 500 50hp Service Manual:

Seloc Mercury Outboards 1965-89 Repair Manual Joan Coles, Clarence W. Coles, 1998 *MotorBoating* ,1969-10
Cars & Parts ,1981 **Special-interest Autos** ,1974 Road and Track ,1975 Old Car Value Guide ,1977 *The Rudder* Thomas Fleming Day,1975 **The Rudder** ,1975 **Road & Track** ,1975-02 Bibliography of Nautical Books
Alan Obin,1999 Farmers and Consumers Market Bulletin ,2007 **The Waterways Journal** ,1983-04 Mercury and Mariner Outboards Service Manual Brunswick Corporation. Mercury Marine,1995 **Mercury and Mercury/Mariner Outboards Service Manual** Brunswick Corporation. Mercury Marine,198? *Mercury Outboards Service Manual, Models 50, 70* ,1980 Mercury Outboards Service Manual Mercury Marine,1980 **Mercury Outboards Service Manual** Mercury Marine,1979 Mercury Outboards Service Manual Mercury Marine,1984 Service Manual ,1978 Service Manual ,1984

Whispering the Strategies of Language: An Mental Journey through **1970 Mercury 500 50hp Service Manual**

In a digitally-driven earth where displays reign supreme and quick conversation drowns out the subtleties of language, the profound strategies and psychological nuances hidden within phrases usually get unheard. Yet, nestled within the pages of **1970 Mercury 500 50hp Service Manual** a fascinating fictional value pulsating with raw emotions, lies an extraordinary journey waiting to be undertaken. Published by an experienced wordsmith, this charming opus invites readers on an introspective trip, delicately unraveling the veiled truths and profound affect resonating within ab muscles cloth of each word. Within the emotional depths with this poignant evaluation, we shall embark upon a honest exploration of the book is key themes, dissect their fascinating writing style, and yield to the strong resonance it evokes heavy within the recesses of readers hearts.

https://netdata.businesstraveller.com/results/Resources/index.jsp/what_does_a_scholarship_essay_look_like.pdf

Table of Contents 1970 Mercury 500 50hp Service Manual

1. Understanding the eBook 1970 Mercury 500 50hp Service Manual
 - The Rise of Digital Reading 1970 Mercury 500 50hp Service Manual
 - Advantages of eBooks Over Traditional Books
2. Identifying 1970 Mercury 500 50hp Service Manual
 - Exploring Different Genres
 - Considering Fiction vs. Non-Fiction
 - Determining Your Reading Goals
3. Choosing the Right eBook Platform
 - Popular eBook Platforms
 - Features to Look for in an 1970 Mercury 500 50hp Service Manual
 - User-Friendly Interface
4. Exploring eBook Recommendations from 1970 Mercury 500 50hp Service Manual
 - Personalized Recommendations

- 1970 Mercury 500 50hp Service Manual User Reviews and Ratings
- 1970 Mercury 500 50hp Service Manual and Bestseller Lists
- 5. Accessing 1970 Mercury 500 50hp Service Manual Free and Paid eBooks
 - 1970 Mercury 500 50hp Service Manual Public Domain eBooks
 - 1970 Mercury 500 50hp Service Manual eBook Subscription Services
 - 1970 Mercury 500 50hp Service Manual Budget-Friendly Options
- 6. Navigating 1970 Mercury 500 50hp Service Manual eBook Formats
 - ePub, PDF, MOBI, and More
 - 1970 Mercury 500 50hp Service Manual Compatibility with Devices
 - 1970 Mercury 500 50hp Service Manual Enhanced eBook Features
- 7. Enhancing Your Reading Experience
 - Adjustable Fonts and Text Sizes of 1970 Mercury 500 50hp Service Manual
 - Highlighting and Note-Taking 1970 Mercury 500 50hp Service Manual
 - Interactive Elements 1970 Mercury 500 50hp Service Manual
- 8. Staying Engaged with 1970 Mercury 500 50hp Service Manual
 - Joining Online Reading Communities
 - Participating in Virtual Book Clubs
 - Following Authors and Publishers 1970 Mercury 500 50hp Service Manual
- 9. Balancing eBooks and Physical Books 1970 Mercury 500 50hp Service Manual
 - Benefits of a Digital Library
 - Creating a Diverse Reading Collection 1970 Mercury 500 50hp Service Manual
- 10. Overcoming Reading Challenges
 - Dealing with Digital Eye Strain
 - Minimizing Distractions
 - Managing Screen Time
- 11. Cultivating a Reading Routine 1970 Mercury 500 50hp Service Manual
 - Setting Reading Goals 1970 Mercury 500 50hp Service Manual
 - Carving Out Dedicated Reading Time
- 12. Sourcing Reliable Information of 1970 Mercury 500 50hp Service Manual
 - Fact-Checking eBook Content of 1970 Mercury 500 50hp Service Manual

- Distinguishing Credible Sources
- 13. Promoting Lifelong Learning
 - Utilizing eBooks for Skill Development
 - Exploring Educational eBooks
- 14. Embracing eBook Trends
 - Integration of Multimedia Elements
 - Interactive and Gamified eBooks

1970 Mercury 500 50hp Service Manual Introduction

1970 Mercury 500 50hp Service Manual Offers over 60,000 free eBooks, including many classics that are in the public domain. Open Library: Provides access to over 1 million free eBooks, including classic literature and contemporary works. 1970 Mercury 500 50hp Service Manual Offers a vast collection of books, some of which are available for free as PDF downloads, particularly older books in the public domain. 1970 Mercury 500 50hp Service Manual : This website hosts a vast collection of scientific articles, books, and textbooks. While it operates in a legal gray area due to copyright issues, its a popular resource for finding various publications. Internet Archive for 1970 Mercury 500 50hp Service Manual : Has an extensive collection of digital content, including books, articles, videos, and more. It has a massive library of free downloadable books. Free-eBooks 1970 Mercury 500 50hp Service Manual Offers a diverse range of free eBooks across various genres. 1970 Mercury 500 50hp Service Manual Focuses mainly on educational books, textbooks, and business books. It offers free PDF downloads for educational purposes. 1970 Mercury 500 50hp Service Manual Provides a large selection of free eBooks in different genres, which are available for download in various formats, including PDF. Finding specific 1970 Mercury 500 50hp Service Manual, especially related to 1970 Mercury 500 50hp Service Manual, might be challenging as theyre often artistic creations rather than practical blueprints. However, you can explore the following steps to search for or create your own Online Searches: Look for websites, forums, or blogs dedicated to 1970 Mercury 500 50hp Service Manual, Sometimes enthusiasts share their designs or concepts in PDF format. Books and Magazines Some 1970 Mercury 500 50hp Service Manual books or magazines might include. Look for these in online stores or libraries. Remember that while 1970 Mercury 500 50hp Service Manual, sharing copyrighted material without permission is not legal. Always ensure youre either creating your own or obtaining them from legitimate sources that allow sharing and downloading. Library Check if your local library offers eBook lending services. Many libraries have digital catalogs where you can borrow 1970 Mercury 500 50hp Service Manual eBooks for free, including popular titles. Online Retailers: Websites like Amazon, Google Books, or Apple Books often sell eBooks. Sometimes, authors or publishers offer promotions or free periods for

certain books. Authors Website Occasionally, authors provide excerpts or short stories for free on their websites. While this might not be the 1970 Mercury 500 50hp Service Manual full book, it can give you a taste of the authors writing style. Subscription Services Platforms like Kindle Unlimited or Scribd offer subscription-based access to a wide range of 1970 Mercury 500 50hp Service Manual eBooks, including some popular titles.

FAQs About 1970 Mercury 500 50hp Service Manual Books

How do I know which eBook platform is the best for me? Finding the best eBook platform depends on your reading preferences and device compatibility. Research different platforms, read user reviews, and explore their features before making a choice. Are free eBooks of good quality? Yes, many reputable platforms offer high-quality free eBooks, including classics and public domain works. However, make sure to verify the source to ensure the eBook credibility. Can I read eBooks without an eReader? Absolutely! Most eBook platforms offer web-based readers or mobile apps that allow you to read eBooks on your computer, tablet, or smartphone. How do I avoid digital eye strain while reading eBooks? To prevent digital eye strain, take regular breaks, adjust the font size and background color, and ensure proper lighting while reading eBooks. What the advantage of interactive eBooks? Interactive eBooks incorporate multimedia elements, quizzes, and activities, enhancing the reader engagement and providing a more immersive learning experience. 1970 Mercury 500 50hp Service Manual is one of the best book in our library for free trial. We provide copy of 1970 Mercury 500 50hp Service Manual in digital format, so the resources that you find are reliable. There are also many Ebooks of related with 1970 Mercury 500 50hp Service Manual. Where to download 1970 Mercury 500 50hp Service Manual online for free? Are you looking for 1970 Mercury 500 50hp Service Manual PDF? This is definitely going to save you time and cash in something you should think about.

Find 1970 Mercury 500 50hp Service Manual :

[what does a scholarship essay look like](#)

earth science if8755

2008 altima coupe manual

04 international 4300 air brake repair manual

[volvo penta service training manual](#)

[manual alfa romeo 147 jtd](#)

[vespa gts 250 i e 2007 onwards service repair manual](#)

audi a6 manual vs automatic

[user manual tcm fd 25](#)

topcon instruction manual gpt 6003

tranforming quadratics kuta

walther ppk s co2 bb gun owners manual

[fishermen and fishing ways](#)

[1994 audi 100 timing belt manual](#)

[2003 dodge caravan town country diesel service manual](#)

1970 Mercury 500 50hp Service Manual :

Bentley Service Manual - Volvo 240 1981 to 1993 - L293 Specifically covers 1983-1993 model years both turbo and non-turbo, but is very useful for earlier models as well. About Bentley. Volvo 240 Service Manual: 1983, 1984, 1985, 1986, 1987 ... The Volvo 240 Service Manual: 1983-1993 is a comprehensive source of service information and specifications for Volvo 240 and other Volvo 200-series cars ... The - Volvo 240 Service Manual: 1983-1993 Though the do-it-yourself Volvo owner will find this manual indispensable as a source of detailed maintenance and repair information, even the Volvo owner who ... Volvo 240 Service Manual: 1983-1993 Jul 23, 2011 — Looking for a download of a Volvo 240 Service Manual: 1983-1993. If you can help with my search it would be much appreciated. Volvo 240 Service Manual 1983, 1984, 1985, ... - Amazon This Volvo service manual from Robert Bentley, is the only comprehensive single source of service information and specifications available for Volvo 240 ... Volvo Bentley Repair Service Manual - Bentley L293 Whether you're a professional technician or a do-it-yourself Volvo owner, this manual will help you understand, maintain, and repair systems on the Volvo 240. Bentley Service Manual, Volvo 240 1983-1993 The Volvo 240 Service Manual: 1983-1993 is a comprehensive source of service information and specifications for Volvo 240 and other Volvo 200-series cars ... Bentley VOLVO 240 Service Manual 83-93 V08000293 Find many great new & used options and get the best deals for Bentley VOLVO 240 Service Manual 83-93 V08000293 at the best online prices at eBay! Volvo 240 Service Manual 1983 Through 1993 This Volvo service manual from Robert Bentley, is the only comprehensive single source of service information and specifications available for Volvo 240 ... Volvo 240 Service Manual: 1983, 1984, 1985, 1986, 1987, ... Volvo 200-series and 240 models covered in this repair manual: 1983-1985 - DL ... Volvo 240 Service Manual (Hardcover). Bentley Publishers. Published by Bentley ... dahao-a15-user-manual.pdf Danger. Don't operate the machine when there is any damage on the shelter of the running parts. Forbidden. When machine is running, do not touch any running ... Dahao Embroidery Machine Spare Parts Chinese DAHAO embroidery

machine spare parts 4 6 9 12 needle Tension base case assy set thread guide THREAD TENSION BOX. \$1.00 - \$10.00. Min. order: 1.0 set. Suitable For Dahao Electronic Control China Embroidery ... Nov 2, 2023 — Suitable For Dahao Electronic Control China Embroidery Machine Parts ... Manual Shaving Razor Germany X6 Blade with Trimmer. US \$12.83. 1,000+ ... China embroidery machine spare parts - Original Dahao ... Buy China embroidery machine spare parts - Original Dahao operation box model BECS-316 control panel / electronic spare parts at Aliexpress for . BECS-C88 Owners Manual Prodigy Avance Highland ... Find many great new & used options and get the best deals for BECS-C88 Owners Manual Prodigy Avance Highland Dahao Embroidery Machine at the best online ... Buy Embroidery Machine Spare Parts And Accessories ... Buy Embroidery Machine Spare Parts And Accessories DAHAO Brand Computer Motherboard E8860B Online. €828.00. 299 in stock. Buy Embroidery Machine Spare Parts ... dahao E890 main board ,CPU board, 3X6 motherboard Dahao E890 main board. Fit for dahao BECS-3X6 computer. More dahao embroidery computer boards here : (1):322 series: E620(main card),E9102(power supply ... BECS-528 Computerized Embroidery Machine's Manual I Chapter 2 Names of Parts on Electrical Control System ... (5) Dahao computerized embroidery machine(at present, this function is supported by. DAHAO BECS-D16 OWNER'S MANUAL Pdf Download View and Download DAHAO BECS-D16 owner's manual online. Computerized Control System for Embroidery Machine. BECS-D16 sewing machine pdf manual download. 1242 angel number This number also represents new beginnings fresh starts and positive change. So if you see the 1242 angel number it's a reminder to get clear on what you ... Chrome Music Lab These tools make it easier for coders to build new interactive music experiences. You can get the open-source code to lots of these experiments here on Github. New Beginnings An Evening of Luv - The luv u Project This private golf club has a rich history in the Washington DC area and has been open since the 1920's. Congressional has been home to many PGA Tour events over ... @COACHPRIME (@deionsanders) • Instagram photos and ... I'm in my Purpose: Head Coach @cubuffsfootball "I Ain't Hard 2 Find" Rep: @smacentertainment · keychain.club/DeionSanders. AD (@iitsad) • Instagram photos and videos I stand with my brothers forever new beginnings new blessings tune in to our new Show ... Thank you everybody & see you tonight @figgmunityworld. Me, @otgenesis ... MSU Libraries: Home To obtain items located on 4 East, please place an online request for the item to be paged for you using the 'Place Request' button in the catalog. Please visit ... Cycle Car Age and Ignition, Carburetion, Lubrication