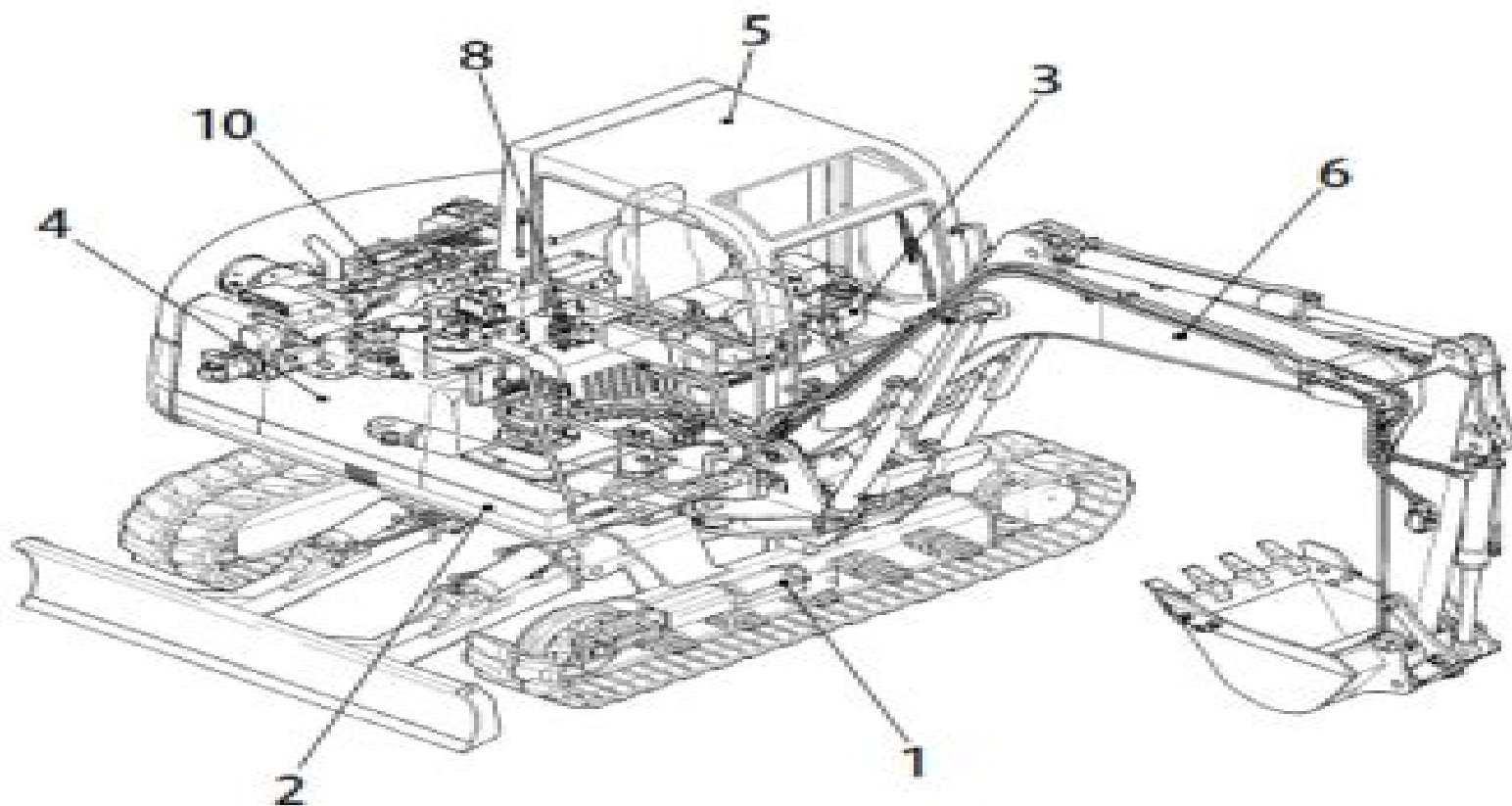


TB070

Book No. PL1-101Z5

Serial No. 1703004-1705487



TAIKELUCHI

Takeuchi Tb070 Service Manual

RS Peters



Takeuchi Tb070 Service Manual:

Toyota Starlet Owners Workshop Manual John Harold Haynes, Andrew Kirk Legg, 1985 Service Manual Diamond T Motor Car Company. Service Dept, 1948 **Toyota Starlet Owners Workshop Manual** Tom Schauwecker, 1981
Service Manual ,1972 **Service Manual** Caterpillar Tractor Company (U.S.A), 1983 Technical Service Manual ,
Service Repair Manual David Brown Tractors Ltd, 1979 EXPO Mitsubishi Jidōsha Kōgyō Kabushiki Kaisha, 1995
Hino GD17 Ltd. Overseas Operations Service Division Hino Motors, **Engine D 100, TD 100** ,1974 *Suzuki Service Manual* Suzuki Jidōsha Kōgyō Kabushiki Kaisha. Export Service Section, 1974 **Service Manual** Motor Co. Ltd Nissan, 197? **Service Manual** ,1968 **Service manual for HD series diesel tractors** Allis-Chalmers Manufacturing Company. Industrial Service Department. Tractor Division, 194? **Repair/Service Manuals, Transmission** ,1959
Truck Service Manual ,1999 **Suzuki Service Manual, Model TS250R**. Suzuki Jidōsha Kōgyō Kabushiki Kaisha. Export Service Section, 1971 **Technical Service Manual 1941-1948** Nash motors, 1948 **Service Manual: Transmission, 554/644, 744/844, 844S**. International Harvester Company, 1977 **Suzuki Carry Truck Electrical Service Manual Db52t Da52t** James Danko, 2017-05-03 SUZUKI CARRY TRUCK Electrical Service Manual for 4WD DB52T 2WD DA52T Series Trucks Complete English Factory Electrical Service Manual Covers the entire vehicle including EPI Fuel Injection models Turbocharged models and early model Carbureted versions This complete manual also covers all options including Air conditioning Electrical Power Steering DUMP and AIRBAG systems Easy to follow diagrams includes all individual circuits with easy to follow diagrams Whether you are a Pro or Home Mechanic this easy to follow manual is a must for troubleshooting electrical problems

Unveiling the Power of Verbal Art: An Mental Sojourn through **Takeuchi Tb070 Service Manual**

In some sort of inundated with monitors and the cacophony of instantaneous communication, the profound energy and emotional resonance of verbal art frequently fade in to obscurity, eclipsed by the continuous barrage of noise and distractions. However, set within the musical pages of **Takeuchi Tb070 Service Manual**, a charming perform of fictional brilliance that impulses with natural thoughts, lies an wonderful journey waiting to be embarked upon. Composed with a virtuoso wordsmith, this magical opus manuals viewers on an emotional odyssey, lightly revealing the latent potential and profound affect embedded within the intricate web of language. Within the heart-wrenching expanse of the evocative evaluation, we shall embark upon an introspective exploration of the book is key themes, dissect their charming writing style, and immerse ourselves in the indelible impact it leaves upon the depths of readers souls.

https://netdata.businesstraveller.com/files/browse/default.aspx/Larcheologie_Davant_Lhistoire.pdf

Table of Contents Takeuchi Tb070 Service Manual

1. Understanding the eBook Takeuchi Tb070 Service Manual
 - The Rise of Digital Reading Takeuchi Tb070 Service Manual
 - Advantages of eBooks Over Traditional Books
2. Identifying Takeuchi Tb070 Service Manual
 - Exploring Different Genres
 - Considering Fiction vs. Non-Fiction
 - Determining Your Reading Goals
3. Choosing the Right eBook Platform
 - Popular eBook Platforms
 - Features to Look for in an Takeuchi Tb070 Service Manual
 - User-Friendly Interface
4. Exploring eBook Recommendations from Takeuchi Tb070 Service Manual
 - Personalized Recommendations

- Takeuchi Tb070 Service Manual User Reviews and Ratings
- Takeuchi Tb070 Service Manual and Bestseller Lists
- 5. Accessing Takeuchi Tb070 Service Manual Free and Paid eBooks
 - Takeuchi Tb070 Service Manual Public Domain eBooks
 - Takeuchi Tb070 Service Manual eBook Subscription Services
 - Takeuchi Tb070 Service Manual Budget-Friendly Options
- 6. Navigating Takeuchi Tb070 Service Manual eBook Formats
 - ePub, PDF, MOBI, and More
 - Takeuchi Tb070 Service Manual Compatibility with Devices
 - Takeuchi Tb070 Service Manual Enhanced eBook Features
- 7. Enhancing Your Reading Experience
 - Adjustable Fonts and Text Sizes of Takeuchi Tb070 Service Manual
 - Highlighting and Note-Taking Takeuchi Tb070 Service Manual
 - Interactive Elements Takeuchi Tb070 Service Manual
- 8. Staying Engaged with Takeuchi Tb070 Service Manual
 - Joining Online Reading Communities
 - Participating in Virtual Book Clubs
 - Following Authors and Publishers Takeuchi Tb070 Service Manual
- 9. Balancing eBooks and Physical Books Takeuchi Tb070 Service Manual
 - Benefits of a Digital Library
 - Creating a Diverse Reading Collection Takeuchi Tb070 Service Manual
- 10. Overcoming Reading Challenges
 - Dealing with Digital Eye Strain
 - Minimizing Distractions
 - Managing Screen Time
- 11. Cultivating a Reading Routine Takeuchi Tb070 Service Manual
 - Setting Reading Goals Takeuchi Tb070 Service Manual
 - Carving Out Dedicated Reading Time
- 12. Sourcing Reliable Information of Takeuchi Tb070 Service Manual
 - Fact-Checking eBook Content of Takeuchi Tb070 Service Manual

- Distinguishing Credible Sources
- 13. Promoting Lifelong Learning
 - Utilizing eBooks for Skill Development
 - Exploring Educational eBooks
- 14. Embracing eBook Trends
 - Integration of Multimedia Elements
 - Interactive and Gamified eBooks

Takeuchi Tb070 Service Manual Introduction

Free PDF Books and Manuals for Download: Unlocking Knowledge at Your Fingertips In today's fast-paced digital age, obtaining valuable knowledge has become easier than ever. Thanks to the internet, a vast array of books and manuals are now available for free download in PDF format. Whether you are a student, professional, or simply an avid reader, this treasure trove of downloadable resources offers a wealth of information, conveniently accessible anytime, anywhere. The advent of online libraries and platforms dedicated to sharing knowledge has revolutionized the way we consume information. No longer confined to physical libraries or bookstores, readers can now access an extensive collection of digital books and manuals with just a few clicks. These resources, available in PDF, Microsoft Word, and PowerPoint formats, cater to a wide range of interests, including literature, technology, science, history, and much more. One notable platform where you can explore and download free Takeuchi Tb070 Service Manual PDF books and manuals is the internet's largest free library. Hosted online, this catalog compiles a vast assortment of documents, making it a veritable goldmine of knowledge. With its easy-to-use website interface and customizable PDF generator, this platform offers a user-friendly experience, allowing individuals to effortlessly navigate and access the information they seek. The availability of free PDF books and manuals on this platform demonstrates its commitment to democratizing education and empowering individuals with the tools needed to succeed in their chosen fields. It allows anyone, regardless of their background or financial limitations, to expand their horizons and gain insights from experts in various disciplines. One of the most significant advantages of downloading PDF books and manuals lies in their portability. Unlike physical copies, digital books can be stored and carried on a single device, such as a tablet or smartphone, saving valuable space and weight. This convenience makes it possible for readers to have their entire library at their fingertips, whether they are commuting, traveling, or simply enjoying a lazy afternoon at home. Additionally, digital files are easily searchable, enabling readers to locate specific information within seconds. With a few keystrokes, users can search for keywords, topics, or phrases, making research and finding relevant information a breeze. This efficiency saves time and effort, streamlining the learning process and allowing individuals to focus on extracting the

information they need. Furthermore, the availability of free PDF books and manuals fosters a culture of continuous learning. By removing financial barriers, more people can access educational resources and pursue lifelong learning, contributing to personal growth and professional development. This democratization of knowledge promotes intellectual curiosity and empowers individuals to become lifelong learners, promoting progress and innovation in various fields. It is worth noting that while accessing free Takeuchi Tb070 Service Manual PDF books and manuals is convenient and cost-effective, it is vital to respect copyright laws and intellectual property rights. Platforms offering free downloads often operate within legal boundaries, ensuring that the materials they provide are either in the public domain or authorized for distribution. By adhering to copyright laws, users can enjoy the benefits of free access to knowledge while supporting the authors and publishers who make these resources available. In conclusion, the availability of Takeuchi Tb070 Service Manual free PDF books and manuals for download has revolutionized the way we access and consume knowledge. With just a few clicks, individuals can explore a vast collection of resources across different disciplines, all free of charge. This accessibility empowers individuals to become lifelong learners, contributing to personal growth, professional development, and the advancement of society as a whole. So why not unlock a world of knowledge today? Start exploring the vast sea of free PDF books and manuals waiting to be discovered right at your fingertips.

FAQs About Takeuchi Tb070 Service Manual Books

How do I know which eBook platform is the best for me? Finding the best eBook platform depends on your reading preferences and device compatibility. Research different platforms, read user reviews, and explore their features before making a choice. Are free eBooks of good quality? Yes, many reputable platforms offer high-quality free eBooks, including classics and public domain works. However, make sure to verify the source to ensure the eBook credibility. Can I read eBooks without an eReader? Absolutely! Most eBook platforms offer web-based readers or mobile apps that allow you to read eBooks on your computer, tablet, or smartphone. How do I avoid digital eye strain while reading eBooks? To prevent digital eye strain, take regular breaks, adjust the font size and background color, and ensure proper lighting while reading eBooks. What the advantage of interactive eBooks? Interactive eBooks incorporate multimedia elements, quizzes, and activities, enhancing the reader engagement and providing a more immersive learning experience. Takeuchi Tb070 Service Manual is one of the best book in our library for free trial. We provide copy of Takeuchi Tb070 Service Manual in digital format, so the resources that you find are reliable. There are also many Ebooks of related with Takeuchi Tb070 Service Manual. Where to download Takeuchi Tb070 Service Manual online for free? Are you looking for Takeuchi Tb070 Service Manual PDF? This is definitely going to save you time and cash in something you should think about.

Find Takeuchi Tb070 Service Manual :

[larcheologie davant lhistoire](#)

[aquarius horoscope 2015](#)

ballast study manual

la chartreuse de parme

suzuki every van service manual

~~lamborghini service manual~~

~~mercuriser alpha one mr manual~~

link belt hc 238h manual

[zoology model exam paper bsc first semester](#)

[american odyssey textbook answers](#)

[honey and the hired hand](#)

[firm heart and capacious mind the life and friends of etienne dumont](#)

[john w mccooy american painter commentary by christopher crosman and andrew wyeth](#)

key of ice and steel keys to paradise 3

methematics n4 april 2014 memo

Takeuchi Tb070 Service Manual :

ragan chapter 04 el attar vilalta studocu - Apr 30 2022

web microeconomic analysis and applications econ 208 429 documents students shared 429 documents in this course

academic year 2019 2020 uploaded by as ann st 381 mcgill university 429 documents go to course 105 econ 208 final study

guide microeconomic analysis and applications 100 51 8

syllabus of econ 208 microeconomics mcgill university - Feb 09 2023

web mcgill university course microeconomic analysis and applications econ 208 listed books microeconomics

macroeconomics fourteenth canadian edition microeconomics fifteenth canadian edition microeconomics sixteenth canadian

edition loose leaf version uploaded by

midterm questions mcgill university faculty of arts - Jun 01 2022

web mcgill university faculty of arts examination economics 208 section 003 fall 2016 microeconomic analysis and

applications exam version examiner professor

econ 208 microeconomic analysis and applications mcgill university - Aug 03 2022

web reinforce and practice the skills learned with step by step support from our best tutors in econ 208 microeconomic analysis and applications mcgill university helping you achieve your maximum potential this is a complete revision guide that covers everything for the course providing a comprehensive evaluation of all examinable topics

econ208 section 003 microeconomic analysis mcgill university - Aug 15 2023

web this 3 credit microeconomics course focuses on the behaviour of individual economic units individual markets individual consumers individual firms it examines the choices that consumers and firms face how different market structures respond to these choices and when how why government intervention may or may not be desirable for society

mcgill microeconomic analysis and applications studocu - Sep 16 2023

web microeconomics fifteenth canadian edition christopher t s ragan show all 4 books studying econ 208 microeconomic analysis and applications at mcgill university on studocu you will find 273 lecture notes 72 practice materials 50 summaries and

admissions economics mcgill university - Mar 30 2022

web all supplemental application material and supporting documents must be uploaded directly to the mcgill admissions processing system see the future graduate students webpage for information and instructions please note that the department only accepts applications for september registration you should apply early and arrange for all

micro economics mcgill university - Oct 05 2022

web micro exam 2014 micro exam 2015 micro exam 2016 micro exam 2017 micro exam 2018 micro exam 2019 micro exam 2020 micro exam 2021 micro exam 2022

econ 208 microeconomic analysis and applications 3 credits - Oct 17 2023

web terms fall 2023 winter 2024 instructors xue licun dickinson paul fall el attar vilalta mayssun winter restriction not open to students who have taken or are taking mgcr 293 econ 230 or econ 250 this course may be used as a required or complementary course in the following programs

ragan chapter 01 econ208 chapter 1 economic issues and - Dec 07 2022

web microeconomic analysis and applications econ 208 429 documents students shared 429 documents in this course academic year 2019 2020 uploaded by do harris 103 mcgill university 429 documents go to course 105 econ 208 final study guide microeconomic analysis and applications 100 51 8

econ208 section 002 microeconomic analysis mcgill university - Nov 25 2021

web econ208 section 002 microeconomic analysis applications fall 2023 a about the course this 3 credit microeconomics course focuses on the behaviour of individual economic units individual markets individual consumers individual firms

econ 208 microeconomic analysis and applications 3 unités - Jan 08 2023

web Économie arts a university level introduction to demand and supply consumer behaviour production theory market structures and income distribution theory terms automne 2023 hiver 2024

econ 208 final study guide pdf lomoarcpd 5020836 econ - Jul 02 2022

web econ 208 microeconomic analysis and application study guide fall 2016 mcgill university equations chapter concept equation 2 index numbers index absolute value in a given period absolute value in a base period $\times 100$ 2 slope change in x change in y 3 market equilibrium $q_d = a - b p$ $q_s = c + d p$ where p the price at the

econ 208 syllabus microeconomic analysis amp applications - Apr 11 2023

web microeconomic analysis amp applications econ208 section 001 mayssun el attar mcgill university fall 2020 course description and objectives the course aims to introduce students to some basic economic principles and

course outline econ208 w2020 econ208 microeconomic analysis - Sep 04 2022

web professor paul dickinson paul dickinson mcgill ca a course content this 3 credit microeconomics course focuses on the behaviour of individual economic units individual markets individual consumers and individual firms it examines the choices that consumers and firms face how different market

econ208 microeconomic analysis applications mcgill university - Feb 26 2022

web econ208 microeconomic analysis applications mcgill university advances in biomedical engineering research and application 2012 edition dec 03 2022 advances in biomedical engineering research and application 2012 edition is a scholarly editions ebook that delivers timely authoritative and comprehensive information about

how to apply economics mcgill university - Dec 27 2021

web review the graduate programs review the department s admissions requirements complete the mcgill university online application form which includes a non refundable application fee payable by credit card the online application system opens october 3rd arrange to take the gre and or toefl tests or equivalent prior to the department s

syllabus econ 208 microeconomic analysis amp applications - May 12 2023

web econ208 outline syllabus preview text microeconomic analysis applications econ mayssun el attar mcgill university fall 2021 course description and objectives the course aims to introduce students to some basic economic principles and to show them how they can be applied

econ209 section 001 microeconomic analysis mcgill university - Jul 14 2023

web econ209 section 001 microeconomic analysis applications fall 2021 tuesday thursday 4 05 5 25 course registration number crn 2836 professor paul dickinson paul dickinson mcgill ca a about the course

mcgill university department of economics econ 208 001 microeconomic - Jun 13 2023

web mcgill university department of economics econ 208 001 microeconomic analysis applications 3 credits winter 2023
[econ 208 chapter 1 lecture notes 1 32 studocu](#) - Mar 10 2023

web microeconomic analysis and applications econ 208 lecture notes mc gill econ 208 lecture 1 2 chapter 3 notes econ208
econ208 chapt 1 4 lecture notes 1 4 chapter 10 monopoly cartels and price discrimination chapter 2 understanding interests
interactions and institutions econ 208 week 2 lecture notes 3 4

econ 209 macroeconomic analysis and applications mcgill university - Jan 28 2022

web econ 209 macroeconomic analysis and applications mcgill university a university level introduction to national income
determination money and banking inflation unemployment and economic policy prerequisites of econ 209 econ 208
[winter 2020 course outline econ208 microeconomic analysis](#) - Nov 06 2022

web econ208 microeconomic analysis amp applications section 001 tuesday amp thursday 4 05 5 25 adams auditorium
professor paul dickinson paul mcgill winter 2020

dk readers l4 amazing women discover inspiring life stories - Apr 18 2023

web dk readers l4 amazing women discover inspiring life stories ebook written by dk read this book using google play books
app on your pc android ios devices

[dk readers l4 amazing women discover inspiring life stories dk](#) - Mar 05 2022

web dk readers l4 amazing women discover inspiring life stories dk readers level 4 ebook dk amazon ca books

dk readers l4 amazing women penguin random house - Jul 21 2023

web from world leaders to explorers to writers artists and performers discover more than 40 women who changed the world
and celebrate them this women s history month with this level 4 dk reader amazing women will build reading skills while
teaching vocabulary and telling the stories of influential women like rosa parks amelia earhart and

dk readers level 4 penguin random house - Jun 20 2023

web dk readers l4 amazing women dk readers l4 star wars rogue one secret mission dk readers l4 spiders and other deadly
animals dk readers l4 big fantastic earth dk readers l4 lego ninjago team ninja dk readers black beauty dk readers l4 skate dk
readers l4 micromonsters

dk readers l4 amazing women dk ca - Oct 12 2022

web from world leaders to explorers to writers artists and performers discover more than 40 women who changed the world
and celebrate them this women s history month with this level 4 dk reader amazing women will build reading skills while
teaching vocabulary and telling the stories of influential w

dk readers l4 amazing women dk us - Sep 23 2023

web feb 7 2017 about dk readers l4 amazing women from world leaders to explorers to writers artists and performers

discover more than 40 women who changed the world and celebrate them this women s history month with this level 4 dk reader amazing women will build reading skills while teaching vocabulary and telling the stories of influential

dk readers l4 amazing women by dk penguin random - Aug 10 2022

web learn about more than 40 of the most influential women who have left their mark on the world in amazing women a level 4 nonfiction reader featuring photographs diagrams fun facts and strong visual clues

dk readers l4 amazing women 9781465457684 - Jun 08 2022

web dk readers l4 amazing women discover inspiring life stories is written by and published by dk children the digital and etextbook isbn for dk readers l4 amazing women are 9781465464606 1465464603 and the print isbn is 9781465457684 1465457682 save up to 80 versus print by going digital with vitalsource

dk readers l4 amazing women apple books - Jan 15 2023

web feb 7 2017 from world leaders to explorers to writers artists and performers discover more than 40 women who changed the world in amazing women this level 4 dk reader will build reading skills while teaching vocabulary and telling the stories of influential women like rosa parks a

dk readers l4 amazing women discover inspiring life stories dk - Mar 17 2023

web feb 7 2017 amazing women will build reading skills while teaching vocabulary and telling the stories of influential women like rosa parks amelia earhart and marie curie and highlighting important historical moments in women s history like the women s rights convention in seneca falls approaching human rights and gender equality from an age

dk readers l4 amazing women dk learning - Aug 22 2023

web from world leaders to explorers to writers artists and performers discover more than 40 women who changed the world and celebrate them this wome

dk readers l4 amazing women discover inspiring life stories - Jul 09 2022

web dk readers l4 amazing women discover inspiring life stories dk amazon ca books

dk readers l4 amazing women discover inspiring life stories dk - Nov 13 2022

web feb 7 2017 dk readers l4 amazing women discover inspiring life stories dk readers level 4 kindle edition by dk download it once and read it on your kindle device pc phones or tablets

level 4 dk us - Apr 06 2022

web learn to read level 4 42 results hide preorders dk readers l4 robot universe robot universe takes the reader on a discovery of fasci 14 99 dk readers l4 star wars rogue one secret mission dk reader l4 star wars rogue one combines dk s four l 2 99 dk readers l4 amazing women

dk readers dk us - Feb 04 2022

web dk readers l4 amazing women from world leaders to explorers to writers artists an

dk readers l4 amazing women penguin random house - Feb 16 2023

web feb 7 2017 learn about more than 40 of the most influential women who have left their mark on the world in amazing women a level 4 nonfiction reader featuring photographs diagrams fun facts and strong visual clues

dk readers l4 amazing women discover inspiring life stories dk - May 19 2023

web feb 7 2017 amazing women will build reading skills while teaching vocabulary and telling the stories of influential women like rosa parks amelia earhart and marie curie and highlighting important historical moments in women s history like the women s rights convention in seneca falls approaching human rights and gender equality from an age

9781465457684 dk readers l4 amazing women discover - Dec 14 2022

web dk readers l4 amazing women discover inspiring life stories dk readers level 4 dk 4 05 avg rating 37 ratings by goodreads softcover isbn 10 1465457682 isbn 13 9781465457684 publisher dk children 2017

dk readers l4 amazing women discover inspiring life stories - May 07 2022

web dk readers l4 amazing women discover inspiring life stories dk amazon ca books

dk readers l4 amazing women abebooks - Sep 11 2022

web dk readers l4 amazing women discover inspiring life stories dk readers level 4 by dk and a great selection of related books art and collectibles available now at abebooks com

understanding human differences multicultural education for a - Jan 07 2023

web feb 13 2013 in understanding human differences readers are introduced to sound research grounded in various behavioral and social sciences while featuring a stimulating inquiry approach to support reflection on issues of critical importance in multicultural education in today s diverse society

pearson etext for understanding human differences multicultural - Jul 01 2022

web jan 2 2019 pearson etext for understanding human differences multicultural education for a diverse america access card 6th edition by kent koppelman author 4 1 27 ratings see all formats and editions book supplement this isbn is for the enhanced pearson etext access card

understanding human differences pearson - Oct 16 2023

web title understanding human differences multicultural education for a diverse america kent l koppelman professor emeritus university of wisconsin la crosse description sixth edition boston pearson education 2018

understanding human differences multicultural education for a - Nov 05 2022

web understanding human differences multicultural education for a diverse america mylabschool edition now available in paperback one of the best short books we have on the ideas of racial equality george bornstein times literary supplement in

this assessment of martin luther king jr s famous 1963 speech eric j sundquist explores

understanding human differences multicultural education for a - Aug 02 2022

web mar 17 2007 section 1 individual attitudes and interpersonal relations 1 understanding ourselves and others clarifying values and language 2 understanding prejudice and its causes 3 communication conflict and conflict resolution section 2 cultural foundations of oppression in the united states 4

understanding human differences multicultural education for a - May 31 2022

web understanding human differences multicultural education for a diverse america koppelman kent l goodhart r lee free download borrow and streaming internet archive

understanding human differences by koppelman kent l - Mar 09 2023

web feb 1 2019 understanding human differences multicultural education for a diverse america is an incredibly useful tool for helping students develop conceptual understanding about complex and emotionally charged issues of diversity in today s world

understanding human differences multicultural education for a - Mar 29 2022

web understanding human differences multicultural education for a diverse america authors kent l koppelman r lee goodhart print book english 2011 edition 3rd ed view all formats and editions publisher pearson allyn bacon boston ma 2011 show more information

understanding human differences multicultural education for a - Jun 12 2023

web jan 14 2016 understanding human differences multicultural education for a diverse america loose leaf version kent l koppelman pearson education jan 14 2016 discrimination 400 pages note this is the loose leaf version of understanding human differences and does not include access to the enhanced pearson etext

understanding human differences multicultural education for - Dec 06 2022

web understanding human differences multicultural education for a diverse america is an incredibly useful tool for helping students develop conceptual understanding about complex and emotionally charged issues of diversity in today s world

understanding human differences multicultural education for a - Feb 08 2023

web jan 25 2019 kent l koppelman ph d education 1979 la crosse wisconsin a champion of diversity and the author of understanding human differences kent koppelman is known for writing a lasting textbook that is read by college students in multicultural education classes throughout the u s

understanding human differences multicultural education for - Aug 14 2023

web sep 18 2020 1 understanding ourselves and others clarifying values and language 2 understanding prejudice and its causes 3 communication conflict and conflict resolution 4 immigration and oppression the assault on cultural and language

diversity 5 race and oppression the experiences of people of color 6

[understanding human differences multicultural education for](#) - Apr 29 2022

web understanding human differences multicultural education for a diverse america loose leaf version 5th edition by koppelman kent l isbn 10 0133949842 isbn 13 note this is the loose leaf version of understanding human differences and does not include access to the enhanced pearson etext

understanding human differences by koppelman kent - Sep 03 2022

web jan 25 2019 understanding human differences multicultural education for a diverse america plus pearson etext access card package 6th edition by kent koppelman author 4 3 17 ratings see all formats and editions paperback 101 99 2 used from 101 99 note before purchasing check with your instructor to ensure you select the correct isbn

[understanding human differences multicultural education for a](#) - Apr 10 2023

web jan 11 2016 understanding human differences multicultural education for a diverse america author kent l koppelman edition 5 publisher pearson education 2016 isbn 0133949761 9780133949766 length 408 pages subjects

[understanding human differences multicultural education for](#) - Jul 13 2023

web sep 18 2020 understanding human differences multicultural education for a diverse america 6th edition published by pearson september 17 2020 2020 kent l koppelman university of wisconsin lacrosse

understanding human differences by kent l koppelamn - Feb 25 2022

web jan 1 2008 understanding human differences multicultural education for a diverse america kent l koppelamn on amazon com free shipping on qualifying offers understanding human differences multicultural education for a diverse america

understanding human differences multicultural education for a - Oct 04 2022

web understanding ourselves and others clarifying values and language the role of values in human differences what is the relationship between a person s values and behaviors what inconsistencies exist between american values and american behaviors should parents rather than schools teach values to children

understanding human differences multicultural education for - May 11 2023

web sep 18 2020 understanding human differences multicultural education for a diverse america home understanding human differences multicultural education for a diverse america understanding human differences multicultural education for a diverse america 6th edition published by pearson september 17 2020 2020

pdf read online understanding human differences multicultural - Jan 27 2022

web apr 2 2022 understanding human differences multicultural education for a diverse america 6th edition link download in description simple step to read and download 1 create a free account 2 choose from our vast selection of

understanding human differences multicultural education for a - Sep 15 2023

web understanding human differences multicultural education for a diverse america kent koppelman pearson education 2020
education 410 pages a clear engaging look at the most critical

understanding human differences multicultural education for a - Dec 26 2021

web jan 2 2019 understanding human differences takes a clear engaging look at the most critical issues of diversity in the
21st century focusing on the interactions and intersections between culture the individual and institutions grounded in
research the text uses a question and answer format to bring the topics and issues to life isbn 13 978 0135196731