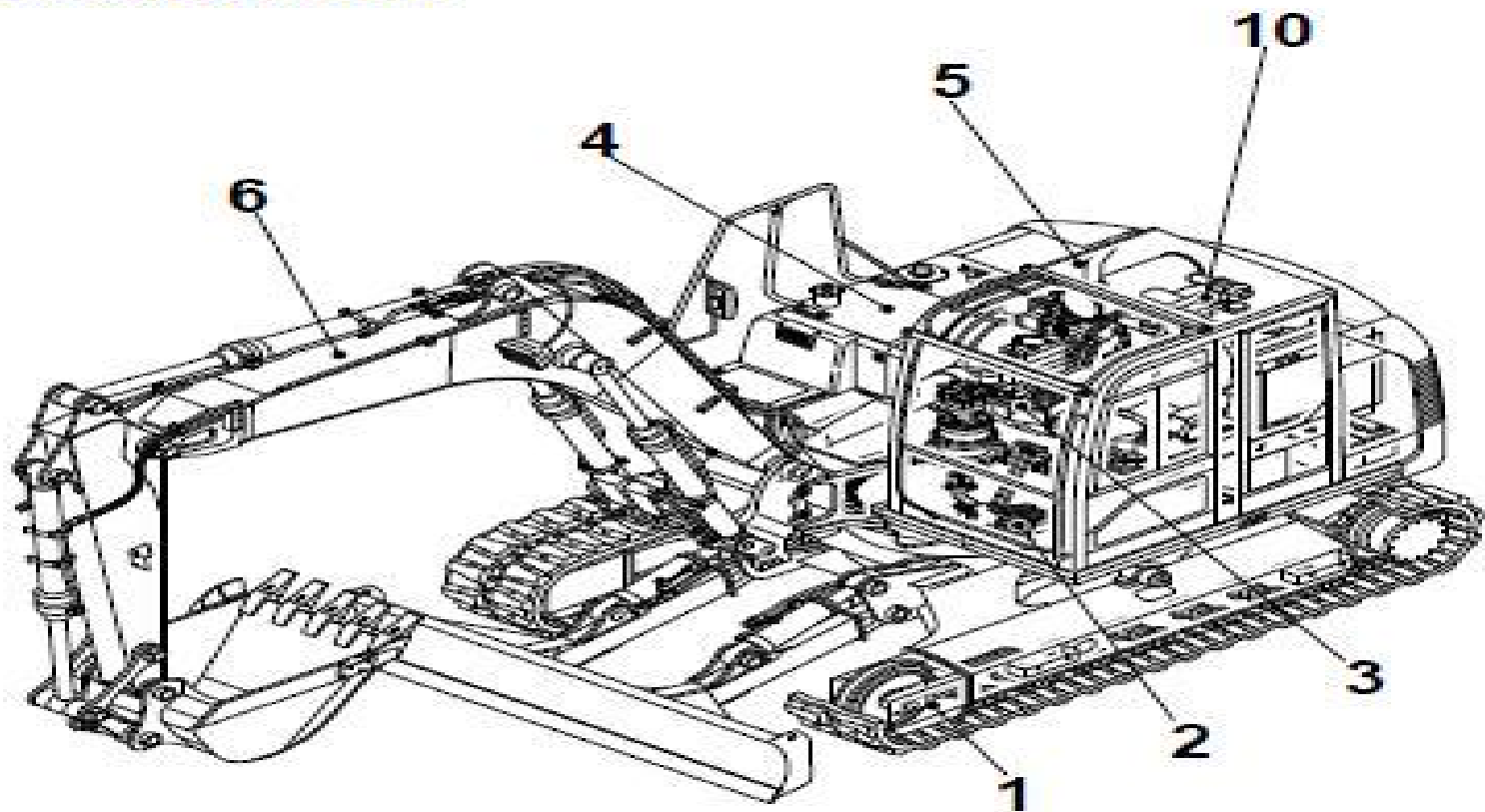


TB1140

Book No. BN0Z008
Serial No. 51400005-



TAKEUCHI

Takeuchi Tb1140 Compact Excavator Parts Manual Sn 51400005 And Up

Shasha Hu



Takeuchi Tb1140 Compact Excavator Parts Manual Sn 51400005 And Up:

Uncover the mysteries within Crafted by is enigmatic creation, **Takeuchi Tb1140 Compact Excavator Parts Manual Sn 51400005 And Up** . This downloadable ebook, shrouded in suspense, is available in a PDF format (Download in PDF: *). Dive into a world of uncertainty and anticipation. Download now to unravel the secrets hidden within the pages.

<https://netdata.businesstraveller.com/book/uploaded-files/fetch.php/8%20acura%20tsx%20repair%20manual.pdf>

Table of Contents Takeuchi Tb1140 Compact Excavator Parts Manual Sn 51400005 And Up

1. Understanding the eBook Takeuchi Tb1140 Compact Excavator Parts Manual Sn 51400005 And Up
 - The Rise of Digital Reading Takeuchi Tb1140 Compact Excavator Parts Manual Sn 51400005 And Up
 - Advantages of eBooks Over Traditional Books
2. Identifying Takeuchi Tb1140 Compact Excavator Parts Manual Sn 51400005 And Up
 - Exploring Different Genres
 - Considering Fiction vs. Non-Fiction
 - Determining Your Reading Goals
3. Choosing the Right eBook Platform
 - Popular eBook Platforms
 - Features to Look for in an Takeuchi Tb1140 Compact Excavator Parts Manual Sn 51400005 And Up
 - User-Friendly Interface
4. Exploring eBook Recommendations from Takeuchi Tb1140 Compact Excavator Parts Manual Sn 51400005 And Up
 - Personalized Recommendations
 - Takeuchi Tb1140 Compact Excavator Parts Manual Sn 51400005 And Up User Reviews and Ratings
 - Takeuchi Tb1140 Compact Excavator Parts Manual Sn 51400005 And Up and Bestseller Lists
5. Accessing Takeuchi Tb1140 Compact Excavator Parts Manual Sn 51400005 And Up Free and Paid eBooks
 - Takeuchi Tb1140 Compact Excavator Parts Manual Sn 51400005 And Up Public Domain eBooks
 - Takeuchi Tb1140 Compact Excavator Parts Manual Sn 51400005 And Up eBook Subscription Services
 - Takeuchi Tb1140 Compact Excavator Parts Manual Sn 51400005 And Up Budget-Friendly Options
6. Navigating Takeuchi Tb1140 Compact Excavator Parts Manual Sn 51400005 And Up eBook Formats

- ePub, PDF, MOBI, and More
 - Takeuchi Tb1140 Compact Excavator Parts Manual Sn 51400005 And Up Compatibility with Devices
 - Takeuchi Tb1140 Compact Excavator Parts Manual Sn 51400005 And Up Enhanced eBook Features
7. Enhancing Your Reading Experience
 - Adjustable Fonts and Text Sizes of Takeuchi Tb1140 Compact Excavator Parts Manual Sn 51400005 And Up
 - Highlighting and Note-Taking Takeuchi Tb1140 Compact Excavator Parts Manual Sn 51400005 And Up
 - Interactive Elements Takeuchi Tb1140 Compact Excavator Parts Manual Sn 51400005 And Up
 8. Staying Engaged with Takeuchi Tb1140 Compact Excavator Parts Manual Sn 51400005 And Up
 - Joining Online Reading Communities
 - Participating in Virtual Book Clubs
 - Following Authors and Publishers Takeuchi Tb1140 Compact Excavator Parts Manual Sn 51400005 And Up
 9. Balancing eBooks and Physical Books Takeuchi Tb1140 Compact Excavator Parts Manual Sn 51400005 And Up
 - Benefits of a Digital Library
 - Creating a Diverse Reading Collection Takeuchi Tb1140 Compact Excavator Parts Manual Sn 51400005 And Up
 10. Overcoming Reading Challenges
 - Dealing with Digital Eye Strain
 - Minimizing Distractions
 - Managing Screen Time
 11. Cultivating a Reading Routine Takeuchi Tb1140 Compact Excavator Parts Manual Sn 51400005 And Up
 - Setting Reading Goals Takeuchi Tb1140 Compact Excavator Parts Manual Sn 51400005 And Up
 - Carving Out Dedicated Reading Time
 12. Sourcing Reliable Information of Takeuchi Tb1140 Compact Excavator Parts Manual Sn 51400005 And Up
 - Fact-Checking eBook Content of Takeuchi Tb1140 Compact Excavator Parts Manual Sn 51400005 And Up
 - Distinguishing Credible Sources
 13. Promoting Lifelong Learning
 - Utilizing eBooks for Skill Development
 - Exploring Educational eBooks
 14. Embracing eBook Trends
 - Integration of Multimedia Elements
 - Interactive and Gamified eBooks

Takeuchi Tb1140 Compact Excavator Parts Manual Sn 51400005 And Up Introduction

Takeuchi Tb1140 Compact Excavator Parts Manual Sn 51400005 And Up Offers over 60,000 free eBooks, including many classics that are in the public domain. Open Library: Provides access to over 1 million free eBooks, including classic literature and contemporary works. Takeuchi Tb1140 Compact Excavator Parts Manual Sn 51400005 And Up Offers a vast collection of books, some of which are available for free as PDF downloads, particularly older books in the public domain. Takeuchi Tb1140 Compact Excavator Parts Manual Sn 51400005 And Up : This website hosts a vast collection of scientific articles, books, and textbooks. While it operates in a legal gray area due to copyright issues, its a popular resource for finding various publications. Internet Archive for Takeuchi Tb1140 Compact Excavator Parts Manual Sn 51400005 And Up : Has an extensive collection of digital content, including books, articles, videos, and more. It has a massive library of free downloadable books. Free-eBooks Takeuchi Tb1140 Compact Excavator Parts Manual Sn 51400005 And Up Offers a diverse range of free eBooks across various genres. Takeuchi Tb1140 Compact Excavator Parts Manual Sn 51400005 And Up Focuses mainly on educational books, textbooks, and business books. It offers free PDF downloads for educational purposes. Takeuchi Tb1140 Compact Excavator Parts Manual Sn 51400005 And Up Provides a large selection of free eBooks in different genres, which are available for download in various formats, including PDF. Finding specific Takeuchi Tb1140 Compact Excavator Parts Manual Sn 51400005 And Up, especially related to Takeuchi Tb1140 Compact Excavator Parts Manual Sn 51400005 And Up, might be challenging as theyre often artistic creations rather than practical blueprints. However, you can explore the following steps to search for or create your own Online Searches: Look for websites, forums, or blogs dedicated to Takeuchi Tb1140 Compact Excavator Parts Manual Sn 51400005 And Up, Sometimes enthusiasts share their designs or concepts in PDF format. Books and Magazines Some Takeuchi Tb1140 Compact Excavator Parts Manual Sn 51400005 And Up books or magazines might include. Look for these in online stores or libraries. Remember that while Takeuchi Tb1140 Compact Excavator Parts Manual Sn 51400005 And Up, sharing copyrighted material without permission is not legal. Always ensure youre either creating your own or obtaining them from legitimate sources that allow sharing and downloading. Library Check if your local library offers eBook lending services. Many libraries have digital catalogs where you can borrow Takeuchi Tb1140 Compact Excavator Parts Manual Sn 51400005 And Up eBooks for free, including popular titles. Online Retailers: Websites like Amazon, Google Books, or Apple Books often sell eBooks. Sometimes, authors or publishers offer promotions or free periods for certain books. Authors Website Occasionally, authors provide excerpts or short stories for free on their websites. While this might not be the Takeuchi Tb1140 Compact Excavator Parts Manual Sn 51400005 And Up full book , it can give you a taste of the authors writing style. Subscription Services Platforms like Kindle Unlimited or Scribd offer subscription-based access to a wide range of Takeuchi Tb1140 Compact Excavator Parts Manual Sn 51400005 And Up eBooks, including some popular titles.

FAQs About Takeuchi Tb1140 Compact Excavator Parts Manual Sn 51400005 And Up Books

1. Where can I buy Takeuchi Tb1140 Compact Excavator Parts Manual Sn 51400005 And Up books? Bookstores: Physical bookstores like Barnes & Noble, Waterstones, and independent local stores. Online Retailers: Amazon, Book Depository, and various online bookstores offer a wide range of books in physical and digital formats.
2. What are the different book formats available? Hardcover: Sturdy and durable, usually more expensive. Paperback: Cheaper, lighter, and more portable than hardcovers. E-books: Digital books available for e-readers like Kindle or software like Apple Books, Kindle, and Google Play Books.
3. How do I choose a Takeuchi Tb1140 Compact Excavator Parts Manual Sn 51400005 And Up book to read? Genres: Consider the genre you enjoy (fiction, non-fiction, mystery, sci-fi, etc.). Recommendations: Ask friends, join book clubs, or explore online reviews and recommendations. Author: If you like a particular author, you might enjoy more of their work.
4. How do I take care of Takeuchi Tb1140 Compact Excavator Parts Manual Sn 51400005 And Up books? Storage: Keep them away from direct sunlight and in a dry environment. Handling: Avoid folding pages, use bookmarks, and handle them with clean hands. Cleaning: Gently dust the covers and pages occasionally.
5. Can I borrow books without buying them? Public Libraries: Local libraries offer a wide range of books for borrowing. Book Swaps: Community book exchanges or online platforms where people exchange books.
6. How can I track my reading progress or manage my book collection? Book Tracking Apps: Goodreads, LibraryThing, and Book Catalogue are popular apps for tracking your reading progress and managing book collections. Spreadsheets: You can create your own spreadsheet to track books read, ratings, and other details.
7. What are Takeuchi Tb1140 Compact Excavator Parts Manual Sn 51400005 And Up audiobooks, and where can I find them? Audiobooks: Audio recordings of books, perfect for listening while commuting or multitasking. Platforms: Audible, LibriVox, and Google Play Books offer a wide selection of audiobooks.
8. How do I support authors or the book industry? Buy Books: Purchase books from authors or independent bookstores. Reviews: Leave reviews on platforms like Goodreads or Amazon. Promotion: Share your favorite books on social media or recommend them to friends.
9. Are there book clubs or reading communities I can join? Local Clubs: Check for local book clubs in libraries or community centers. Online Communities: Platforms like Goodreads have virtual book clubs and discussion groups.
10. Can I read Takeuchi Tb1140 Compact Excavator Parts Manual Sn 51400005 And Up books for free? Public Domain Books: Many classic books are available for free as they're in the public domain. Free E-books: Some websites offer free

e-books legally, like Project Gutenberg or Open Library.

Find Takeuchi Tb1140 Compact Excavator Parts Manual Sn 51400005 And Up :

2008 acura tsx repair manual

2007 suzuki sv650 service repair manual

2007 sonata blend door location

2008 crf450r repair manual

2007 volkswagen jetta manual

2008 ap psychology multiple choice answers

2007 toyota yaris owners manual 3

2008 ap computer science multiple choice answers

2007 tahoe quick reference guide navigation

2008 cbr1000rr owners manual

2007 suzuki rm125 2 stroke motorcycle repair manual

2008 ford explorer manual

2007 volvo c30 owners manual instant

2007 toyota rav4 service manual

2007 yamaha royal star venture s midnight combination motorcycle service manual 19992009

Takeuchi Tb1140 Compact Excavator Parts Manual Sn 51400005 And Up :

buy books online from arihant store - Jun 01 2023

web 45 offer price 36 general knowledge 2024 latest edition explore add to cart 135 offer price 108 general knowledge 2024

explore add to cart 225 offer price 180 general knowledge 2024 manohar pandey latest edition explore add to cart 40 offer

price 32 samanya gyan 2024 explore add to cart 110 offer price 88

general knowledge 2022 print replica kindle edition amazon in - Apr 30 2023

web paperback 108 00 2 new from 35 00 1 general knowledge 2021 is a compact version of all current events of the whole

year 2 divided into 5 key sections history geography indian polity indian economy general science and general knowledge 3 a

separate section has been provided for current affairs 4

new arihant general studies pdf 14000 objective questions - Mar 18 2022

web dec 23 2022 the main focus of arihant 14000 objective general knowledge is to crack the hard nut of competitions by improving the knowledge arihant general studies pdf contents the book helps the students to improve their knowledge by providing significant practice material

[buy books online from arihant store](#) - Aug 03 2023

web arihant publications publishes some of the finest textbooks study guides solved paper and practice sets for secondary and higher secondary exams and for every competitive exams in india general knowledge 2024 latest edition 45 offer price 36 46 years iit jee chapterwise

general knowledge 2020 arihant experts google books - Sep 23 2022

web general knowledge is an important section of several competitive exams keeping an updated knowledge of it helps not only in exams but at every aspects of life general knowledge 2020 has

arihant general knowledge 2022 pdf download book by - Feb 14 2022

web jul 7 2022 arihant general knowledge 2022 pdf free download in english hindi general knowledge is an essential part of any competitive exam like upsc banking exam etc arihant gk 2022 pdf is necessary to be good at general knowledge or you can say it is essential to have a good mindset on general knowledge

general knowledge 2021 manohar pandey amazon in books - Mar 30 2023

web replacement 1 general knowledge 2021 is a compact version of all current events of the whole year 2 divided into 5 key sections history geography indian polity indian economy general science and general knowledge 3 a separate section has been provided for current affairs 4 provides accurate perfect and complete coverage of facts

general knowledge 2020 arihant experts google books - Dec 27 2022

web jun 4 2019 general knowledge 2020 arihant experts google books general knowledge 2020 arihant experts arihant publications india limited jun 4 2019 160 pages

arihant gk 2022 pdf free download ssc study - Sep 04 2023

web arihant publications general knowledge 2022 by manhoar pandey ebook pdf for free download this small edition general studies book is very useful for ssc cgl chsl cpo and other competitive exams arihant gk 2022 book contents of arihant gk 2022 book indian history ancient india

download arihant general knowledge 2021 book pdf - Jun 20 2022

web sep 10 2021 download latest arihant general knowledge 2021 book pdf google drive link other e books e books consist of pdfs of the necessary books required for the preparation of the upsc examination our constitution by subhash kashyap pdf download in english laxmikant 6th edition indian polity pdf free download 2020

general knowledge 2024 latest edition arihantbooks com - Oct 05 2023

web arihant s gk books designed by manohar pandey is a must have book that you need to be on the table for fetching good scores covering all the national and international events practice questions along with explanations and current affairs makes it the best current affair books for competitive exams

general knowledge 2020 ebook experts arihant amazon in - Nov 25 2022

web providing accurate perfect and complete coverage of facts it is a complete general knowledge book useful for the preparation of ssc bank railway police nda cds and various other competitive exams toc current affairs history geography indian polity indian economy general science general knowledge read more isbn 13 978

lucent s general knowledge arihant general knowledge 2024 - Jan 28 2023

web explore wide range of general knowledge and arihant general knowledge 2022 from the house of lucent ariahnt available on amazon read more previous page edition 2021st publisher lucent publication arihant publication publication date 1

january 2021 language english dimensions 20 3 x 25 4 x 4 7 cm print length

arihant general knowledge 2021 2 books amazon in - Jul 22 2022

web 1 january 2020 language english see all details customers who bought this item also bought page 1 of 2 general knowledge 2022 old edition manohar pandey 3 275 paperback 5 offers from 164 00 a modern approach to verbal non verbal reasoning includes latest questions and their solutions revised edition english paperback

amazon in arihant gk - Feb 26 2023

web lucent s general knowledge samanya gyaan hindi for 202324 examinations hindi edition by sunil kumar singh best seller in andhra pradesh public service commission appsc lucent s general knowledge arihant general knowledge 2024 set of 2 books by lucent and ariahnt 1 january 2021 4 2 out of 5 stars 1 262

amazon in arihant general knowledge and general awareness - Apr 18 2022

web 1 12 of 66 results for arihant general knowledge and general awareness jeetna hai to jid karo hindi edition by s hundiwalan 4 3 out of 5 stars 2 636 paperback

arihant gk general knowledge 2023 pdf by manohar pandey - Aug 23 2022

web oct 23 2023 arihant gk 2024 pdf by manohar pandey is the most read general knowledge book this is an annuity gk book that provides complete information about most of the topics which are happening around us contents 1 gk book 2024 2 indian history 3 geography 4 indian geography 5 environment and ecology 6 indian

general knowledge 2022 manohar pandey google books - Jul 02 2023

web apr 6 2021 manohar pandey arihant publications india limited apr 6 2021 160 pages 1 general knowledge 2021 is a compact version of all current events of the whole year 2 divided into 5 key sections history geography indian polity indian economy general science and general knowledge 3 a separate section has been provided for current

general knowledge 2020 old edition old edition amazon in - May 20 2022

web general knowledge 2020 has been revised for aspirants preparing for various upcoming exams to enhance their general awareness so that they can tackle the questions asked from numerous areas it covers key subjects including history geography indian polity indian economy general science and general knowledge with latest facts and

general knowledge 2024 manohar pandey latest edition - Oct 25 2022

web samanye gyan 2024 110 offer price 88 arihant s gk books designed by manohar pandey is a must have book that you need to be on the table for fetching good scores covering all the national and international events practice questions along with explanations and current affairs makes it the best current affair books for competitive

sawafuji alternators spare parts berrmantec - Jun 22 2022

web dec 13 2022 understanding the fundamentals of a wiring diagram is the key to unlocking the mysteries behind a genset sawafuji generator this type of generator uses three

wiring diagram genset sawafuji wiringg flow line - Mar 20 2022

okmarts - Jan 30 2023

web sawafuji 1580031 1580 031 replacement generator voltage regulator avr special b brand new c 190 87 top rated seller buy it now dieselgeneratorparts 41 190

sawafuji generator for sale ebay - Oct 27 2022

web grade maintainance grade a built to the highest standards with copper bushing that provides long life and reduction to the wear and tear experienced during the day to day

sawafuji generator parts spares generator guru - Jun 03 2023

web sawafuji generators 73 products available gx100 3 3hp 1 5kw 2kw sawafuji shx2000 digital inverter gasoline generator 800 00 990 00 min order 1 set cn

electric □□□□ - Aug 05 2023

web what is the model of your sawafuji generator if you need assistance av54a0 sh 1800 sh 2600 sh4600ex sh5300ex sh6000dx sh6500exs sh7600ex sort by

hydrogen production □□□□ - May 22 2022

web markon sawafuji bl105 generator repair application generators price 1 250 00 1 2023 eurton electric rewinds armatures field coils other coils rotors and stators for all types

home □□□□ - Oct 07 2023

web products automotie electrical equipment meeting a wide range of needs with world class technology and quality

refrigerators engel high technology and environmental

sawafuji generators motor repair rewinds eurton electric - Apr 01 2023

web rectifier 43756987for 24 42 2 buy sawafuji sh6500exs generator parts now need advice our engineers are always happy to help the leader in portable generator

generator [□□□□](#) - Sep 06 2023

web functions a generator for supplying power to automobiles by generating power through engine rotation as the source of power characteristics long operational life and

elemax generator japan company profile - Jul 04 2023

web sawafuji offers a large variety of generators for several different industries commercial industrial residential rv marine and more eurton rewinds them all eurton electric

elemax generator japan ex series products - May 02 2023

web sawafuji generator set sh15d 12kva brand sawafuji request a quote chat online collect sawafuji generator set sh7000ats brand sawafuji request a

avr automatic voltage regulator sh10 sawafuji generator guru - Jul 24 2022

web sawafuji alternators sawafuji alternator 0 201 172 0710 alternator 02011720710 alternator 020125201414 alternator 02012520412 alternator 0206 102 0211 alternator

sawafuji generator signal generators aliexpress - Sep 25 2022

web sawafuji valeo miscellaneous high performance delstar alternators about delstar 161 series 161 series 12 volt j180 mount 161 series 24 volt j180 mount 161 series 24 volt

sawafuji generators alibaba com - Feb 28 2023

web generac 28488 sawafuji generator mpg6600 manufacturer supplied oem part special order usually ships in 3 5 business days shop generators generac

sawafuji generator parts low fuel consuming and silent - Aug 25 2022

web achieving harmony with society and harmony with nature with sawafuji s hydrogen technology achieved producing 99 999 pure hydrogen from ammonia using plasma

sawafuji alternators sawafuji alternator 0 201 - Apr 20 2022

markon sawafuji generators motor repair rewinds eurton - Feb 16 2022

sawafuji sh6500exs parts and spares generator guru - Dec 29 2022

web looking for sawafuji generator in aliexpress you can also find other good deals on alternative energy generators signal generators electric saw and saw blade keep an

generac 28488 sawafuji generator mpg6600 free - Nov 27 2022

web sawafuji gasoline generator parts automatic voltage regulation avr sht20000 sht16000 sht11500 single phase 220v 8 5 18kw 3 phase 10 00 300 00 min order 10 0

t shirt design maker design a t shirt online for free canva - Aug 08 2023

web customer happiness guarantee create your own t shirt design for your brand organization event or even personal wardrobe start a design from scratch or explore hundreds of ready to print fully customizable templates with canva s free t shirt maker your shirt will be as fun to design as it is fun to wear

8 304 blank t shirt template front back stock photos - May 25 2022

web download blank t shirt template front back stock photos free or royalty free photos and images use them in commercial designs under lifetime perpetual worldwide rights dreamstime is the world s largest stock photography community

free printable customizable t shirt templates canva - Oct 10 2023

web we have front and back t shirt templates so you can be fashion forward from both angles and enough with the standard holiday themed shirts create custom shirt designs and print them in time for your next holiday shindig

text t shirt designs 55 text t shirt ideas in 2023 99designs - Nov 30 2022

web make sure your t shirt doesn t get stuffed in the back of the closet with a custom text t shirt designed just for you by a professional designer need ideas we ve collected some amazing examples of text t shirts created by our global community of designers

front and back tshirt psd freepik - Feb 19 2022

web find download the most popular front and back tshirt psd on freepik free for commercial use high quality images made for creative projects freepik psd

44 best typography t shirt designs cool customizable - Jun 25 2022

web oct 25 2021 if you re looking for cool t shirt text design templates you are in the right place here are the best typography t shirt designs available at placeit

t shirt back images free download on freepik - Mar 23 2022

web you can find download the most popular t shirt back vectors on freepik there are more than 95 000 vectors stock photos psd files remember that these high quality images are free for commercial use

t shirt back psd 9 000 high quality free psd templates for - Jul 07 2023

web find download the most popular t shirt back psd on freepik free for commercial use high quality images made for

creative projects

free custom printable typography t shirt templates canva - Sep 09 2023

web 3 318 templates create a blank typography t shirt colorful modern typography t shirt t shirt by sistec black and white modern the king t shirt t shirt by raytas studio black orange simple typography t shirt t shirt by selectinvert black and white minimalist typography t shirt t shirt by sistec black yellow simple typography t shirt

back tshirt vector images over 8 600 vectorstock - Sep 28 2022

web t shirt front back black t shirt black shirt template blank football shirt template t shirt template red pocket t shirt template green t shirt template back tshirt vectors showing 8 618 royalty free vectors for back tshirt order by best match trending latest layout flexible square of 87

210 results for t shirt back in templates adobe stock - May 05 2023

web create with artist designed t shirt back templates for photoshop illustrator indesign premiere pro and premiere rush save templates with creative cloud libraries adobe stock

free t shirt templates to design online wepik - Mar 03 2023

web here are the main types of t shirt templates staff t shirt templates are pre designed templates specifically tailored for creating uniform or apparel designs for employees and staff members of a business or organization

100 t shirt templates vectors psd mockups free downloads - Jul 27 2022

web sep 12 2019 he is also well versed in enforcing content styles and content strategies for b2b businesses over 100 of the best t shirt templates online updated for 2023 the ultimate resources list for free mockups and t templates in vectors psd and apps

how to create a typographic t shirt design envato tuts - Aug 28 2022

web oct 21 2021 in this adobe photoshop t shirt design tutorial we ll learn to create a typographic t shirt design how to design your own t shirt with type we ll experiment with different fonts touch on some of the principles of

t shirt design templates customizable psds vexels - Jun 06 2023

web design your own t shirt our t shirt templates give you unlimited designs by just editing a few elements create custom unrepeatable t shirts easily 1 download a template 2 change edit 3 watch the magic happen

free custom printable professional t shirt templates canva - Feb 02 2023

web professional professional t shirt templates show some brand love with custom made professional company t shirt designs or for yourself from canva s free high quality templates you can edit and print print from 20 00 skip to end of list all filters skip to start of list 273 templates create a blank professional t shirt

custom t shirts with your individual design spreadshirt - Oct 30 2022

web start by choosing the type of t shirt you want to print on your custom t shirt design and the placement of your design we have a large library of customizable designs if you need inspiration or you can upload your own unique design

[43 best t shirt back mockups using a t shirt mockup generator](#) - Jan 01 2023

web jun 18 2021 check out 43 of the best t shirt back mockup templates from placeit they re all super easy to customise using a simple online tool so there s no need for photoshop or other complicated design software how to make a white t shirt mockup quickly easily 1 go to placeit net mockups search for back of t shirts 2 select

[design t shirts for free with t shirt templates adobe express](#) - Apr 04 2023

web custom t shirt design made easy stand out in a crowd with a one of a kind custom t shirt design your unique style sets you apart so showcase it on your t shirt with the free adobe express t shirt maker app it s easy to take your creative vision and apply it to apparel with no prior design experience needed

[*back writing t shirts unique designs spreadshirt*](#) - Apr 23 2022

web shop back writing t shirts from talented designers at spreadshirt many sizes colors styles get your favorite back writing design today