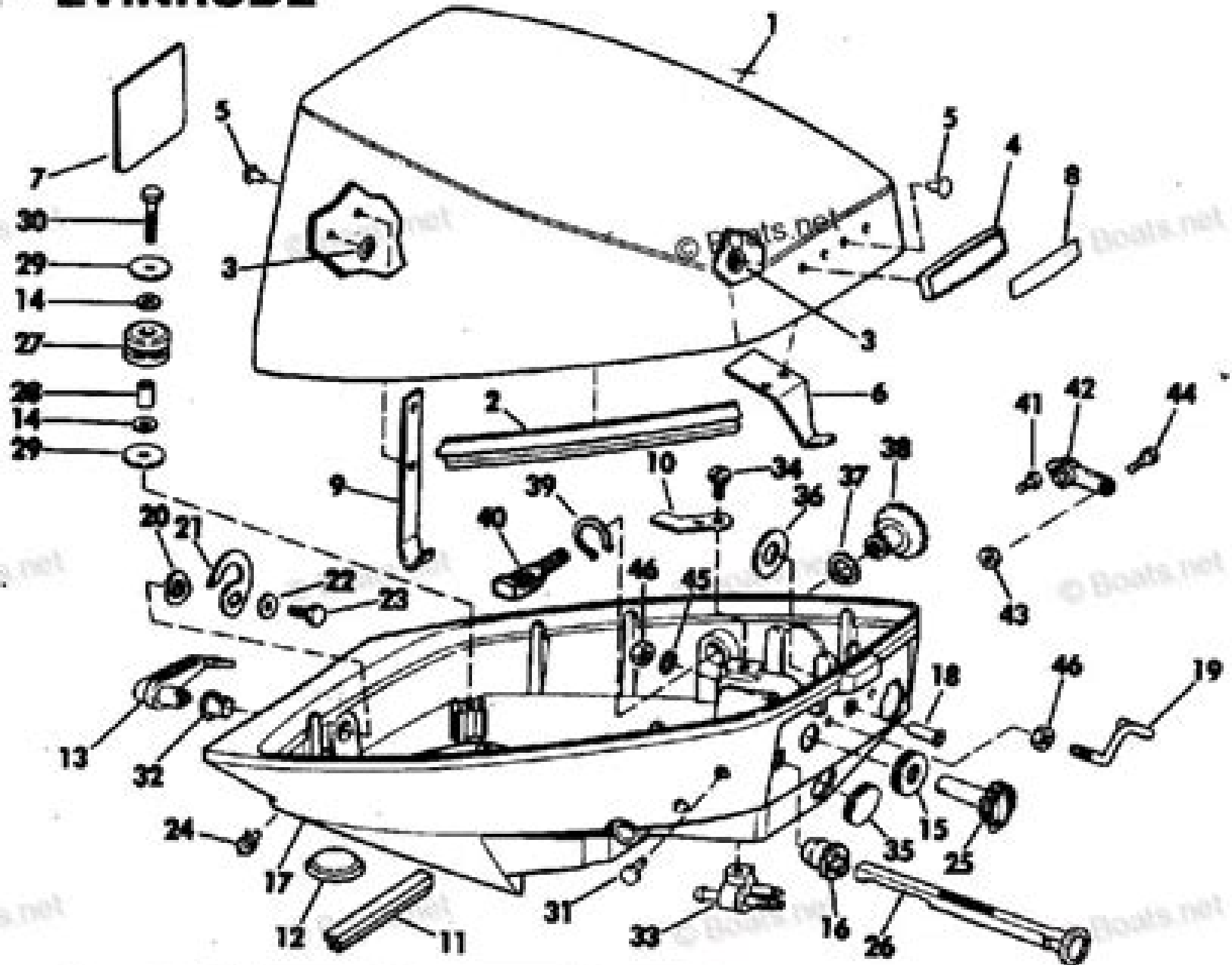


OVER - EVINRUDE



6 Hp Evinrude Fuel Pump Diagrams

D Keegan



6 Hp Evinrude Fuel Pump Diagrams:

Boating ,2007-03 **Boating** ,2006-11 **Boating** ,2007-01 **Marine Engine Parts Tools, Equipment** ,1946
Outboard Motor Service Manual: Motors below 30 hp ,1979 **Bibliography of Scientific and Industrial Reports**
,1946 *MotorBoating* ,1965-01 **Chilton's Repair and Tune-up Guide: Outboard Motors, Under 30 Horsepower**
Chilton Book Company. Automotive Editorial Department,1973 Provides a manual for the proper care of outboard motors
under thirty horsepower made by Chrysler Kiekhaefer Mercury and Outboard Marine Corporation **Popular Mechanics**
,1968-06 Popular Mechanics inspires instructs and influences readers to help them master the modern world Whether it s
practical DIY home improvement tips gadgets and digital technology information on the newest cars or the latest
breakthroughs in science PM is the ultimate guide to our high tech lifestyle **Seloc's Johnson/Evinrude Outboard:**
1971-1985 : 2.0 HP thru 60 HP Clarence W. Coles,Howard U. Young,1989 Chilton's Repair and Tune-up Guide:
Outboard Motors, 30 Horsepower & Over Chilton Book Company. Automotive Editorial Department,1973 Repair and Tune up
Guide **The Rudder** Thomas Fleming Day,1976 *Boats* ,1958 **Outboard Engines** Edwin R. Sherman,1997
Outboard Engines fills the gap between owner s manuals that don t even tell you how to change a spark plug and
professional shop manuals that detail how to do a complete rebuild It covers basic principles and techniques for a wide
variety of outboards four stroke as well as two stroke with the emphasis on maintenance and advanced troubleshooting Ed
Sherman s clear explanations and diagrams take you step by step through the basics and beyond helping you track down
even the most elusive problems a modern outboard can throw in your way his methodical approach can save you a world of
frustration and peril as well as time and a half weekend mechanics charges **Automotive Industries** ,1968 Vols for 1919
include an Annual statistical issue title varies *H. Channon Company Chicago List Price Catalog No. 101* H. Channon
Company,1930 **Yachting** ,1968 *Popular Science* ,1976-01 Popular Science gives our readers the information and
tools to improve their technology and their world The core belief that Popular Science and our readers share The future is
going to be better and science and technology are the driving forces that will help make it better Outboard Motor Service
Manual Intertec Publishing,1987 Detailed tips on periodic servicing troubleshooting general maintenance and repair are
explicitly outlined in this manual Repair is easy with the specifications and step by step repair procedures included for
hundreds of models Volume II covers models with 30hp and above *Atlantic Fisherman* ,1989

Delve into the emotional tapestry woven by Crafted by in **6 Hp Evinrude Fuel Pump Diagrams** . This ebook, available for download in a PDF format (Download in PDF: *), is more than just words on a page; it is a journey of connection and profound emotion. Immerse yourself in narratives that tug at your heartstrings. Download now to experience the pulse of each page and let your emotions run wild.

<https://netdata.business traveller.com/public/scholarship/default.aspx/answers%20for%20chemistry%20benchmark.pdf>

Table of Contents 6 Hp Evinrude Fuel Pump Diagrams

1. Understanding the eBook 6 Hp Evinrude Fuel Pump Diagrams
 - The Rise of Digital Reading 6 Hp Evinrude Fuel Pump Diagrams
 - Advantages of eBooks Over Traditional Books
2. Identifying 6 Hp Evinrude Fuel Pump Diagrams
 - Exploring Different Genres
 - Considering Fiction vs. Non-Fiction
 - Determining Your Reading Goals
3. Choosing the Right eBook Platform
 - Popular eBook Platforms
 - Features to Look for in an 6 Hp Evinrude Fuel Pump Diagrams
 - User-Friendly Interface
4. Exploring eBook Recommendations from 6 Hp Evinrude Fuel Pump Diagrams
 - Personalized Recommendations
 - 6 Hp Evinrude Fuel Pump Diagrams User Reviews and Ratings
 - 6 Hp Evinrude Fuel Pump Diagrams and Bestseller Lists
5. Accessing 6 Hp Evinrude Fuel Pump Diagrams Free and Paid eBooks
 - 6 Hp Evinrude Fuel Pump Diagrams Public Domain eBooks
 - 6 Hp Evinrude Fuel Pump Diagrams eBook Subscription Services
 - 6 Hp Evinrude Fuel Pump Diagrams Budget-Friendly Options

6. Navigating 6 Hp Evinrude Fuel Pump Diagrams eBook Formats
 - ePub, PDF, MOBI, and More
 - 6 Hp Evinrude Fuel Pump Diagrams Compatibility with Devices
 - 6 Hp Evinrude Fuel Pump Diagrams Enhanced eBook Features
7. Enhancing Your Reading Experience
 - Adjustable Fonts and Text Sizes of 6 Hp Evinrude Fuel Pump Diagrams
 - Highlighting and Note-Taking 6 Hp Evinrude Fuel Pump Diagrams
 - Interactive Elements 6 Hp Evinrude Fuel Pump Diagrams
8. Staying Engaged with 6 Hp Evinrude Fuel Pump Diagrams
 - Joining Online Reading Communities
 - Participating in Virtual Book Clubs
 - Following Authors and Publishers 6 Hp Evinrude Fuel Pump Diagrams
9. Balancing eBooks and Physical Books 6 Hp Evinrude Fuel Pump Diagrams
 - Benefits of a Digital Library
 - Creating a Diverse Reading Collection 6 Hp Evinrude Fuel Pump Diagrams
10. Overcoming Reading Challenges
 - Dealing with Digital Eye Strain
 - Minimizing Distractions
 - Managing Screen Time
11. Cultivating a Reading Routine 6 Hp Evinrude Fuel Pump Diagrams
 - Setting Reading Goals 6 Hp Evinrude Fuel Pump Diagrams
 - Carving Out Dedicated Reading Time
12. Sourcing Reliable Information of 6 Hp Evinrude Fuel Pump Diagrams
 - Fact-Checking eBook Content of 6 Hp Evinrude Fuel Pump Diagrams
 - Distinguishing Credible Sources
13. Promoting Lifelong Learning
 - Utilizing eBooks for Skill Development
 - Exploring Educational eBooks
14. Embracing eBook Trends
 - Integration of Multimedia Elements

- Interactive and Gamified eBooks

6 Hp Evinrude Fuel Pump Diagrams Introduction

Free PDF Books and Manuals for Download: Unlocking Knowledge at Your Fingertips In today's fast-paced digital age, obtaining valuable knowledge has become easier than ever. Thanks to the internet, a vast array of books and manuals are now available for free download in PDF format. Whether you are a student, professional, or simply an avid reader, this treasure trove of downloadable resources offers a wealth of information, conveniently accessible anytime, anywhere. The advent of online libraries and platforms dedicated to sharing knowledge has revolutionized the way we consume information. No longer confined to physical libraries or bookstores, readers can now access an extensive collection of digital books and manuals with just a few clicks. These resources, available in PDF, Microsoft Word, and PowerPoint formats, cater to a wide range of interests, including literature, technology, science, history, and much more. One notable platform where you can explore and download free 6 Hp Evinrude Fuel Pump Diagrams PDF books and manuals is the internet's largest free library. Hosted online, this catalog compiles a vast assortment of documents, making it a veritable goldmine of knowledge. With its easy-to-use website interface and customizable PDF generator, this platform offers a user-friendly experience, allowing individuals to effortlessly navigate and access the information they seek. The availability of free PDF books and manuals on this platform demonstrates its commitment to democratizing education and empowering individuals with the tools needed to succeed in their chosen fields. It allows anyone, regardless of their background or financial limitations, to expand their horizons and gain insights from experts in various disciplines. One of the most significant advantages of downloading PDF books and manuals lies in their portability. Unlike physical copies, digital books can be stored and carried on a single device, such as a tablet or smartphone, saving valuable space and weight. This convenience makes it possible for readers to have their entire library at their fingertips, whether they are commuting, traveling, or simply enjoying a lazy afternoon at home. Additionally, digital files are easily searchable, enabling readers to locate specific information within seconds. With a few keystrokes, users can search for keywords, topics, or phrases, making research and finding relevant information a breeze. This efficiency saves time and effort, streamlining the learning process and allowing individuals to focus on extracting the information they need. Furthermore, the availability of free PDF books and manuals fosters a culture of continuous learning. By removing financial barriers, more people can access educational resources and pursue lifelong learning, contributing to personal growth and professional development. This democratization of knowledge promotes intellectual curiosity and empowers individuals to become lifelong learners, promoting progress and innovation in various fields. It is worth noting that while accessing free 6 Hp Evinrude Fuel Pump Diagrams PDF books and manuals is convenient and cost-effective, it is vital to respect copyright laws and intellectual property rights. Platforms offering free downloads often operate within legal

boundaries, ensuring that the materials they provide are either in the public domain or authorized for distribution. By adhering to copyright laws, users can enjoy the benefits of free access to knowledge while supporting the authors and publishers who make these resources available. In conclusion, the availability of 6 Hp Evinrude Fuel Pump Diagrams free PDF books and manuals for download has revolutionized the way we access and consume knowledge. With just a few clicks, individuals can explore a vast collection of resources across different disciplines, all free of charge. This accessibility empowers individuals to become lifelong learners, contributing to personal growth, professional development, and the advancement of society as a whole. So why not unlock a world of knowledge today? Start exploring the vast sea of free PDF books and manuals waiting to be discovered right at your fingertips.

FAQs About 6 Hp Evinrude Fuel Pump Diagrams Books

How do I know which eBook platform is the best for me? Finding the best eBook platform depends on your reading preferences and device compatibility. Research different platforms, read user reviews, and explore their features before making a choice. Are free eBooks of good quality? Yes, many reputable platforms offer high-quality free eBooks, including classics and public domain works. However, make sure to verify the source to ensure the eBook credibility. Can I read eBooks without an eReader? Absolutely! Most eBook platforms offer webbased readers or mobile apps that allow you to read eBooks on your computer, tablet, or smartphone. How do I avoid digital eye strain while reading eBooks? To prevent digital eye strain, take regular breaks, adjust the font size and background color, and ensure proper lighting while reading eBooks. What the advantage of interactive eBooks? Interactive eBooks incorporate multimedia elements, quizzes, and activities, enhancing the reader engagement and providing a more immersive learning experience. 6 Hp Evinrude Fuel Pump Diagrams is one of the best book in our library for free trial. We provide copy of 6 Hp Evinrude Fuel Pump Diagrams in digital format, so the resources that you find are reliable. There are also many Ebooks of related with 6 Hp Evinrude Fuel Pump Diagrams. Where to download 6 Hp Evinrude Fuel Pump Diagrams online for free? Are you looking for 6 Hp Evinrude Fuel Pump Diagrams PDF? This is definitely going to save you time and cash in something you should think about. If you trying to find then search around for online. Without a doubt there are numerous these available and many of them have the freedom. However without doubt you receive whatever you purchase. An alternate way to get ideas is always to check another 6 Hp Evinrude Fuel Pump Diagrams. This method for see exactly what may be included and adopt these ideas to your book. This site will almost certainly help you save time and effort, money and stress. If you are looking for free books then you really should consider finding to assist you try this. Several of 6 Hp Evinrude Fuel Pump Diagrams are for sale to free while some are payable. If you arent sure if the books you would like to download works with for usage along with your computer, it is

possible to download free trials. The free guides make it easy for someone to free access online library for download books to your device. You can get free download on free trial for lots of books categories. Our library is the biggest of these that have literally hundreds of thousands of different products categories represented. You will also see that there are specific sites catered to different product types or categories, brands or niches related with 6 Hp Evinrude Fuel Pump Diagrams. So depending on what exactly you are searching, you will be able to choose e books to suit your own need. Need to access completely for Campbell Biology Seventh Edition book? Access Ebook without any digging. And by having access to our ebook online or by storing it on your computer, you have convenient answers with 6 Hp Evinrude Fuel Pump Diagrams To get started finding 6 Hp Evinrude Fuel Pump Diagrams, you are right to find our website which has a comprehensive collection of books online. Our library is the biggest of these that have literally hundreds of thousands of different products represented. You will also see that there are specific sites catered to different categories or niches related with 6 Hp Evinrude Fuel Pump Diagrams So depending on what exactly you are searching, you will be able to choose ebook to suit your own need. Thank you for reading 6 Hp Evinrude Fuel Pump Diagrams. Maybe you have knowledge that, people have search numerous times for their favorite readings like this 6 Hp Evinrude Fuel Pump Diagrams, but end up in harmful downloads. Rather than reading a good book with a cup of coffee in the afternoon, instead they juggled with some harmful bugs inside their laptop. 6 Hp Evinrude Fuel Pump Diagrams is available in our book collection an online access to it is set as public so you can download it instantly. Our digital library spans in multiple locations, allowing you to get the most less latency time to download any of our books like this one. Merely said, 6 Hp Evinrude Fuel Pump Diagrams is universally compatible with any devices to read.

Find 6 Hp Evinrude Fuel Pump Diagrams :

answers for chemistry benchmark

answer the skeletal system packet 6

[answers for algebra 1 mixed review](#)

[answers for perfection learning](#)

answer sheet for microsoft word plate tectonics

~~answer key to understing symbolic logic~~

[answer key to student exploration covalent bonds](#)

[answers holt physics problem 6b](#)

answer project 5 third edition workbook

answers for lesson 3 1b resource page

answers for instructional fair inc biology if8765 pg 95

answer key to word whiz

answers kinetics worksheet 1

~~answer key viruses guided reading pearson education~~

answers for geography grade final examinations paper 1

6 Hp Evinrude Fuel Pump Diagrams :

adobe photoshop cs4 die workshops fur einsteiger pdf - Jul 17 2023

apr 29 2023 adobe photoshop cs4 die workshops fur einsteiger is available in our digital library an online access to it is set as public so you can get it instantly our digital library hosts

adobe photoshop cs4 die workshops fur einsteiger copy - May 15 2023

adobe photoshop cs4 die workshops fur einsteiger is available in our book collection an online access to it is set as public so you can download it instantly our books collection hosts

adobe photoshop cs4 die workshops fur einsteiger sascha - Aug 06 2022

adobe photoshop cs4 die workshops fur einsteiger getting the books adobe photoshop cs4 die workshops fur einsteiger now is not type of inspiring means you could not only

adobe photoshop cs4 demo erschienen computer bild - Nov 28 2021

gratis download adobe photoshop cs4 profi grafikprogramm kostenlos ausprobieren fast jeder professionelle grafiker benutzt das mächtige programm photoshop von adobe

photoshop cs4 seminar emagister - Sep 07 2022

photoshop cs4 seminare das intelligente bildungsportal das es ihnen erlaubt jegliche art von aus und weiterbildung zum thema photoshop cs4 seminare zu finden die sie suchen ob

adobe photoshop cs4 die workshops für einsteiger by markus - Oct 08 2022

adobe photoshop cs4 die workshops für einsteiger adobe fireworks dobifawks ist ein grafikprogramm das rastergrafiken und vektrafiken bearbeiten und erstellen kann es wird von

adobe photoshop cs4 die workshops für einsteiger amazon de - Sep 19 2023

adobe photoshop cc schritt für schritt zum perfekten bild wer sich die zeit nimmt und das buch durcharbeitet kann sich danach zu den fortgeschrittenen photoshop anwendern

adobe photoshop cs4 die workshops fur einsteiger pdf - Oct 28 2021

aug 15 2023 computer adobe photoshop cs4 die workshops fur einsteiger is manageable in our digital library an online right

of entry to it is set as public in view of that you can

adobe photoshop cs4 die workshops fur einsteiger download - Jun 04 2022

2 adobe photoshop cs4 die workshops fur einsteiger 2023 03 21 concepts and features that will truly make a difference in how you use photoshop every day they ll take you from

adobe photoshop cs4 die workshops fur einsteiger full pdf - Nov 09 2022

on line notice adobe photoshop cs4 die workshops fur einsteiger as with ease as evaluation them wherever you are now

adobe photoshop cs4 die workshops fur

adobe photoshop cs4 der professionelle einstieg broschiert - Feb 12 2023

ein besonderes plus bietet ihnen die dvd hier finden sie alle beispieldateien der über 70 workshops eine 30 tage testversion von photoshop cs4 deutsch mac und windows

adobe photoshop cs4 die workshops fur einsteiger - Dec 30 2021

adobe photoshop cs4 die workshops fur einsteiger smtp ablogtowatch com author lester dennis created date 9 24 2023 5 09 39 am

adobe photoshop cs4 die workshops für einsteiger by markus - Apr 02 2022

if you undertaking to acquire and install the adobe photoshop cs4 die workshops für einsteiger by markus wäger it is completely plain then currently we extend the associate to

adobe photoshop cs4 die grundlagen das video training auf - Dec 10 2022

marc wolf ist ihr persönlicher trainer und führt sie ein in die welt von photoshop cs4 er präsentiert ihnen alle themen die sie als einsteiger interessieren gibt aber auch einen

adobe photoshop cs4 die workshops fur einsteiger download - Mar 13 2023

printing with adobe photoshop cs4 taylor francis this book for windows and mac breaks new ground by doing something for digital photographers that s never been done before it

adobe photoshop cs4 die workshops fur einsteiger pdf - Mar 01 2022

jun 6 2023 adobe photoshop cs4 die workshops fur einsteiger 1 8 downloaded from uniport edu ng on june 6 2023 by guest adobe photoshop cs4 die workshops fur

adobe photoshop cs4 die workshops fur einsteiger full pdf - May 03 2022

adobe photoshop cs4 die workshops fur einsteiger 3 3 adobe photoshop cs6 training manual classroom in a book adobe press the latest book from cengage learning on

adobe photoshop cs4 die workshops für einsteiger by markus - Apr 14 2023

them is this adobe photoshop cs4 die workshops für einsteiger by markus wäger that can be your colleague this adobe

photoshop cs4 die workshops für einsteiger by markus

adobe photoshop cs4 die workshops für einsteiger book - Jan 11 2023

adobe photoshop cs4 die workshops für einsteiger black and white in photoshop cs4 and photoshop lightroom oct 21 2020

this is the essential resource for any photographer

adobe photoshop cs4 die workshops für einsteiger hardcover - Aug 18 2023

adobe photoshop cs4 die workshops für einsteiger 9783836212366 books amazon ca

adobe photoshop cs4 die workshops für einsteiger scott - Jan 31 2022

you want to download and install the adobe photoshop cs4 die workshops für einsteiger it is completely easy then since currently we extend the join to purchase and make bargains to

adobe photoshop cs4 die workshops für einsteiger by markus - Jun 16 2023

this adobe photoshop cs4 die workshops für einsteiger by markus wäger as one of the bulk functioning sellers here will completely be accompanied by the best selections to review if you

[adobe photoshop cs4 die workshops für einsteiger by markus](#) - Jul 05 2022

jun 25 2023 adobe photoshop cs5 one on one mccllelland deke adobe photoshop cc auch für cs6 geeignet die die siedler aufbruch der kulturen offiz lösungsbuch pdf photoshop für

train to pakistan free download borrow and - Oct 10 2023

web may 15 2020 download train to pakistan by khushwant singh in pdf epub format complete free brief summary of book

train to pakistan by khushwant singh here is a

train to pakistan summary gradesaver - Mar 23 2022

train to pakistan khuswant singh free download borrow - Dec 20 2021

train to pakistan by khushwant singh goodreads - Feb 02 2023

web download pdf access full guide study guide summary chapter summaries analyses chapter 1 dacoity chapter 2 kalyug chapter 3 mano majra chapter 4

[train to pakistan pb singh khushwant singh khushwant](#) - May 25 2022

web jul 20 2019 train to pakistan singh khushwant topics epub india collection opensource language english train to pakist addeddate

train to pakistan free download borrow and streaming - Jan 21 2022

[train to pakistan full english books](#) - Mar 03 2023

web dec 8 2017 isbn 9780143065883 length 192 pages mpr 250 00 train to pakistan khushwant singh it is the summer of 1947 but partition does not mean much

[train to pakistan by khushwant singh overdrive](#) - Jun 06 2023

web while fleeing ram lal s house the robbers pass by the home of former robber juggut singh known as the most dangerous man in mano majra and often called jugga one

[the four phases in khuswant singh s novel train to pakistan](#) - Jun 25 2022

web apr 18 2022 train to pakistan addeddate 2022 04 18 12 17 16 identifier train to pakistan 202204 identifier ark ark 13960 s2hnn46ktzx ocr tesseract 5 0 0 1 g862e

download ebook train to pakistan for any device yumpu - Apr 23 2022

[train to pakistan summary and study guide supersummary](#) - Jul 27 2022

web jan 12 2021 train to pakistan an icon used to represent a menu that can be toggled by interacting with this icon

[train to pakistan khushwant singh 1915 2014](#) - Aug 08 2023

web train to pakistan is a historical novel by writer khushwant singh published in 1956 it recounts the partition of india in august 1947 through the perspective of mano majra a

train to pakistan study guide literature guide - Apr 04 2023

web train to pakistan it is the summer of 1947 but partition does not mean much to the sikhs and muslims of mano majra a village on the border of india and pakistan then a

train to pakistan penguin random house india - Aug 28 2022

web apr 17 2023 subtitles train to pakistan subtitles english train to pakistan 1997 hindi web dl 720p plex tv x264 aac esubs by juleyano 1cd eng uploaded 2023

[train to pakistan kushwanth singh free download borrow](#) - Jul 07 2023

web read train to pakistan online free book all chapters no download full english version people began to say that god was punishing them for their sins some of them had good

[train to pakistan by khushwant singh plot summary litcharts](#) - Nov 30 2022

web train to pakistan is the story of the small village of mano majra it starts at the time of partition soon after when the english have left india leaving a broken country in their

[train to pakistan audio download khushwant singh paul](#) - Oct 30 2022

web sep 22 2020 train to pakistan download and read online download ebook pdf ebook epub ebooks download read ebook

epub kindle download book

[train to pakistan wikipedia](#) - May 05 2023

web train to pakistan by khushwant singh first published in 1956 is something of a classic in india but i ran across it quite by accident i m glad i did as it offers a quick and

train to pakistan singh khushwant free download borrow - Nov 18 2021

[pdf epub train to pakistan download oceanofpdf](#) - Sep 09 2023

web jul 17 2018 train to pakistan by kushwanth singh topics train to pakisthan novel patriotic collection opensource language english by kushwanth singh addeddate 2018

train to pakistan punjabi library - Sep 28 2022

web train to pakistan summary this is a story of religious persecution and the aftermath of displacement during the partition of india in 1947 hindus and sikhs were made to move

subtitles train to pakistan subtitles english 1cd srt eng - Feb 19 2022

train to pakistan book by khushwant singh english - Jan 01 2023

web mar 1 2012 the four phases in khuswant singh s novel train to pakistan march 2012 authors saikat banerjee st xavier s college ranchi abstract the partition is perhaps

c hem gu id e q u e s t i o n s naming organic - Mar 18 2023

alcohols ethanol 2 methylpropan 2 ol butan 2 ol but 2 en 1 ol ch₃ch₂ch₂ch₂oh ii ch₃ ch₃ch₂ch₂oh iii ch₃

ch₃ch₂ch₂oh iv ch₃ ch₃ch₂ch₂oh ch₃ 6 aldehydes and ketones draw the structures for the following compounds ethanal

butanone also known as butan 2 one but the 2 is unnecessary and is often left out 2 methylpropanal

organic nomenclature problems michigan state university - Feb 17 2023

question 1 basic hydrocarbon nomenclature part a enter the number of carbons indicated by each of the following root names in the designated answer box part b the line formula for a branched alkane is shown below part c the line formula for another branched alkane is

[2 5 practice alkane nomenclature chemistry libretxts](#) - Jul 10 2022

jan 21 2020 the point of attachment is number one and any other smaller groups are named as substituent groups on the larger group this numbering is independent of the numbering of the parent chain try to name the following compounds

3 organic nomenclature chemistry libretxts - Apr 07 2022

these are the homework exercises to accompany chapter 3 of the textmap for basic principles of organic chemistry roberts

and caserio thumbnail a chemical nomenclature is a set of rules to generate systematic names for chemical compounds

naming organic compounds practice problems with pdf solutions - Aug 23 2023

sep 15 2022 naming organic compounds practice quiz pdf solutions from branched chain alkanes alkene alkynes alcohols carboxylic acids and more mcat and organic chemistry study guides videos cheat sheets tutoring and more

c h e m g u i d e a n s w e r s naming organic compounds 1 - Dec 15 2022

naming organic compounds 1 1 alkanes a i you shouldn't really have got this one wrong unless you made a careless mistake like putting too many or too few hydrogens on the middle carbon if you got it wrong re read the bit about naming alkanes and then look at these questions again ii

2 4 iupac naming of organic compounds with functional groups - Jun 21 2023

dec 16 2021 so the complete name is 5 bromo 7 chloro 6 hydroxy 2 2 5 trimethyl 7 octen 4 one 4 it is not difficult to find the parent structure for this compound which is a cyclic alcohol so the last name is cyclopropanol the naming of the substituent with the benzene ring is

naming organic compounds practice vancouver community - May 20 2023

solutions 1 aromatic compound iodobenzene 2 alkane 3 methylhexane 3 ketone 4 alkane alkyl halide 3 chloro 4 ethyl 2 4 dimethyloctane 5 aromatic compound o diethylbenzene or ortho diethylbenzene 6 alkene 3 methylpentene 7 ester 8 aromatic compound p bromotoluene or para bromotoluene 9 alkyne

an overview of naming organic molecules chemistry libretexts - Apr 19 2023

jan 23 2023 jim clark truro school in cornwall this page explains how to write the formula for an organic compound given its name and vice versa it covers alkanes cycloalkanes alkenes simple compounds containing halogens alcohols aldehydes and ketones

21 e organic chemistry exercises chemistry libretexts - May 08 2022

feb 21 2017 give the complete iupac name for each of the following compounds a b c give the complete iupac name and the common name for each of the following compounds a b c a 1 ethoxybutane butyl ethyl ether b 1 ethoxypropane ethyl propyl ether c 1 methoxypropane methyl propyl ether

organic nomenclature quiz chemquiz net - Sep 24 2023

organic nomenclature quiz this online quiz is intended to give you extra practice in concepts related to introductory organic nomenclature including naming compounds and identifying functional groups from diagrams please note structural isomers are not included in this quiz

3 e organic nomenclature exercises chemistry libretexts - Oct 13 2022

these are the homework exercises to accompany chapter 3 of the textmap for basic principles of organic chemistry roberts

and caserio

orgosolver - Sep 12 2022

simplifying organic chemistry orgosolver provides study tools to help students with their organic chemistry homework and preparation for quizzes exams or even the mcat our tools quizzes and study guides are designed to help students test every reaction or mechanism with any molecule they draw

organic nomenclature orgchem 101 - Jun 09 2022

nomenclature101 com is designed to help you learn organic chemistry nomenclature by creating nomenclature quizzes based on your learning needs the site follows a set of internationally recognized rules for nomenclature established by the international union of pure and applied chemistry iupac

[nomenclature in organic chemistry university of](#) - Aug 11 2022

nomenclatureinorganicchemistry contents introduction hydrocarbons alkanes unbranchedchains unbranchedchains alkenes onedoublebond morethanonedoublebond e zisomersinalkenes alkynes combinedalkenesandalkynes cyclichydrocarbons compoundscontaininghalogensandnitrogroups

organic nomenclature orgchem 101 - Jul 22 2023

nomenclature rules home try a quiz select one of the options below to try a quiz of this level upon selecting an option the corresponding categories to the different levels will be identified please note these categories can be modified in the section create your own quiz level 1 level 2 level 3 randomized create your own quiz

organic chemistry naming practice flashcards quizlet - Mar 06 2022

name this molecule cis 1 2 dimethylcyclopentane name this molecule trans 1 2 dimethylcyclopentane name this molecule trans 1 sec butyl 4 ethylcyclooctane name this molecule study with quizlet and memorize flashcards containing terms like 2 4 dichloro 3 methylpentane 5 tert butylnonane 4 ethyloctane and more

[iupac nomenclature practice problems chemistry steps](#) - Nov 14 2022

this is a set of practice problems on naming organic compounds the examples cover the nomenclature of alkanes bicyclic compounds alkenes alkynes alcohols alkyl halides aromatic compounds aldehydes and ketones amines ethers and carboxylic acid derivatives such as nitriles esters and amides

nomenclature of organic compounds questions byju s - Feb 05 2022

nomenclature of organic compounds chemistry questions with solutions q1 the iupac name of ch 3 cho is ethanal ethanol acetaldehyde acetone answer a the iupac name of ch 3 cho is ethanal q2 the iupac name of ch 3 o c 2 h 5 is methoxy ethane ethoxy ethane methyl ethane ethyl ethane

[2 2 naming organic compounds introductory organic chemistry](#) - Jan 16 2023

1 carbon methane 2 carbons ethane 3 carbons propane 4 carbons butane 5 carbons pentane 6 carbons hexane 7 carbons heptane 8 carbons octane 9 carbons nonane 10 carbons decane while many of these names share a greek root with