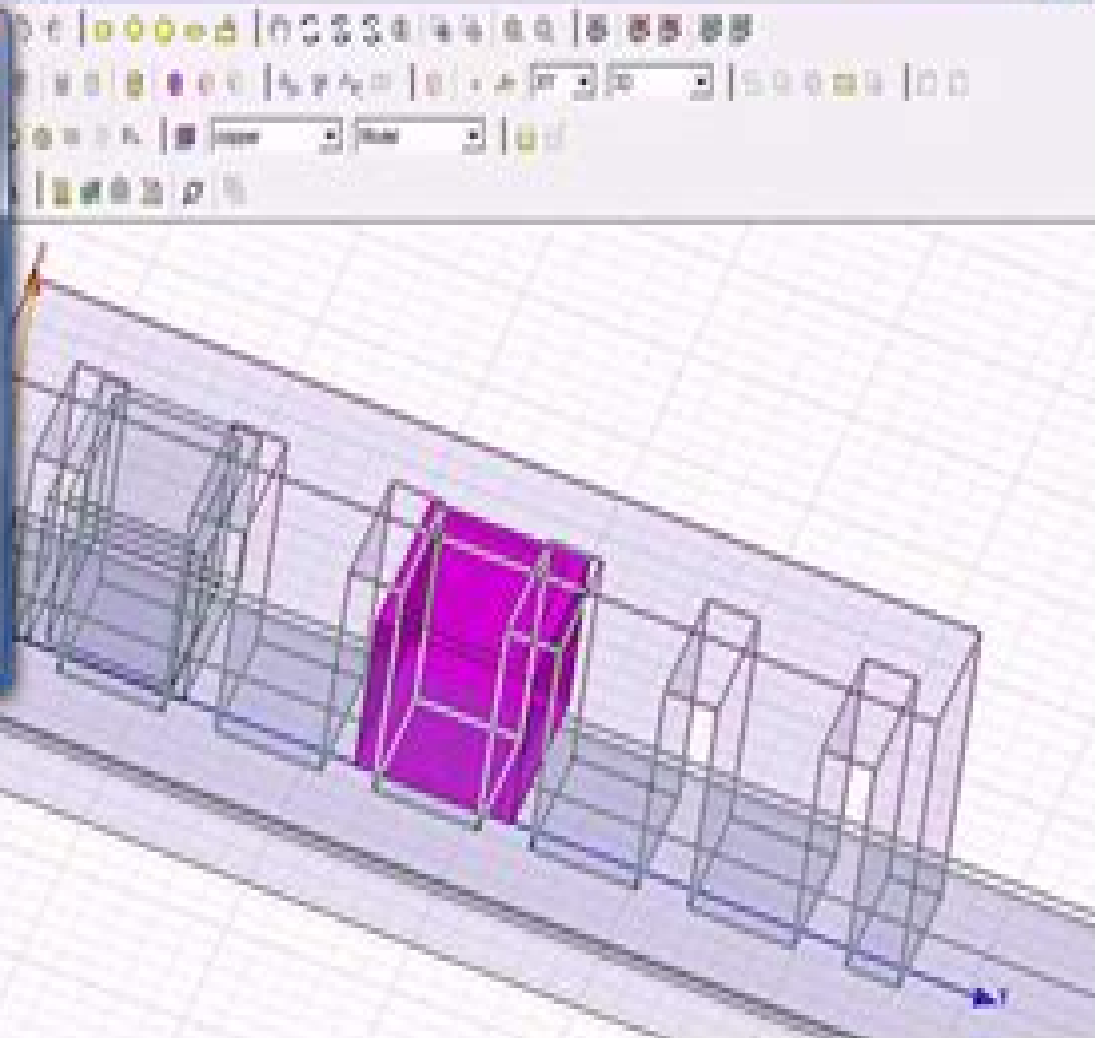


Active View Visibility Invariant - Model (Change) - Model

Location	Features	Subfeatures
3D Model	Color Key	Name
		Name
<input type="checkbox"/>		Body
<input type="checkbox"/>		Body
<input type="checkbox"/>		Body
<input type="checkbox"/>		Flange1
<input type="checkbox"/>		Flange1.1

View:



Name	Color	Style	Material
Body	Red	Wireframe	Steel
Body	Blue	Wireframe	Steel
Body	Green	Wireframe	Steel
Flange1	Yellow	Wireframe	Steel
Flange1.1	Cyan	Wireframe	Steel

Coordinate

Message:

Ansoft Maxwell For Linear Motor

O García



Ansoft Maxwell For Linear Motor:

Manufacturing Science and Technology, ICMST2011 Wu Fan, 2011-11-22 Selected peer reviewed papers from the 2011 International Conference on Manufacturing Science and Technology ICMST 2011 September 16 18 2011 Singapore

Linear Drives for Industry Applications IX Yun Yue Ye, Zi Qiang Zhu, Shao Bo Zhong, 2013-09-10 Selected peer reviewed papers from the 9th International Symposium on Linear Drives for Industry Applications LDIA 2013 July 7 10 2013 Hangzhou China

From Smart City to Smart Factory for Sustainable Future: Conceptual Framework, Scenarios, and Multidiscipline Perspectives Marek Pagac, Jiri Hajnys, Tomasz Koziol, Hoang-Sy Nguyen, Van Dung Nguyen, Akash Nag, 2024-08-30 This volume includes the proceedings of the 2nd International Conference on From Smart City to Smart Factory for a Sustainable Future SCFF24 held at VSB Technical University of Ostrava from May 14 to 16 2024 The conference was organized in collaboration with university and institute partners from Czech Republic Poland India and Vietnam SCFF24 covers a broad range of topics with a particular focus on the application of technologies in Smart Cities and Smart Factories to achieve a Sustainable Future The Conference aims to bring together participants from diverse fields to share their knowledge innovative ideas and solutions to current challenges that hinder progress toward a more modern and sustainable life that we all share In light on this it also serves as a platform for the mutual exchange of experiences and the formation of enduring international collaborations This book offers a comprehensive and multi perspective view providing readers with insights into the latest technological possibilities from voices around the world with the hope of raising awareness and fostering further advancements in these fields

Handbook of Electric Motors Hamid A. Toliyat, Gerald B. Kliman, 2018-10-03 Presenting current issues in electric motor design installation application and performance this second edition serves as the most authoritative and reliable guide to electric motor utilization and assessment in the commercial and industrial sectors Covering topics ranging from motor energy and efficiency to computer aided design and equipment selection this reference assists professionals in all aspects of electric motor maintenance repair and optimization It has been expanded by more than 40 percent to explore the most influential technologies in the field including electronic controls superconducting generators recent analytical tools new computing capabilities and special purpose motors

World Congress on Medical Physics and Biomedical Engineering September 7 - 12, 2009 Munich, Germany Olaf Dössel, Wolfgang C. Schlegel, 2010-01-06 Present Your Research to the World The World Congress 2009 on Medical Physics and Biomedical Engineering the triennial scientific meeting of the IUPESM is the world s leading forum for presenting the results of current scientific work in health related physics and technologies to an international audience With more than 2 800 presentations it will be the biggest conference in the fields of Medical Physics and Biomedical Engineering in 2009 Medical physics biomedical engineering and bioengineering have been driving forces of innovation and progress in medicine and healthcare over the past two decades As new key technologies arise with significant potential to open new options in diagnostics and

therapeutics it is a multidisciplinary task to evaluate their benefit for medicine and healthcare with respect to the quality of performance and therapeutic output Covering key aspects such as information and communication technologies micro and nanosystems optics and biotechnology the congress will serve as an inter and multidisciplinary platform that brings together people from basic research R D industry and medical application to discuss these issues As a major event for science medicine and technology the congress provides a comprehensive overview and in depth first hand information on new developments advanced technologies and current and future applications With this Final Program we would like to give you an overview of the dimension of the congress and invite you to join us in Munich Olaf D ssel Congress President Wolfgang C

1996 Digests of INTERMAG '96 ,1996

Artificial Intelligence and Applied Mathematics in Engineering

Problems D. Jude Hemanth,Utku Kose,2020-01-03 This book features research presented at the 1st International Conference on Artificial Intelligence and Applied Mathematics in Engineering held on 20 22 April 2019 at Antalya Manavgat Turkey In today s world various engineering areas are essential components of technological innovations and effective real world solutions for a better future In this context the book focuses on problems in engineering and discusses research using artificial intelligence and applied mathematics Intended for scientists experts M Sc and Ph D students postdocs and anyone interested in the subjects covered the book can also be used as a reference resource for courses related to artificial intelligence and applied mathematics

Power Transmissions Datong Qin,2016-11-10 This book presents papers from the International Conference on Power Transmissions 2016 held in Chongqing China 27th 30th October 2016 The main objective of this conference is to provide a forum for the most recent advances addressing the challenges in modern mechanical transmissions The conference proceedings address all aspects of gear and power transmission technology and a range of applications The presented papers are catalogued into three main tracks including design simulation and testing materials and manufacturing and industrial applications The design simulation and testing track covers topics such as new methods and designs for all types of transmissions modelling and simulation of power transmissions strength fatigue dynamics and reliability of power transmissions lubrication and sealing technologies and theories and fault diagnosis of power transmissions In the materials and manufacturing track topics include new materials and heat treatment of power transmissions new manufacturing technologies of power transmissions improved tools to predict future demands on production systems new technologies for ecologically sustainable productions and those which preserve natural resources and measuring technologies of power transmissions The proceedings also cover the novel industrial applications of power transmissions in marine aerospace and railway contexts wind turbines the automotive industry construction machinery and robots

Intelligent Robotics and Applications Caihua Xiong,Yongan Huang,Youlun Xiong,2008-10-14 These two volumes constitute the refereed proceedings of the First International Conference on Intelligent Robotics and Applications ICIRA 2008 held in Wuhan China in October 2008 The 265 revised full papers presented were thoroughly reviewed and selected

from 552 submissions they are devoted but not limited to robot motion planning and manipulation robot control cognitive robotics rehabilitation robotics health care and artificial limb robot learning robot vision human machine interaction mobile robotics micro nano mechanical systems manufacturing automation multi axis surface machining realworld applications

A Wide Speed Range Induction Motor Drive Based on Electronic Pole Changing Mohamed Osama E. Mohamed,1997
Machine Design ,2006 *Axial Flux Surface Mounted Permanent Magnet Disc Motors for Smooth Torque Traction Drive Applications* Metin Aydin,2004 Power Transmission Design ,1995 **Advanced Hybrid Vehicle Powertrains 2005** ,2005 *JJAP Letters* ,2001 *1997 Digests of Intermag* IEEE Magnetics Society,1997-03 This text presents papers from the annual INTERMAG conference a forum for engineers and scientists to discuss developments in the field of applied magnetism Topics discussed include transport in spine valves hard magnetism thin film media and ultrathin films 1997 Digests of INTERMAG '97 ,1997 Conference Record, Industry Applications Society, IEEE-IAS Annual Meeting (1981) IEEE Industry Applications Society,1999 *Annual Index/abstracts of Sae Technical Papers, 2000* Society Of Automotive Engineers,2001 Manufacturing Review ,1995

Getting the books **Ansoft Maxwell For Linear Motor** now is not type of challenging means. You could not only going subsequently ebook increase or library or borrowing from your associates to admission them. This is an totally easy means to specifically get lead by on-line. This online declaration Ansoft Maxwell For Linear Motor can be one of the options to accompany you when having new time.

It will not waste your time. understand me, the e-book will definitely melody you supplementary business to read. Just invest tiny become old to log on this on-line pronouncement **Ansoft Maxwell For Linear Motor** as without difficulty as review them wherever you are now.

<https://netdata.businessstraveller.com/public/detail/fetch.php/Sell%20International%20Edition%20Textbooks.pdf>

Table of Contents Ansoft Maxwell For Linear Motor

1. Understanding the eBook Ansoft Maxwell For Linear Motor
 - The Rise of Digital Reading Ansoft Maxwell For Linear Motor
 - Advantages of eBooks Over Traditional Books
2. Identifying Ansoft Maxwell For Linear Motor
 - Exploring Different Genres
 - Considering Fiction vs. Non-Fiction
 - Determining Your Reading Goals
3. Choosing the Right eBook Platform
 - Popular eBook Platforms
 - Features to Look for in an Ansoft Maxwell For Linear Motor
 - User-Friendly Interface
4. Exploring eBook Recommendations from Ansoft Maxwell For Linear Motor
 - Personalized Recommendations
 - Ansoft Maxwell For Linear Motor User Reviews and Ratings
 - Ansoft Maxwell For Linear Motor and Bestseller Lists

5. Accessing Ansoft Maxwell For Linear Motor Free and Paid eBooks
 - Ansoft Maxwell For Linear Motor Public Domain eBooks
 - Ansoft Maxwell For Linear Motor eBook Subscription Services
 - Ansoft Maxwell For Linear Motor Budget-Friendly Options
6. Navigating Ansoft Maxwell For Linear Motor eBook Formats
 - ePub, PDF, MOBI, and More
 - Ansoft Maxwell For Linear Motor Compatibility with Devices
 - Ansoft Maxwell For Linear Motor Enhanced eBook Features
7. Enhancing Your Reading Experience
 - Adjustable Fonts and Text Sizes of Ansoft Maxwell For Linear Motor
 - Highlighting and Note-Taking Ansoft Maxwell For Linear Motor
 - Interactive Elements Ansoft Maxwell For Linear Motor
8. Staying Engaged with Ansoft Maxwell For Linear Motor
 - Joining Online Reading Communities
 - Participating in Virtual Book Clubs
 - Following Authors and Publishers Ansoft Maxwell For Linear Motor
9. Balancing eBooks and Physical Books Ansoft Maxwell For Linear Motor
 - Benefits of a Digital Library
 - Creating a Diverse Reading Collection Ansoft Maxwell For Linear Motor
10. Overcoming Reading Challenges
 - Dealing with Digital Eye Strain
 - Minimizing Distractions
 - Managing Screen Time
11. Cultivating a Reading Routine Ansoft Maxwell For Linear Motor
 - Setting Reading Goals Ansoft Maxwell For Linear Motor
 - Carving Out Dedicated Reading Time
12. Sourcing Reliable Information of Ansoft Maxwell For Linear Motor
 - Fact-Checking eBook Content of Ansoft Maxwell For Linear Motor
 - Distinguishing Credible Sources
13. Promoting Lifelong Learning

- Utilizing eBooks for Skill Development
 - Exploring Educational eBooks
14. Embracing eBook Trends
- Integration of Multimedia Elements
 - Interactive and Gamified eBooks

Ansoft Maxwell For Linear Motor Introduction

Free PDF Books and Manuals for Download: Unlocking Knowledge at Your Fingertips In today's fast-paced digital age, obtaining valuable knowledge has become easier than ever. Thanks to the internet, a vast array of books and manuals are now available for free download in PDF format. Whether you are a student, professional, or simply an avid reader, this treasure trove of downloadable resources offers a wealth of information, conveniently accessible anytime, anywhere. The advent of online libraries and platforms dedicated to sharing knowledge has revolutionized the way we consume information. No longer confined to physical libraries or bookstores, readers can now access an extensive collection of digital books and manuals with just a few clicks. These resources, available in PDF, Microsoft Word, and PowerPoint formats, cater to a wide range of interests, including literature, technology, science, history, and much more. One notable platform where you can explore and download free Ansoft Maxwell For Linear Motor PDF books and manuals is the internet's largest free library. Hosted online, this catalog compiles a vast assortment of documents, making it a veritable goldmine of knowledge. With its easy-to-use website interface and customizable PDF generator, this platform offers a user-friendly experience, allowing individuals to effortlessly navigate and access the information they seek. The availability of free PDF books and manuals on this platform demonstrates its commitment to democratizing education and empowering individuals with the tools needed to succeed in their chosen fields. It allows anyone, regardless of their background or financial limitations, to expand their horizons and gain insights from experts in various disciplines. One of the most significant advantages of downloading PDF books and manuals lies in their portability. Unlike physical copies, digital books can be stored and carried on a single device, such as a tablet or smartphone, saving valuable space and weight. This convenience makes it possible for readers to have their entire library at their fingertips, whether they are commuting, traveling, or simply enjoying a lazy afternoon at home. Additionally, digital files are easily searchable, enabling readers to locate specific information within seconds. With a few keystrokes, users can search for keywords, topics, or phrases, making research and finding relevant information a breeze. This efficiency saves time and effort, streamlining the learning process and allowing individuals to focus on extracting the information they need. Furthermore, the availability of free PDF books and manuals fosters a culture of continuous learning. By removing financial barriers, more people can access educational resources and pursue lifelong learning, contributing to

personal growth and professional development. This democratization of knowledge promotes intellectual curiosity and empowers individuals to become lifelong learners, promoting progress and innovation in various fields. It is worth noting that while accessing free Ansoft Maxwell For Linear Motor PDF books and manuals is convenient and cost-effective, it is vital to respect copyright laws and intellectual property rights. Platforms offering free downloads often operate within legal boundaries, ensuring that the materials they provide are either in the public domain or authorized for distribution. By adhering to copyright laws, users can enjoy the benefits of free access to knowledge while supporting the authors and publishers who make these resources available. In conclusion, the availability of Ansoft Maxwell For Linear Motor free PDF books and manuals for download has revolutionized the way we access and consume knowledge. With just a few clicks, individuals can explore a vast collection of resources across different disciplines, all free of charge. This accessibility empowers individuals to become lifelong learners, contributing to personal growth, professional development, and the advancement of society as a whole. So why not unlock a world of knowledge today? Start exploring the vast sea of free PDF books and manuals waiting to be discovered right at your fingertips.

FAQs About Ansoft Maxwell For Linear Motor Books

How do I know which eBook platform is the best for me? Finding the best eBook platform depends on your reading preferences and device compatibility. Research different platforms, read user reviews, and explore their features before making a choice. Are free eBooks of good quality? Yes, many reputable platforms offer high-quality free eBooks, including classics and public domain works. However, make sure to verify the source to ensure the eBook credibility. Can I read eBooks without an eReader? Absolutely! Most eBook platforms offer webbased readers or mobile apps that allow you to read eBooks on your computer, tablet, or smartphone. How do I avoid digital eye strain while reading eBooks? To prevent digital eye strain, take regular breaks, adjust the font size and background color, and ensure proper lighting while reading eBooks. What the advantage of interactive eBooks? Interactive eBooks incorporate multimedia elements, quizzes, and activities, enhancing the reader engagement and providing a more immersive learning experience. Ansoft Maxwell For Linear Motor is one of the best book in our library for free trial. We provide copy of Ansoft Maxwell For Linear Motor in digital format, so the resources that you find are reliable. There are also many Ebooks of related with Ansoft Maxwell For Linear Motor. Where to download Ansoft Maxwell For Linear Motor online for free? Are you looking for Ansoft Maxwell For Linear Motor PDF? This is definitely going to save you time and cash in something you should think about. If you trying to find then search around for online. Without a doubt there are numerous these available and many of them have the freedom. However without doubt you receive whatever you purchase. An alternate way to get ideas is always to check another Ansoft Maxwell For Linear Motor.

This method for see exactly what may be included and adopt these ideas to your book. This site will almost certainly help you save time and effort, money and stress. If you are looking for free books then you really should consider finding to assist you try this. Several of Ansoft Maxwell For Linear Motor are for sale to free while some are payable. If you arent sure if the books you would like to download works with for usage along with your computer, it is possible to download free trials. The free guides make it easy for someone to free access online library for download books to your device. You can get free download on free trial for lots of books categories. Our library is the biggest of these that have literally hundreds of thousands of different products categories represented. You will also see that there are specific sites catered to different product types or categories, brands or niches related with Ansoft Maxwell For Linear Motor. So depending on what exactly you are searching, you will be able to choose e books to suit your own need. Need to access completely for Campbell Biology Seventh Edition book? Access Ebook without any digging. And by having access to our ebook online or by storing it on your computer, you have convenient answers with Ansoft Maxwell For Linear Motor To get started finding Ansoft Maxwell For Linear Motor, you are right to find our website which has a comprehensive collection of books online. Our library is the biggest of these that have literally hundreds of thousands of different products represented. You will also see that there are specific sites catered to different categories or niches related with Ansoft Maxwell For Linear Motor So depending on what exactly you are searching, you will be able tochoose ebook to suit your own need. Thank you for reading Ansoft Maxwell For Linear Motor. Maybe you have knowledge that, people have search numerous times for their favorite readings like this Ansoft Maxwell For Linear Motor, but end up in harmful downloads. Rather than reading a good book with a cup of coffee in the afternoon, instead they juggled with some harmful bugs inside their laptop. Ansoft Maxwell For Linear Motor is available in our book collection an online access to it is set as public so you can download it instantly. Our digital library spans in multiple locations, allowing you to get the most less latency time to download any of our books like this one. Merely said, Ansoft Maxwell For Linear Motor is universally compatible with any devices to read.

Find Ansoft Maxwell For Linear Motor :

sell international edition textbooks

how to become a successful christian leader

xtrem papers add maths 2013

biology hl paper 2 tzn13

renault twingo manual

essex county massachusetts probate index 16381840 volume ii

aprilia 125 rotax engine 122 service repair manual

[multiple choice sin and cosin law](#)

[aquarius leanership in mining 2015](#)

[panasonic dmp bd80 manual](#)

[ingenuity in a can the ralph stolle story](#)

[trane yhc092e4rla09a0c10002b000 wiring manual](#)

[walther ppk s manual component](#)

[value line dividend select january 2015](#)

[00-05-harley davidson flst fxst softail workshop repair manual](#)

Ansoft Maxwell For Linear Motor :

Applied Mechanics for Engineering Technology Applied Mechanics for Engineering Technology (8th International Edition). Keith M. Walker. Applied Mechanics for Engineering Technology Keith M. ... Keith M. Walker. 543. Index. Page 6. Introduction. OBJECTIVES. Upon ... text,. From Chapter 1 of Applied Mechanics for Engineering Technology Eighth Edition. Applied Mechanics for Engineering Technology (8th ... Walker Applied Mechanics for Engineering Technology (8th International ... Keith M. Walker. Published by Pearson, 2007. International Edition. ISBN 10 ... Applied Mechanics for Engineering Technology - Hardcover Walker, Keith ... Featuring a non-calculus approach, this introduction to applied mechanics book combines a straightforward, readable foundation in underlying ... Applied Mechanics for Engineering Technology 8th Edition ... Walker Applied Mechanics for Engineering Technology (8th Edition)Keith M. ... Walker Doc Applied Mechanics for Engineering Technology (8th Edition) by Keith M. Applied Mechanics for Engineering Technology | Rent Authors: Keith M Walker, Keith Walker ; Full Title: Applied Mechanics for Engineering Technology ; Edition: 8th edition ; ISBN-13: 978-0131721517 ; Format: Hardback. Applied Mechanics for Engineering Technology Featuring a non-calculus approach, this introduction to applied mechanics book combines a straightforward, readable foundation in underlying physics ... Applied Mechanics for Engineering Technology Keith M. Walker. Affiliation. Upper Saddle River ... Instructors of classes using Walker, Applied Mechanics for Engineering Technology, may reproduce material ... Applied Mechanics for Engineering Technology by Keith ... Applied Mechanics for Engineering Technology by Keith Walker (2007, Hardcover) · Buy It Now. Applied Mechanics for Engineering Technology 8e by Keith M. Walker ... Keith M Walker | Get Textbooks Books by Keith Walker. Applied Mechanics for Engineering Technology(8th Edition) The Theory of Stochastic Processes - 1st Edition - D.R. Cox The Theory of Stochastic Processes - 1st Edition - D.R. Cox Amazon.com: The Theory of Stochastic Processes This book provides an introductory account of the mathematical analysis of stochastic processes. It is helpful for statisticians and applied mathematicians ... The Theory of Stochastic Processes - D.R. Cox, H.D. Miller Feb 1, 1977 — This book provides an

introductory account of the mathematical analysis of stochastic processes. It is helpful for statisticians and applied ... The Theory of Stochastic Processes | D.R. Cox by DR Cox · 2017 · Cited by 6212 — The Theory of Stochastic Processes ; By D.R. Cox. Edition 1st Edition ; First Published 1977 ; eBook Published 24 October 2017 ; Pub. Location Boca Raton. DR Cox and HD MILLER, The Theory of Stochastic ... by NU Prabhu · 1966 — Cox and H. D. MILLER, The Theory of Stochastic Processes, Wiley, New York, 1965. x+398 pp, \$11.50. REVIEW BY N. U. PRABHU'. Cornell University. In the preface ... The Theory of Stochastic Processes (Paperback) The Theory of Stochastic Processes (Paperback). By D. R. Cox, H. D. Miller. \$220.00. Usually Ships from Wholesaler in 1-5 Days (This book cannot ... The Theory of Stochastic Processes by David Roxbee Cox David Roxbee Cox, H.D. Miller This book provides an introductory account of the mathematical analysis of stochastic processes. It is helpful for statisticians ... The Theory of Stochastic Processes, Volume 10 The Theory of Stochastic Processes, Volume 10. Front Cover. David Roxbee Cox, Hilton David Miller. Wiley, 1965 - Stochastic processes - 398 pages. Mathematical ... The Theory of Stochastic Processes by Cox, D.R.; Miller, H.D. This book develops the main mathematical techniques useful in analyzing the special processes arising in applications. The reader is assumed to know some ... The Theory of Stochastic Processes. - Hardcover Cox, D. R. & H. D. Miller ... 9780416237603: The Theory of Stochastic Processes. ... "The theory of stochastic processes is concerned with systems which change in ... 1994 Oldsmobile Cutlass Supreme - Owner's Manual This will help you learn about the features and controls for your vehicle. In this manual, you'll find that pictures and words work together to explain things ... 1994 OLDSMOBILE CUTLASS CIERA 3.1L V6 Owners ... RockAuto ships auto parts and body parts from over 300 manufacturers to customers' doors worldwide, all at warehouse prices. Easy to use parts catalog. 1994 Oldsmobile Cutlass Ciera Owners Manual ASIN, B000W1X7VG. Publisher, General Motors (January 1, 1993). Paperback, 0 pages. Item Weight, 9.6 ounces. Best Sellers Rank. 1994 OLDSMOBILE CUTLASS/CIERA CRUISER ... - eBay 1994 OLDSMOBILE CUTLASS/CIERA CRUISER OWNER'S MANUAL ; Year of Publication. 1999 ; Make. Case ; Accurate description. 4.8 ; Reasonable shipping cost. 4.6 ; Shipping ... Oldsmobile Owner's Manual 1994 Cutlass Ciera ... Find many great new & used options and get the best deals for Oldsmobile Owner's Manual 1994 Cutlass Ciera/Cutlass Cruiser OEM at the best online prices at ... 1994 Oldsmobile Cutlass Ciera Owners Manual Book ... 1994 Oldsmobile Cutlass Ciera Owners Manual Book Guide OEM Used Auto Parts. SKU:233852. In stock. We have 1 in stock. Regular price \$ 17.15 Sale. 1994 Oldsmobile Cutlass Ciera - Repair Manual - General A repair manual is a useful tool when maintaining your car. Repair manuals index information like descriptions, diagrams, and service and part replacement ... Oldsmobile Cutlass Ciera Service, Shop & Owner's Manuals Shop for Oldsmobile Cutlass Ciera service manuals, owner's manuals and shop manuals - perfect for repair & maintenance of your Cutlass Ciera. 1994 Oldsmobile Cutlass Ciera Repair Manual Online Factory-Authorized Online 1994 Oldsmobile Cutlass Ciera Repair Manual · Step-by-step factory recommended repair instructions. · Thousands of illustrations and ... Oldsmobile Cutlass Supreme 1994

Owner's Manual View and Download Oldsmobile Cutlass Supreme 1994 owner's manual online. Cutlass Supreme 1994 automobile pdf manual download.