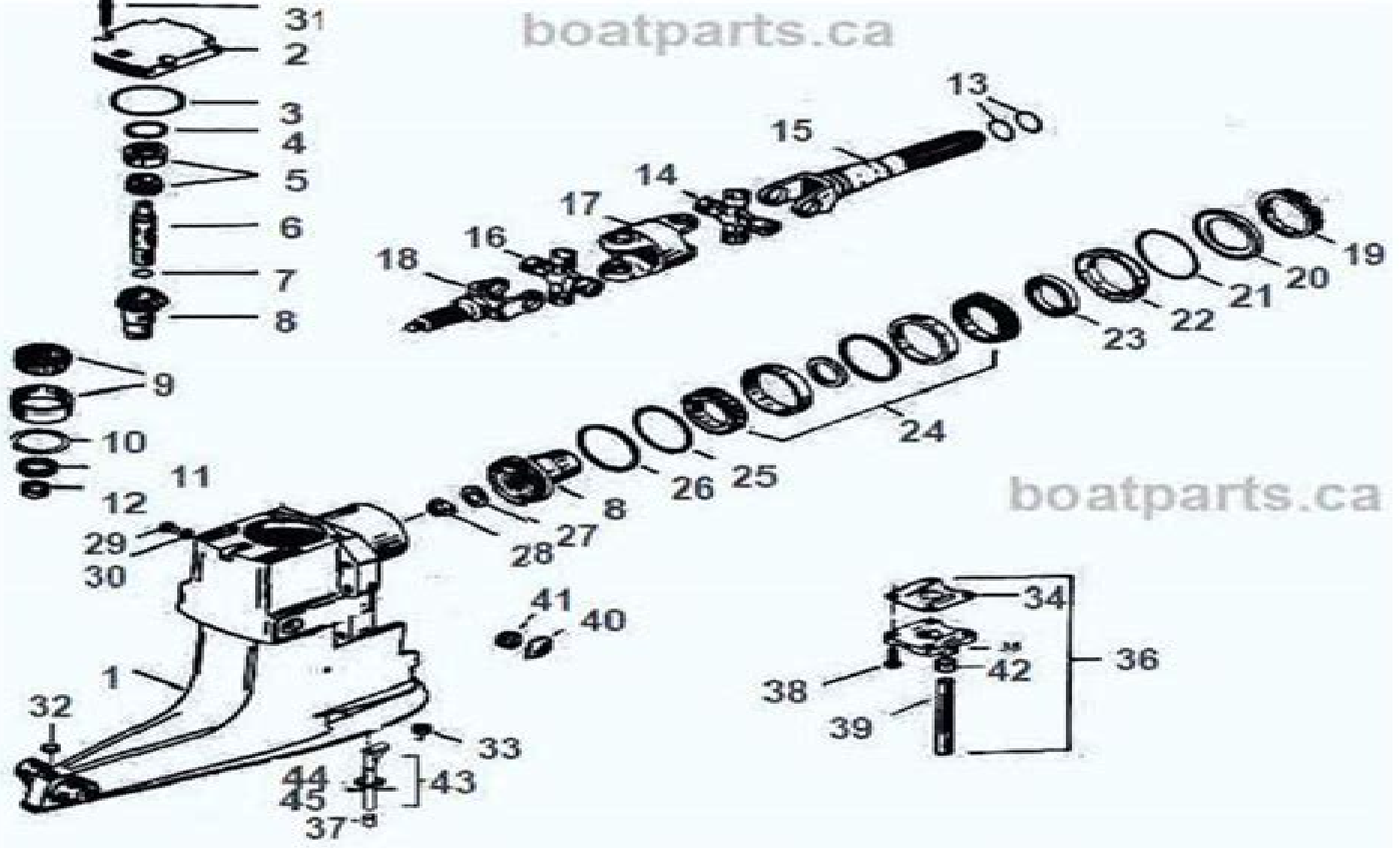


boatparts.ca



boatparts.ca

Mercruiser / Alpha One

boatparts.ca

Mercuriser Alpha One Carburetor Diagram

AN Whitehead



Mercuriser Alpha One Carburetor Diagram:

Dyke's Automobile and Gasoline Engine Encyclopedia Andrew Lee Dyke,1927 **Dyke's Automobile & Gasoline Engine Encyclopedia** Andrew Lee Dyke,1923 *Dyke's Automobile and Gasoline Engine Encyclopedia* Andrew Lee Dyke,1943 McGraw-Hill Encyclopedia of Science and Technology ,1960 **McGraw-Hill Encyclopedia of Science and Technology: A-Z** ,1966 **Ford Field** ,1950 **Encyclopedia of Science and Technology** McGraw-Hill Book Company,1966 **Engineering** ,1932 **Journal of the Aeronautical Sciences** ,1936 **Monthly List of Russian Accessions** Library of Congress. Processing Department,1966-07 *New International Dictionary* ,1920 **Webster's New International Dictionary of the English Language, Based on the International Dictionary 1890 and 1900** William Torrey Harris,Frederic Sturges Allen,1911 Monthly Index of Russian Accessions Library of Congress. Processing Department,1966-08 Monthly Index of Russian Accessions ,1957 Engineering Journal ,1930 **The New Holley Down-draft Marine Carburetor for Marine Engines** ,1923 *A Manual of Motor Mechanics and High Efficiency Tuning ...* L. Mantell,1918 The New Holley Downdraft Marine Carburetor Holley Carburetor Company,1930

Immerse yourself in heartwarming tales of love and emotion with Explore Love with its touching creation, Tender Moments: **Mercruiser Alpha One Carburetor Diagram** . This emotionally charged ebook, available for download in a PDF format (PDF Size: *), is a celebration of love in all its forms. Download now and let the warmth of these stories envelop your heart.

<https://netdata.businessstraveller.com/About/publication/default.aspx/read%20my%20paper%20to%20me.pdf>

Table of Contents Mercruiser Alpha One Carburetor Diagram

1. Understanding the eBook Mercruiser Alpha One Carburetor Diagram
 - The Rise of Digital Reading Mercruiser Alpha One Carburetor Diagram
 - Advantages of eBooks Over Traditional Books
2. Identifying Mercruiser Alpha One Carburetor Diagram
 - Exploring Different Genres
 - Considering Fiction vs. Non-Fiction
 - Determining Your Reading Goals
3. Choosing the Right eBook Platform
 - Popular eBook Platforms
 - Features to Look for in an Mercruiser Alpha One Carburetor Diagram
 - User-Friendly Interface
4. Exploring eBook Recommendations from Mercruiser Alpha One Carburetor Diagram
 - Personalized Recommendations
 - Mercruiser Alpha One Carburetor Diagram User Reviews and Ratings
 - Mercruiser Alpha One Carburetor Diagram and Bestseller Lists
5. Accessing Mercruiser Alpha One Carburetor Diagram Free and Paid eBooks
 - Mercruiser Alpha One Carburetor Diagram Public Domain eBooks
 - Mercruiser Alpha One Carburetor Diagram eBook Subscription Services
 - Mercruiser Alpha One Carburetor Diagram Budget-Friendly Options
6. Navigating Mercruiser Alpha One Carburetor Diagram eBook Formats

- ePub, PDF, MOBI, and More
 - Mer Cruiser Alpha One Carburetor Diagram Compatibility with Devices
 - Mer Cruiser Alpha One Carburetor Diagram Enhanced eBook Features
7. Enhancing Your Reading Experience
 - Adjustable Fonts and Text Sizes of Mer Cruiser Alpha One Carburetor Diagram
 - Highlighting and Note-Taking Mer Cruiser Alpha One Carburetor Diagram
 - Interactive Elements Mer Cruiser Alpha One Carburetor Diagram
 8. Staying Engaged with Mer Cruiser Alpha One Carburetor Diagram
 - Joining Online Reading Communities
 - Participating in Virtual Book Clubs
 - Following Authors and Publishers Mer Cruiser Alpha One Carburetor Diagram
 9. Balancing eBooks and Physical Books Mer Cruiser Alpha One Carburetor Diagram
 - Benefits of a Digital Library
 - Creating a Diverse Reading Collection Mer Cruiser Alpha One Carburetor Diagram
 10. Overcoming Reading Challenges
 - Dealing with Digital Eye Strain
 - Minimizing Distractions
 - Managing Screen Time
 11. Cultivating a Reading Routine Mer Cruiser Alpha One Carburetor Diagram
 - Setting Reading Goals Mer Cruiser Alpha One Carburetor Diagram
 - Carving Out Dedicated Reading Time
 12. Sourcing Reliable Information of Mer Cruiser Alpha One Carburetor Diagram
 - Fact-Checking eBook Content of Mer Cruiser Alpha One Carburetor Diagram
 - Distinguishing Credible Sources
 13. Promoting Lifelong Learning
 - Utilizing eBooks for Skill Development
 - Exploring Educational eBooks
 14. Embracing eBook Trends
 - Integration of Multimedia Elements
 - Interactive and Gamified eBooks

MerCruiser Alpha One Carburetor Diagram Introduction

In today's digital age, the availability of MerCruiser Alpha One Carburetor Diagram books and manuals for download has revolutionized the way we access information. Gone are the days of physically flipping through pages and carrying heavy textbooks or manuals. With just a few clicks, we can now access a wealth of knowledge from the comfort of our own homes or on the go. This article will explore the advantages of MerCruiser Alpha One Carburetor Diagram books and manuals for download, along with some popular platforms that offer these resources. One of the significant advantages of MerCruiser Alpha One Carburetor Diagram books and manuals for download is the cost-saving aspect. Traditional books and manuals can be costly, especially if you need to purchase several of them for educational or professional purposes. By accessing MerCruiser Alpha One Carburetor Diagram versions, you eliminate the need to spend money on physical copies. This not only saves you money but also reduces the environmental impact associated with book production and transportation.

Furthermore, MerCruiser Alpha One Carburetor Diagram books and manuals for download are incredibly convenient. With just a computer or smartphone and an internet connection, you can access a vast library of resources on any subject imaginable. Whether you're a student looking for textbooks, a professional seeking industry-specific manuals, or someone interested in self-improvement, these digital resources provide an efficient and accessible means of acquiring knowledge. Moreover, PDF books and manuals offer a range of benefits compared to other digital formats. PDF files are designed to retain their formatting regardless of the device used to open them. This ensures that the content appears exactly as intended by the author, with no loss of formatting or missing graphics. Additionally, PDF files can be easily annotated, bookmarked, and searched for specific terms, making them highly practical for studying or referencing. When it comes to accessing MerCruiser Alpha One Carburetor Diagram books and manuals, several platforms offer an extensive collection of resources. One such platform is Project Gutenberg, a nonprofit organization that provides over 60,000 free eBooks. These books are primarily in the public domain, meaning they can be freely distributed and downloaded. Project Gutenberg offers a wide range of classic literature, making it an excellent resource for literature enthusiasts. Another popular platform for MerCruiser Alpha One Carburetor Diagram books and manuals is Open Library. Open Library is an initiative of the Internet Archive, a non-profit organization dedicated to digitizing cultural artifacts and making them accessible to the public. Open Library hosts millions of books, including both public domain works and contemporary titles. It also allows users to borrow digital copies of certain books for a limited period, similar to a library lending system. Additionally, many universities and educational institutions have their own digital libraries that provide free access to PDF books and manuals. These libraries often offer academic texts, research papers, and technical manuals, making them invaluable resources for students and researchers. Some notable examples include MIT OpenCourseWare, which offers free access to course materials from the Massachusetts Institute of Technology, and the Digital Public Library of America, which provides a vast collection of digitized books and

historical documents. In conclusion, MerCruiser Alpha One Carburetor Diagram books and manuals for download have transformed the way we access information. They provide a cost-effective and convenient means of acquiring knowledge, offering the ability to access a vast library of resources at our fingertips. With platforms like Project Gutenberg, Open Library, and various digital libraries offered by educational institutions, we have access to an ever-expanding collection of books and manuals. Whether for educational, professional, or personal purposes, these digital resources serve as valuable tools for continuous learning and self-improvement. So why not take advantage of the vast world of MerCruiser Alpha One Carburetor Diagram books and manuals for download and embark on your journey of knowledge?

FAQs About MerCruiser Alpha One Carburetor Diagram Books

How do I know which eBook platform is the best for me? Finding the best eBook platform depends on your reading preferences and device compatibility. Research different platforms, read user reviews, and explore their features before making a choice. Are free eBooks of good quality? Yes, many reputable platforms offer high-quality free eBooks, including classics and public domain works. However, make sure to verify the source to ensure the eBook credibility. Can I read eBooks without an eReader? Absolutely! Most eBook platforms offer webbased readers or mobile apps that allow you to read eBooks on your computer, tablet, or smartphone. How do I avoid digital eye strain while reading eBooks? To prevent digital eye strain, take regular breaks, adjust the font size and background color, and ensure proper lighting while reading eBooks. What the advantage of interactive eBooks? Interactive eBooks incorporate multimedia elements, quizzes, and activities, enhancing the reader engagement and providing a more immersive learning experience. MerCruiser Alpha One Carburetor Diagram is one of the best book in our library for free trial. We provide copy of MerCruiser Alpha One Carburetor Diagram in digital format, so the resources that you find are reliable. There are also many Ebooks of related with MerCruiser Alpha One Carburetor Diagram. Where to download MerCruiser Alpha One Carburetor Diagram online for free? Are you looking for MerCruiser Alpha One Carburetor Diagram PDF? This is definitely going to save you time and cash in something you should think about. If you trying to find then search around for online. Without a doubt there are numerous these available and many of them have the freedom. However without doubt you receive whatever you purchase. An alternate way to get ideas is always to check another MerCruiser Alpha One Carburetor Diagram. This method for see exactly what may be included and adopt these ideas to your book. This site will almost certainly help you save time and effort, money and stress. If you are looking for free books then you really should consider finding to assist you try this. Several of MerCruiser Alpha One Carburetor Diagram are for sale to free while some are payable. If you arent sure if the books you would like to download works with for usage along with your computer, it is possible to download free trials. The free guides make it easy for

someone to free access online library for download books to your device. You can get free download on free trial for lots of books categories. Our library is the biggest of these that have literally hundreds of thousands of different products categories represented. You will also see that there are specific sites catered to different product types or categories, brands or niches related with Mercuriser Alpha One Carburetor Diagram. So depending on what exactly you are searching, you will be able to choose e books to suit your own need. Need to access completely for Campbell Biology Seventh Edition book? Access Ebook without any digging. And by having access to our ebook online or by storing it on your computer, you have convenient answers with Mercuriser Alpha One Carburetor Diagram To get started finding Mercuriser Alpha One Carburetor Diagram, you are right to find our website which has a comprehensive collection of books online. Our library is the biggest of these that have literally hundreds of thousands of different products represented. You will also see that there are specific sites catered to different categories or niches related with Mercuriser Alpha One Carburetor Diagram So depending on what exactly you are searching, you will be able to choose ebook to suit your own need. Thank you for reading Mercuriser Alpha One Carburetor Diagram. Maybe you have knowledge that, people have search numerous times for their favorite readings like this Mercuriser Alpha One Carburetor Diagram, but end up in harmful downloads. Rather than reading a good book with a cup of coffee in the afternoon, instead they juggled with some harmful bugs inside their laptop. Mercuriser Alpha One Carburetor Diagram is available in our book collection an online access to it is set as public so you can download it instantly. Our digital library spans in multiple locations, allowing you to get the most less latency time to download any of our books like this one. Merely said, Mercuriser Alpha One Carburetor Diagram is universally compatible with any devices to read.

Find Mercuriser Alpha One Carburetor Diagram :

[read my paper to me](#)

[case 8312 operations manual](#)

[volvo penta starter engine d1 13 manual](#)

here come the coeds

osha questions and answers guide

[1996 sebring owners manual](#)

toyota land cruiser prado kzj95r repair manual

[year 5 comprehension books](#)

quizlet ap biology guide answers

ingenuous subjection compliance and power in the eighteenth-century domestic novel

[instructors resource manual context 3e](#)

~~modern biology study guide answer key answers~~

~~2014 exams exemplar for maths grade 11~~

~~mitsubishi l200 parts manual 4d56~~

~~oniria genesis ferran xalabarder~~

Mercedes-Benz Alpha One Carburetor Diagram :

Repair manuals - Mercedes Benz W638 w638-change-rear-brake-discs.pdf, w638-benz-obdii-dtc.pdf, w638-mercedes-vito.pdf, w638-electric-wiring-diagram-part1.pdf, w638-reparatur-anleitung-vito.pdf ... Mercedes Benz W638 The Viano is available in both rear- and four-wheel-drive configurations and comes in three lengths, two wheelbases and a choice of four petrol and diesel ... Mercedes-Benz Vito 108 CDI generation W638, Manual, 5- ... Specifications for Mercedes-Benz Vito 108 CDI generation W638, Manual, 5-speed 82ps, · Engine & Performance · Dimensions & Weight · Exterior · Interior. Mercedes Vito W638 Manual Pdf Mercedes Vito W638 Manual. Pdf. INTRODUCTION Mercedes Vito W638. Manual Pdf [PDF] Repair Manuals & Literature for Mercedes-Benz Vito Get the best deals on Repair Manuals & Literature for Mercedes-Benz Vito when you shop the largest online selection at eBay.com. Free shipping on many items ... MERCEDES-BENZ Vito Van (W638): repair guide MERCEDES-BENZ Vito Van (W638) maintenance and PDF repair manuals with illustrations. VITO Box (638) 108 CDI 2.2 (638.094) workshop manual online. How to ... Mercedes vito 638 user manual Sep 24, 2015 — Aug 24, 2016 - Mercedes Vito W638 Manual - Pdfdocuments.com Mercedes Vito W638 Manual.pdf ... Universal emulator UNIEMU user manual 1. Mercedes Vito 638 Owners Manual Mercedes Vito Workshop Manual Pdf - Synthetic Lawn Perth WA rom psx digimon world 3 FREE MERCEDES VITO MANUAL. mercedes c180 repair manual Vito W638 Manual ... Mercedes Vito W638 Manual Pdf Mercedes Vito W638 Manual Pdf. INTRODUCTION Mercedes Vito W638 Manual Pdf (Download Only) English Mercedes vito 1995-2002 Repair manual Apr 9, 2012 — Description:Mercedes Vito 1995-2002 - manual repair, maintenance and operation of the vehicle. The guide provides detailed specifications of all ... Driver Air Bag Module Service Manual 09 Ford Fusion Driver Air Bag Module Service Manual 09 Ford Fusion pdf download online full. Read it. Save. Read it. Save. More like this. the fuel oil purifier manual. 2009 Air Bag SRS Fuses Nov 26, 2014 — I am attempting to repair the Airbag system on my 2009 Fusion following an accident. The driver airbag and the driver seat belt tensioner ... 2009 Ford: SE...I need to replace the Air Bag control Module May 15, 2011 — I have a 2009 Ford Fusion SE. Car has been in a major accident. I need to replace the Air Bag control Module. Where is it located? User manual Ford Fusion (2009) (English - 312 pages) Manual. View the manual for the Ford Fusion (2009) here, for free. This manual comes under the category cars and has been rated by 6 people with an average ... Table of Contents - IIS Windows Server (25 cm) between an occupant's chest and the driver airbag module. WARNING: Never place your arm over the airbag module as a deploying airbag can result in ... Ford

Fusion SRS RCM Airbag Module Reset (Restraint ... This service is for an airbag module reset after your vehicle was in accident. This is a repair and return service for Ford Fusion SRS RCM Airbag Module ... Programming new Ford blank airbag srs control modules or ... Ford Fusion 2012 - 2019 RCM Airbag Module Location & ... Aug 22, 2021 — How to remove Ford Fusion RCM airbag restraint control module & seat belt pretensioners. Vehicle in the video is Ford Fusion 2012 - 2019. Airbag light question Jan 28, 2010 — The car is an 09 S manual that has less than eight k on it. I have only been in one bad wreck that caused the whole front and rear bumper covers ... Biologi til tiden Biologi til tiden. 2. udgave. Til biologi C skrevet til 2005-reformen. Forfattere: Lone Als Egebo Biologi til tiden Biologi til tiden. Lydbog med tekst. Afspil. MP3, Daisy. Download · Åbn i appen. Spilletid: 10 timer 53 minutter. Bognummer: 630515. Indlæsningsår: 2015. Nota ... Biologi til tiden by Lone Als Egebo Biologi til tiden. Lone Als Egebo. 3.50. 2 ratings1 review ... Download app for Android. © 2023 Goodreads, Inc. Biologi Til Tiden | PDF Download as PDF, TXT or read online from Scribd. Flag for inappropriate content. Download now. SaveSave Biologi Til Tiden (5) For Later. 0 ratings0% found this ... Biologi Til Tiden s.36-40 PDF Biologi_til_tiden_s.36-40.pdf - Free download as PDF File (.pdf) or read online for free. Biologi til tiden | Noter Dette er vores noter til en del af afsnittene i bogen "Biologi til tiden". Klik på indholdsfortegnelse links for at komme videre til vores egne noter om ... Biologi Til Tiden [PDF] [6m5ilg61il00] Biology · Biologi Til Tiden [PDF]. Includes. Multiple formats; No login requirement; Instant download; Verified by our users. Biologi Til Tiden [PDF]. Authors: ... Biologi i fokus Biologi i fokus · Download i RIS-format (til fx Mendeley, Zotero, EndNote) · Download til RefWorks · Download til EndNoteWeb. Biologi C noter fra Biologi til tiden - Downloadet fra ... Biologi C Noter downloadet fra opgaver.com indholdsfortegnelse kulstofskredsløbet cellens opgning respiration fotosyntese forholdet mellem fotosyntese og.