

ii·PRO

micro™
S
XC

Installation Guide

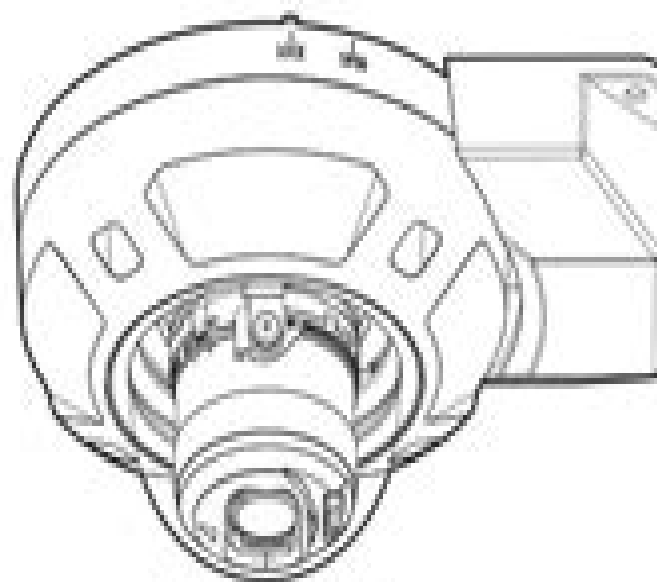
Included Installation Instructions

Network Camera

For professional use only

Outdoor use

Model No. WV-S2536LTN
WV-S2536LT
WV-S2536LN
WV-S2536L



WV-S2536LTN

2536 Camera Manual

B Lingard



2536 Camera Manual:

Revised and illustrated catalogue of apparatus for technical instruction and manual training schools Rigg's technical education appliances, ltd,1889 The Shock and Vibration Digest ,1988 Engine Structures ,1988

80C186EC/80C188EC Microprocessor User's Manual ,1995 **NASA Technical Memorandum** ,1988

Hazardous Materials Reference Book Daniel J. Davis,Julie A. Davis,2006-01-23 This one stop reference gives firefighters and emergency response personnel immediate access to the page number where chemical data on nearly 1 000 substances can be located in 13 of the most frequently used references It speeds up research time by alphabetizing chemicals by name and with UN NA numbers **Aeronautical Engineering** ,1984 A selection of annotated references to unclassified reports and journal articles that were introduced into the NASA scientific and technical information system and announced in Scientific and technical aerospace reports STAR and International aerospace abstracts IAA **Catalogue of Title-entries of Books and Other Articles Entered in the Office of the Librarian of Congress, at Washington, Under the Copyright Law ... Wherein the Copyright Has Been Completed by the Deposit of Two Copies in the Office** Library of Congress. Copyright Office,1978 **NASA SP.** ,1984 **Government Reports Annual Index** ,1981 Sections 1 2 Keyword Index Section 3 Personal author index Section 4 Corporate author index Section 5 Contract grant number index NTIS order report number index 1 E Section 6 NTIS order report number index F Z *Poor's Manual of Industrials* ,1916 **Moody's Industrial Manual** ,1930 **Books and Pamphlets, Including Serials and Contributions to Periodicals** Library of Congress. Copyright Office,1977 *Bowker's Complete Video Directory 2001* ,2001 Catalog of Copyright Entries. Third Series Library of Congress. Copyright Office,1977 **Poor's Manual of Industrials; Manufacturing, Mining and Miscellaneous Companies** ,1916 **Moody's Manual of Investments** John Sherman Porter,1930 American government securities 1928 53 in 5 annual vols v 1 Railroad securities 1952 53 Transportation v 2 Industrial securities v 3 Public utility securities v 4 Government securities 1928 54 v 5 Banks insurance companies investment trusts real estate finance and credit companies 1928 54 **International Conference on Bond Graph Modeling, January 17-20, 1993, Hyatt Regency La Jolla, La Jolla, California** José Joaquin Granda,François E. Cellier,1993 Bulletin Enoch Pratt Free Library of Baltimore City,1895 **Documentation Abstracts** ,1987

Unveiling the Magic of Words: A Overview of "**2536 Camera Manual**"

In a global defined by information and interconnectivity, the enchanting power of words has acquired unparalleled significance. Their ability to kindle emotions, provoke contemplation, and ignite transformative change is actually awe-inspiring. Enter the realm of "**2536 Camera Manual**," a mesmerizing literary masterpiece penned by way of a distinguished author, guiding readers on a profound journey to unravel the secrets and potential hidden within every word. In this critique, we shall delve in to the book is central themes, examine its distinctive writing style, and assess its profound impact on the souls of its readers.

https://netdata.businesstraveller.com/public/publication/Download_PDFS/Sociological%20Autobiography%20Essay%20Example.pdf

Table of Contents 2536 Camera Manual

1. Understanding the eBook 2536 Camera Manual
 - The Rise of Digital Reading 2536 Camera Manual
 - Advantages of eBooks Over Traditional Books
2. Identifying 2536 Camera Manual
 - Exploring Different Genres
 - Considering Fiction vs. Non-Fiction
 - Determining Your Reading Goals
3. Choosing the Right eBook Platform
 - Popular eBook Platforms
 - Features to Look for in an 2536 Camera Manual
 - User-Friendly Interface
4. Exploring eBook Recommendations from 2536 Camera Manual
 - Personalized Recommendations
 - 2536 Camera Manual User Reviews and Ratings

- 2536 Camera Manual and Bestseller Lists
- 5. Accessing 2536 Camera Manual Free and Paid eBooks
 - 2536 Camera Manual Public Domain eBooks
 - 2536 Camera Manual eBook Subscription Services
 - 2536 Camera Manual Budget-Friendly Options
- 6. Navigating 2536 Camera Manual eBook Formats
 - ePub, PDF, MOBI, and More
 - 2536 Camera Manual Compatibility with Devices
 - 2536 Camera Manual Enhanced eBook Features
- 7. Enhancing Your Reading Experience
 - Adjustable Fonts and Text Sizes of 2536 Camera Manual
 - Highlighting and Note-Taking 2536 Camera Manual
 - Interactive Elements 2536 Camera Manual
- 8. Staying Engaged with 2536 Camera Manual
 - Joining Online Reading Communities
 - Participating in Virtual Book Clubs
 - Following Authors and Publishers 2536 Camera Manual
- 9. Balancing eBooks and Physical Books 2536 Camera Manual
 - Benefits of a Digital Library
 - Creating a Diverse Reading Collection 2536 Camera Manual
- 10. Overcoming Reading Challenges
 - Dealing with Digital Eye Strain
 - Minimizing Distractions
 - Managing Screen Time
- 11. Cultivating a Reading Routine 2536 Camera Manual
 - Setting Reading Goals 2536 Camera Manual
 - Carving Out Dedicated Reading Time
- 12. Sourcing Reliable Information of 2536 Camera Manual
 - Fact-Checking eBook Content of 2536 Camera Manual
 - Distinguishing Credible Sources

13. Promoting Lifelong Learning
 - Utilizing eBooks for Skill Development
 - Exploring Educational eBooks
14. Embracing eBook Trends
 - Integration of Multimedia Elements
 - Interactive and Gamified eBooks

2536 Camera Manual Introduction

Free PDF Books and Manuals for Download: Unlocking Knowledge at Your Fingertips In today's fast-paced digital age, obtaining valuable knowledge has become easier than ever. Thanks to the internet, a vast array of books and manuals are now available for free download in PDF format. Whether you are a student, professional, or simply an avid reader, this treasure trove of downloadable resources offers a wealth of information, conveniently accessible anytime, anywhere. The advent of online libraries and platforms dedicated to sharing knowledge has revolutionized the way we consume information. No longer confined to physical libraries or bookstores, readers can now access an extensive collection of digital books and manuals with just a few clicks. These resources, available in PDF, Microsoft Word, and PowerPoint formats, cater to a wide range of interests, including literature, technology, science, history, and much more. One notable platform where you can explore and download free 2536 Camera Manual PDF books and manuals is the internet's largest free library. Hosted online, this catalog compiles a vast assortment of documents, making it a veritable goldmine of knowledge. With its easy-to-use website interface and customizable PDF generator, this platform offers a user-friendly experience, allowing individuals to effortlessly navigate and access the information they seek. The availability of free PDF books and manuals on this platform demonstrates its commitment to democratizing education and empowering individuals with the tools needed to succeed in their chosen fields. It allows anyone, regardless of their background or financial limitations, to expand their horizons and gain insights from experts in various disciplines. One of the most significant advantages of downloading PDF books and manuals lies in their portability. Unlike physical copies, digital books can be stored and carried on a single device, such as a tablet or smartphone, saving valuable space and weight. This convenience makes it possible for readers to have their entire library at their fingertips, whether they are commuting, traveling, or simply enjoying a lazy afternoon at home. Additionally, digital files are easily searchable, enabling readers to locate specific information within seconds. With a few keystrokes, users can search for keywords, topics, or phrases, making research and finding relevant information a breeze. This efficiency saves time and effort, streamlining the learning process and allowing individuals to focus on extracting the information they need. Furthermore, the availability of free PDF books and manuals fosters a culture of continuous learning. By removing

financial barriers, more people can access educational resources and pursue lifelong learning, contributing to personal growth and professional development. This democratization of knowledge promotes intellectual curiosity and empowers individuals to become lifelong learners, promoting progress and innovation in various fields. It is worth noting that while accessing free 2536 Camera Manual PDF books and manuals is convenient and cost-effective, it is vital to respect copyright laws and intellectual property rights. Platforms offering free downloads often operate within legal boundaries, ensuring that the materials they provide are either in the public domain or authorized for distribution. By adhering to copyright laws, users can enjoy the benefits of free access to knowledge while supporting the authors and publishers who make these resources available. In conclusion, the availability of 2536 Camera Manual free PDF books and manuals for download has revolutionized the way we access and consume knowledge. With just a few clicks, individuals can explore a vast collection of resources across different disciplines, all free of charge. This accessibility empowers individuals to become lifelong learners, contributing to personal growth, professional development, and the advancement of society as a whole. So why not unlock a world of knowledge today? Start exploring the vast sea of free PDF books and manuals waiting to be discovered right at your fingertips.

FAQs About 2536 Camera Manual Books

How do I know which eBook platform is the best for me? Finding the best eBook platform depends on your reading preferences and device compatibility. Research different platforms, read user reviews, and explore their features before making a choice. Are free eBooks of good quality? Yes, many reputable platforms offer high-quality free eBooks, including classics and public domain works. However, make sure to verify the source to ensure the eBook credibility. Can I read eBooks without an eReader? Absolutely! Most eBook platforms offer web-based readers or mobile apps that allow you to read eBooks on your computer, tablet, or smartphone. How do I avoid digital eye strain while reading eBooks? To prevent digital eye strain, take regular breaks, adjust the font size and background color, and ensure proper lighting while reading eBooks. What the advantage of interactive eBooks? Interactive eBooks incorporate multimedia elements, quizzes, and activities, enhancing the reader engagement and providing a more immersive learning experience. 2536 Camera Manual is one of the best book in our library for free trial. We provide copy of 2536 Camera Manual in digital format, so the resources that you find are reliable. There are also many Ebooks of related with 2536 Camera Manual. Where to download 2536 Camera Manual online for free? Are you looking for 2536 Camera Manual PDF? This is definitely going to save you time and cash in something you should think about.

Find 2536 Camera Manual :

[sociological autobiography essay example](#)

[zoology question paper of hsc 14 in bd](#)

xtreme atv 125 manual

[osha quick reference guide](#)

voltas ac remote guide

[france since 1945](#)

[envy and other works](#)

[network products guide hot companies](#)

toyota land cruiser prado kzj95r manual

[20kia manual sportage](#)

[personality theories workbook 5th edition ashcraft answers](#)

interface between innate and acquired immunity

case 8230 repair manual

read mitsubishi fuso canter fb fe fg

[case 821c operators manual](#)

2536 Camera Manual :

PALS Provider eCard and Online Exam | AHA - ShopCPR The Exam measures the mastery of cognitive knowledge gained from the PALS Course and is administered by the Instructor at the conclusion of the PALS Course. AHA PALS FINAL EXAM 2022 Flashcards A healthcare provider is performing a primary assessment of a child in respiratory distress. The provider documents increased work of breathing when which ... AHA PALS Exam Questions answered 2022.pdf View AHA PALS Exam Questions (answered) 2022.pdf from PSYCHOLOGY 444 at Chamberlain College of Nursing. AHA PALS Exam Questions & Answers Fall 2021/2022. AHA Pediatric Advanced Life Support (PALS) Practice Test ... PALS Study Guide 2020 Guidelines PALS Written Exam. The ACLS Provider exam is 50 multiple-choice questions, with a required passing score is 84%. All AHA exams are now. "open resource" which ... Pals updated final exam answered Pals updated final exam and answer pals updated final exam (all questions answered) child being evaluated in the pediatric intensive care unit displays the. PALS Written Exam Version A | PDF PALS Written Exam Version A - Free download as PDF File (.pdf) or read online for free. Pediatric Advanced Life Support Written Exam Version A. I just took ... PALS Precourse Self-Assessment The PALS Precourse

Self-Assessment is an online tool that evaluates a student's knowledge before the course to determine their proficiency and identify any need ... PALS Final exam PALS Final exam. Which one do we put an IO in? Extremities with slow capillary refill time. A 2-week-old infant presents with irritability and not feeding. PALS practice test library Prepare for AHA PALS Today! Full PALS access starting at \$19.95. Gain instant access to all of the practice tests, megacode scenarios, and knowledge base. Parts Manual | BS62Y - Item: 0007655, REV000 READ COMPLETE DESCRIPTION BEFORE ORDERING PARTS BASED ON THIS MANUAL ***. This BS62Y parts manual is for reference only; Your BS62Y Jumping Jack rammer may ... Parts Manual | BS62Y - Item: 0007510, REV000 READ COMPLETE DESCRIPTION BEFORE ORDERING PARTS BASED ON THIS MANUAL ***. This BS62Y parts manual is for reference only; Your BS62Y Jumping Jack rammer may ... Genuine Parts and Service Wacker Neuson dealers provide genuine, engineering approved spare parts for all machines manufactured or marketed by Wacker Neuson. Find a dealer Operator & ... Wacker BS62Y Jumping Jack Rammer Parts Catalog ... Wacker BS62Y Jumping Jack Rammer Parts Catalog Owner Operator Maintenance Manual ; Time left. 4h 20m4 hours 20 minutes ; Est. delivery. Thu, Dec 21 - Wed, Dec 27. Wacker Neuson parts catalog Shop our Wacker Neuson parts catalog and keep your fleet in top condition. Browse our selection of OEM fuel filters, seal kits, switches, and more. Wacker Neuson BS60-2i Compactor Rammer Keep a copy of the Operator's Manual with the machine at all times. □. Use the separate Parts Book supplied with the machine to order replacement parts. □. BS50-2, BS50-2i BS60-2, BS60-2i BS70-2, BS70-2i BS65-V The illustrations, parts, and procedures in this manual refer to Wacker Neuson factory-installed components. Your machine may vary depending on the. Wacker BS52Y Parts Guide Disc for Wacker Starter WM80 Engine - Genuine Part - 0047997. £3.66 £3.05. ADD. Protection Hose for Wacker Neuson BS50-2, BS70-2i ... Wacker Neuson Parts Lookup - Online OEM Parts Catalog Order from our online catalog of Wacker Neuson parts easily at TMS. Get the OEM replacement parts your business needs with same-day shipping on most items. Wacker Neuson BS60-2i Compactor Rammer Use the separate Parts Book supplied with the machine to order replacement parts. □. Refer to the separate Repair Manual for detailed instructions on servicing ... Instructor's Solution Manual Introduction to ... Feb 18, 2019 — Page 1. Instructor's Solution Manual. Introduction to Electrodynamics. Fourth Edition. David J. Griffiths. 2014. Page 2. 2. Contents. 1 Vector ... Griffiths Electrodynamics Solutions Manual PDF Problem Full Solutions Manual PDF solution from Introduction to Electrodynamics by David J. Griffiths. Electrodynamics Griffiths Solution Jul 19, 2019 — Instructor's Solutions Manual Introduction to Electrodynamics, 3rd ed Author: David Griffiths ... Griffiths solution, Electrodynamics solution. Introduction To Electrodynamics 4th Edition Textbook ... Access Introduction to Electrodynamics 4th Edition solutions now. Our solutions are written by Chegg experts so you can be assured of the highest quality! Introduction to Electrodynamics - 4th Edition Find step-by-step solutions and answers to Introduction to Electrodynamics - 9780321856562, as well as thousands of textbooks so you can move forward with ... Griffiths Electrodynamics Solutions | PDF J. J. Sakurai, Jim J. Napolitano-Instructor's Solutions

Manual to Modern Quantum Mechanics (2nd Edition)-Pearson (2010). Prashant Chauhan. Introduction to electrodynamics. Instructor's Solution Manual Book overview. This work offers accessible coverage of the fundamentals of electrodynamics, enhanced with with discussion points, examples and exercises. Introduction to Electrodynamics -- Instructor's Solutions ... Introduction to graph theory: solutions manual 9789812771759, 9812771751. This is a companion to the book Introduction to Graph Theory (World Scientific, ... Introduction To Electrodynamics Solution Manual Our interactive player makes it easy to find solutions to Introduction to Electrodynamics problems you're working on - just go to the chapter for your book. Hit ... Intro. Electrodynamics Griffiths 4th ed. Solutions Manual Intro. Electrodynamics Griffiths 4th ed. Solutions Manual. In the almighty world that is reddit I figured that at least one of you may know ...